

**Oak Park**  
**Outdoor/Indoor**  
 Left and or Right Sconce  
 1270

Project Name \_\_\_\_\_

Fixture Type \_\_\_\_\_

Quantity \_\_\_\_\_

Norwell | Lighting

I L E X

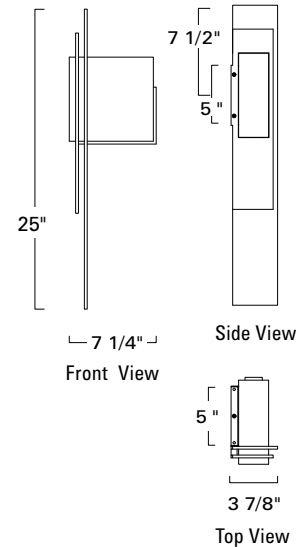
Custom Metalcraft



Oak Park  
 Bracket left  
 1270-MB-AC

Oak Park  
 Bracket right  
 1270-MB-AC

1270



LED

Product Name / Model / Dimensions				Finish Options	Diffuser	Lamping Options
Oak Park Sconce - 1270				Standard Matte Black / MB	Standard Acrylic / AC	Standard LED 175 lm emitted, 3000K CCT, 90 CRI, 7 Watts, 120v, ELV & Triac Dimming
Height	Width	Projection	TTO*			
25"	7.1/4"	3.7/8"	7 1/2"			
Backplate 5" H X 5" W						

Wet Location, Outdoor Rated and UL/ETL Listed, \*Top of fixture to center point of junction box.

1-2022

**DISCLAIMER:**

Norwell Lighting and its companies, ILEX Architectural Lighting and Custom Metalcraft reserve the right to change specifications related to its product at anytime. USA Made indicates product is manufactured in East Taunton, Massachusetts facility. Phone: 508-823-1751