

Nodes Small Pivot Wall

KW1021 | 1.0

GENERATION LIGHTING

Wall

GENERAL PRODUCT INFORMATION:

These fixtures are intended to be installed utilizing NEC compliant junction boxes.

This product is safety listed for damp locations.

Incandescent lamps may be dimmed with a standard incandescent dimmer. LED lamps may be dimmed with a LED dimmer. Consult lamp manufacturer for additional information.

These instructions show a typical installation.

CAUTION - RISK OF FIRE
This product must be installed in accordance with the applicable installation code by a person familiar with the construction and operation of the product and the hazards involved.
Use minimum 90°c supply conductors.

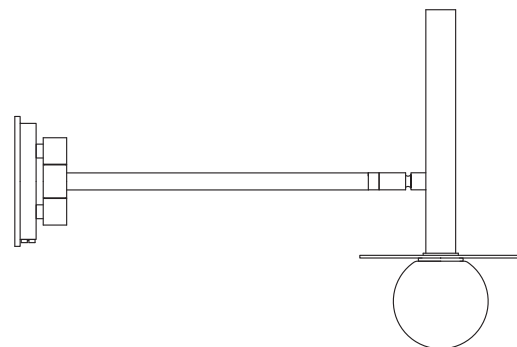
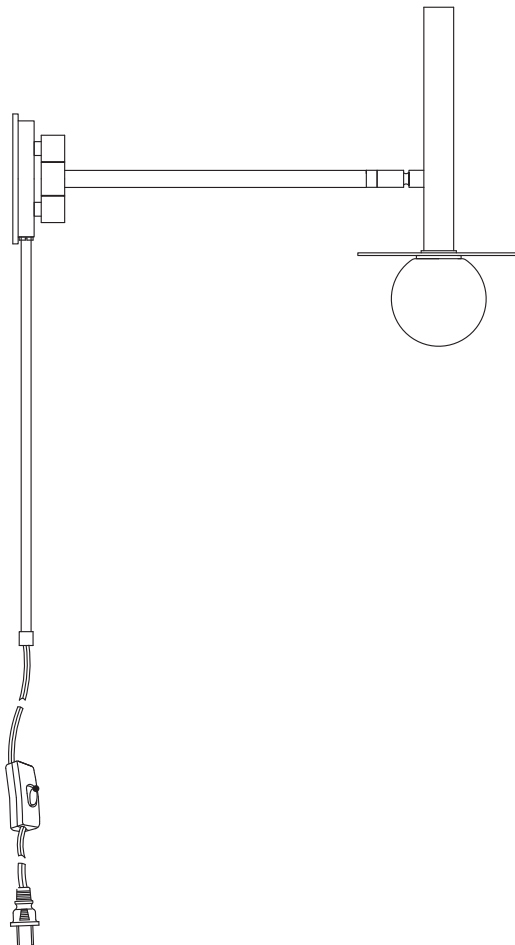
GENERATION LIGHTING

7400 Linder Ave, Skokie, IL 160077

800.969.3347

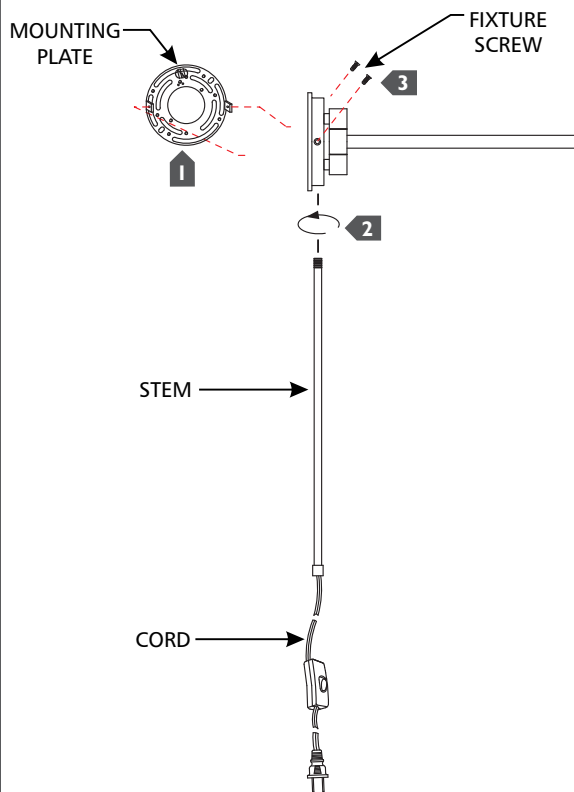
www.generationlighting.com

© 2019 Generation Lighting. All rights reserved.
The "Generation Lighting" graphic is a registered trademark of Generation Lighting. Generation Lighting reserves the right to change specifications for product improvements without notification.

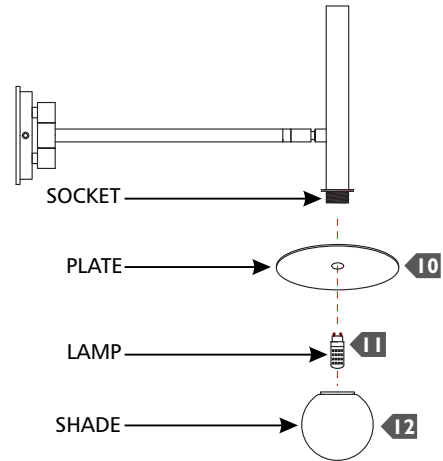
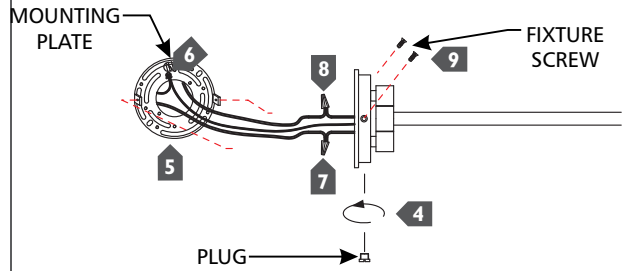


SAVE THESE INSTRUCTIONS!

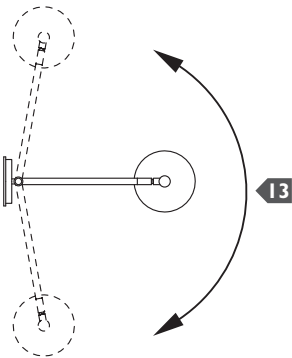
IA PLUG IN POWER CORD MOUNTING



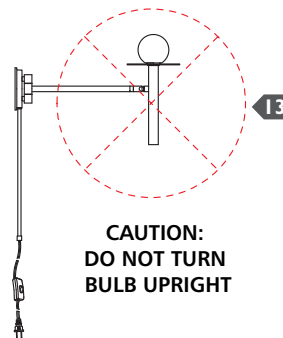
JUNCTION BOX POWER MOUNTING



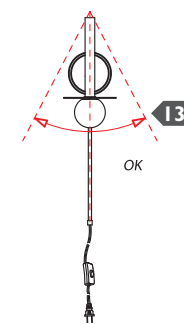
TOP VIEW



SIDE VIEW



FRONT VIEW



- 1 **Plug in cord mounting:** (for junction box power mounting skip to step 4) properly secure the mounting plate to the wall or junction box.
- 2 Screw the stem onto the fixture base.
- 3 Secure the fixture to the mounting plate with the fixture screws. Skip to step 10
- 4 **Junction box power mounting:** disconnect the cord wires from the fixture wires by removing the wire nuts, carefully pull the cord out of the fixture, then close the cord hole by screwing the provided plug.
- 5 Secure the mounting plate to the junction box.
- 6 Connect the fixture ground wire to a suitable ground in accordance with local electrical codes.
- 7 Connect the white fixture wire to the neutral power line wire with a wire nut.
- 8 Connect the black fixture wire to the hot power line wire with a wire nut.
- 9 Mount the fixture onto the mounting plate and secure it in place with the fixture screws.
- 10 Screw the plate onto the socket.
- 11 Install the lamp by pushing the lamp pins completely into the socket holes. Refer to the label on the socket for Max Wattage Information.
- 12 Install the shade by screwing it onto the socket
- 13 Adjust the fixture arm to the desired position, see diagram for adjustability limitations .