

NORMA

Mario Barbaglia

LED and halogen wall lamps with widespread light. Tube diffuser in sandblasted Pyrex or in opal metacrylate (LED), mounted on a glossy polished aluminium structure.



10" LED

LAMPING

Source	LED BOARD
Total power	20W
Emission	DIFFUSED
Tension	120V
Color temperature	3000K
Luminous flux	1800lm (luminous output)
Typ CRI	85
Energy class	A+
IP class	20
Dimensions	9.8" x 4.2" x 5.5"
Materials	aluminum + pmma
Notes	horizontal and vertical mounting
Net lamp weight	4 lbs

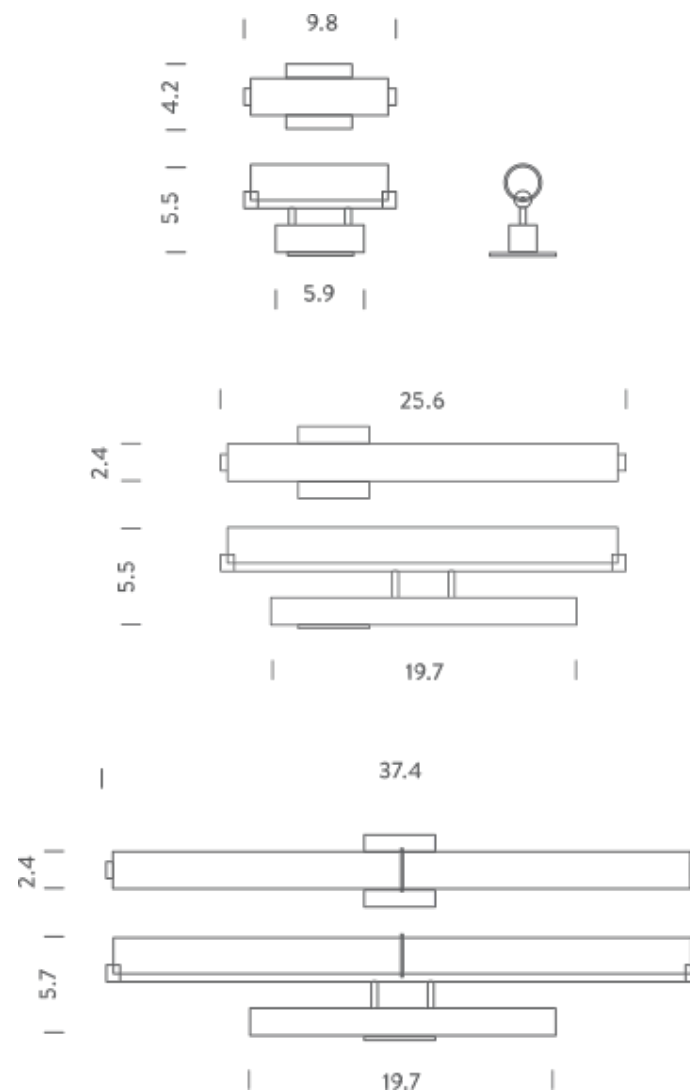
Codes
NOR LLW 35

Structure/Diffuser
chrome/white

PACKAGE

Package 01 Dimension: 14.6" x 14.6" x 5.5" inches / Net weight: 5,5 lbs

Certificazioni



25" LED

LAMPING

Source	LED BOARD
Total power	17,5W
Emission	DIFFUSED
Switching	Dimmable 0-10V
Tension	120V
Color temperature	3000K
Luminous flux	1444lm (luminous output)
Typ CRI	85
Energy class	A+
IP class	20
Dimensions	25.6" x 5.5" x 2.4"
Materials	aluminum + pmma
Notes	horizontal and vertical mounting
Net lamp weight	6,6 lbs

Codes

NOR LLW 32

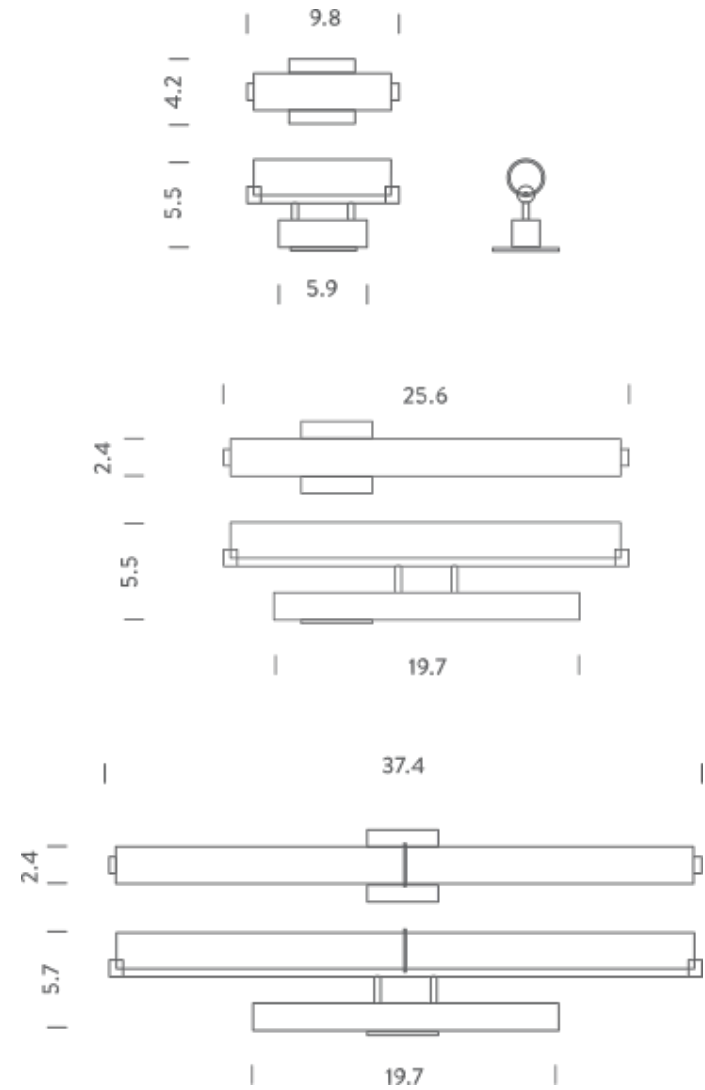
Structure/Diffuser

chrome/white

PACKAGE

Package 01

Dimension: 13.8" x 29.5" x 5.9" inches / Net weight: 8,8 lbs



37" LED

LAMPING

Source	LED BOARD
Total power	27W
Emission	DIFFUSED
Switching	Dimmable 0-10V
Tension	120V
Color temperature	3000K
Luminous flux	2400lm (luminous output)
Typ CRI	85
Energy class	A+
IP class	20
Dimensions	37.4" x 5.7" x 2.4"
Materials	aluminum + pmma
Notes	horizontal and vertical mounting
Net lamp weight	11 lbs

Codes

NOR LLW 33

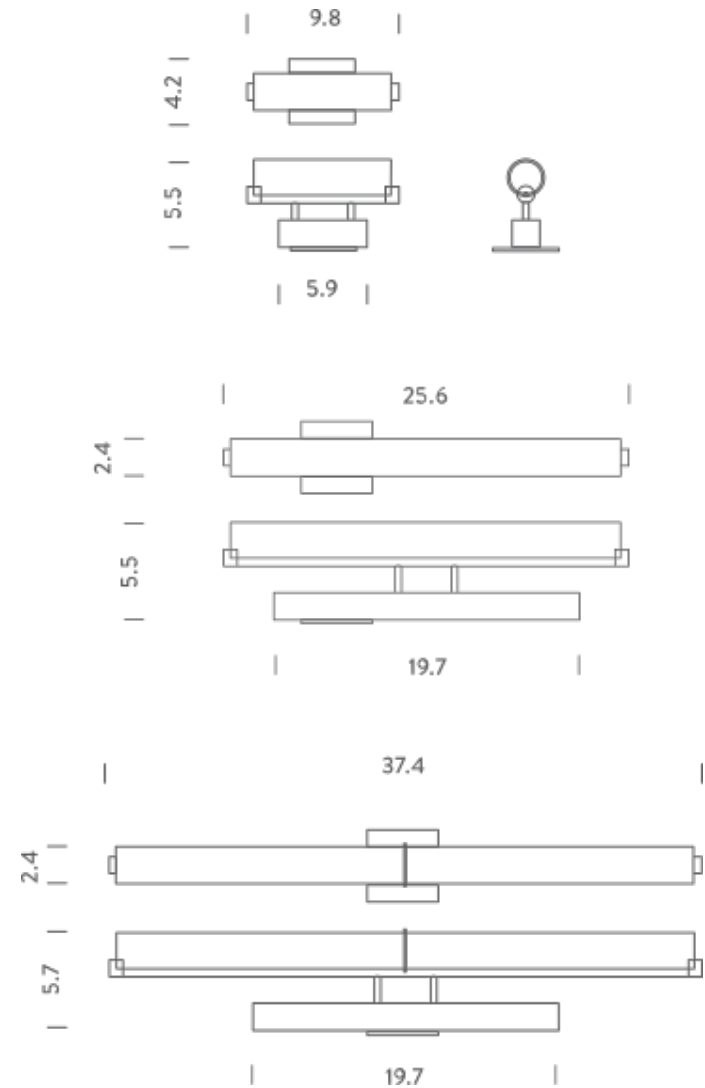
Structure/Diffuser

chrome/white

PACKAGE

Package 01

Dimension: 13.8" x 43.3" x 5.9" inches / Net weight: 13,2 lbs



10" HALO

LAMPING

Source	R7S (2.9")
Total power	250W
Emission	DIFFUSED
Switching	dimnable, according to bulb
Tension	120V
IP class	20
Dimensions	9.8" x 5.5" x 2.4"
Materials	aluminum + glass
Notes	horizontal mounting only, glass diffuser
Net lamp weight	4 lbs

Codes

NOR HLW 31

Structure/Diffuser

chrome/white

PACKAGE

Package 01

Dimension: 14.6" x 14.2" x 5.5" inches / Net weight: 5,5 lbs

