

ELLISSE FLOOR/WALL

Federico Palazzari

LED lamp for floor or wall applications, with a marble base for the floor version and with a wall kit mounting for the wall one.



LED

LAMPING

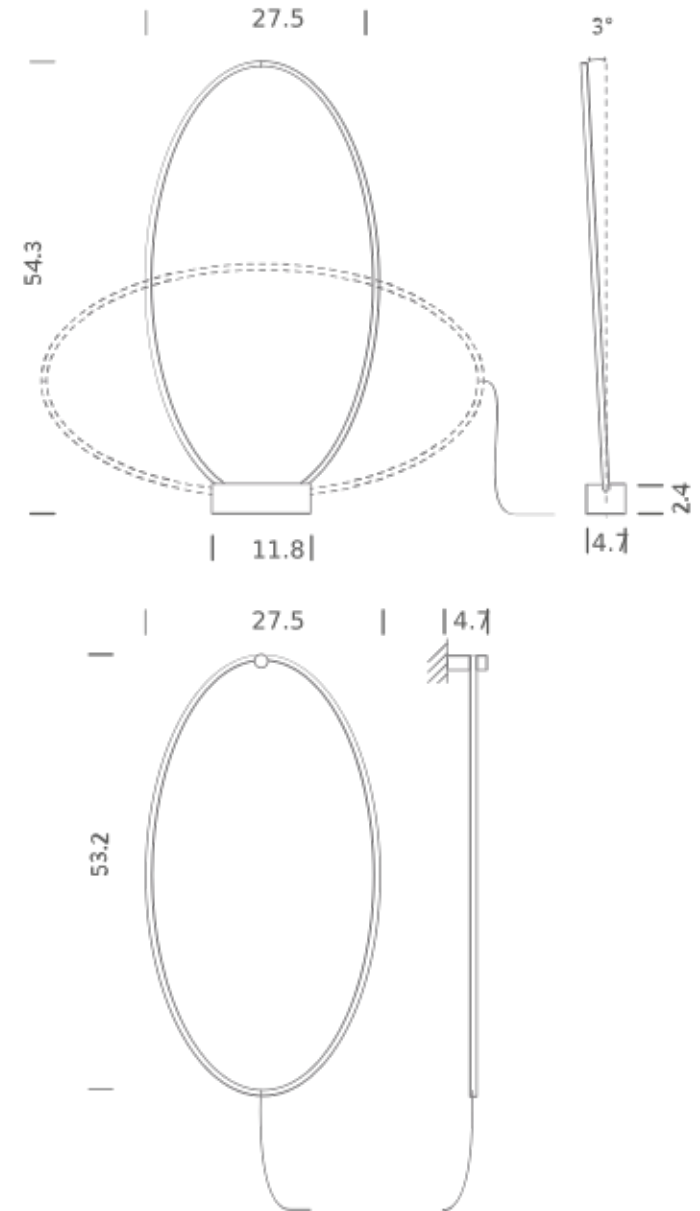
Source	LINEAR LED
Total power	66W
Emission	DIFFUSE ORIENTABLE
Switching	dimmable
Tension	120V
Color temperature	2700K
Luminous flux	3450 (luminous output)
Typ CRI	85
Energy class	A+
IP class	20
Materials	aluminum + pc
Notes	cable length 16.4', dimmer on cable
Accessories	Base, Marble marquinia black Wall hanger, aluminium gold polished anodized

Codes

ELP LNN 21
ELP LGN 21

Structure/Diffuser

black/white
gold polished anodized/white



ACCESSORY:

base



wall hanger

