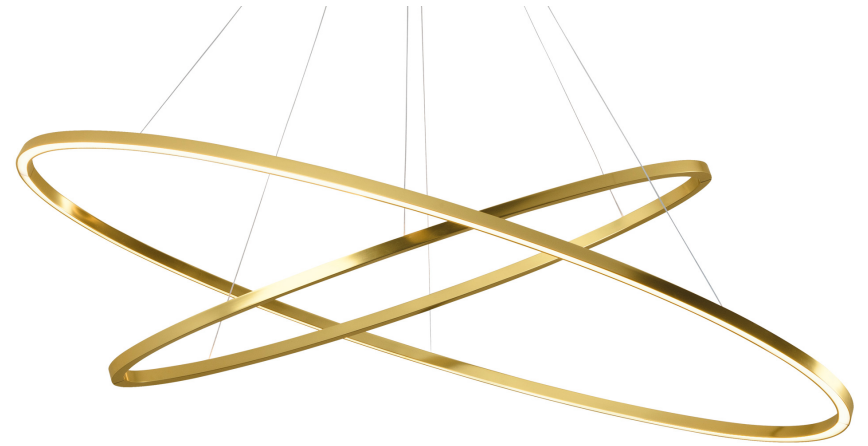


ELLISSE PENDANT DOUBLE

Federico Palazzari

LED pendant provides diffused orientable up and down light. Made from extruded aluminum in different finishes: matt lacquered white, black or gold, or polished in natural or gold. Equipped with an opal diffuser. The lamps are made using a proprietary extrusion coupling technology.



LED 2700K

LAMPING

Source	linear LED
Total power	70W
Emission	diffused uplight(minor), diffused downlight (major)
Switching	dimmable 1-10V
Tension	120V
Color temperature	2700K
Luminous flux	1980 +1300lm (luminous output)
Typ CRI	85
Energy class	A+
IP class	20
Dimensions	53.1 x 27.6 x .8
Materials	Aluminum + PC
Notes	adjustable cable length from 8.2' max, DALI version on request
Net lamp weight	11 lbs

Codes

ELP LW2 56
ELP LN2 56
ELP LO2 56
ELP LL2 56
ELP LGW 56

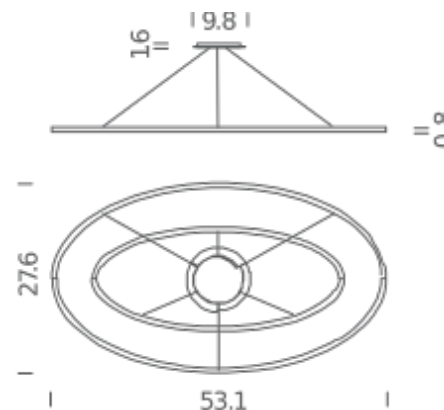
Structure

white
black
gold painted
polished aluminum
gold polished anodized

PACKAGE

Package 01
Dimension: 31.5 x 59.1 x 5.9 inches / Net weight: 12 lbs /
Gross weight: 16.5 lbs

Certificazioni



LED 3000K

LAMPING

Source	linear LED
Total power	70W
Emission	diffused uplight(minor), diffused downlight (major)
Switching	dimnable 1-10V
Tension	120V
Color temperature	3000K
Luminous flux	1980 +1300lm (luminous output)
Typ CRI	85
Energy class	A+
IP class	20
Dimensions	53.1 x 27.6 x .8
Materials	Aluminum + PC
Notes	cable length 8.2' max, DALI version on request
Net lamp weight	11 lbs

Codes

ELP LWW 56
ELP LNW 56
ELP LOW 56
ELP LLW 56

Structure

white
black
gold painted
polished aluminum

PACKAGE

Package 01
Dimension: 31.5 x 59.1 x 5.9 inches / Net weight: 12 lbs /
Gross weight: 16.5 lbs

Certificazioni

