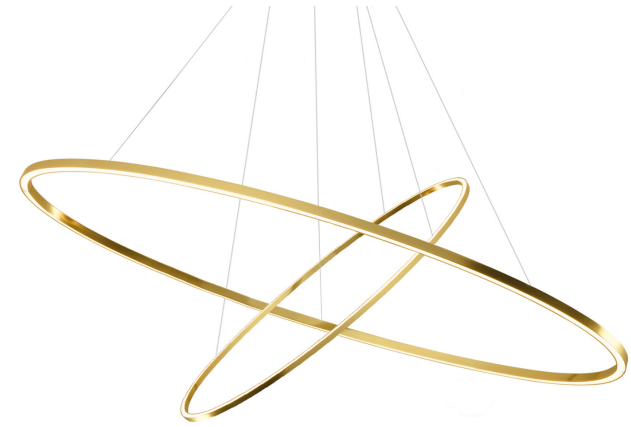


ELLISSE PENDANT DOUBLE MEGA

Federico Palazzari

LED pendant provides diffused orientable light. Made from extruded aluminum in different finishes: matt lacquered white, black or gold.

Equipped with an opal diffuser. The lamps are made using a proprietary extrusion coupling technology.



LED 2700K

LAMPING

Source	Linear LED
Total power	70W
Emission	diffused uplight(minor), diffused downlight (major)
Switching	dimnable 1-10V
Tension	120V
Color temperature	2700K
Luminous flux	2250+1470lm (luminous output)
Typ CRI	85
Energy class	A+
IP class	20
Dimensions	73.2 x 37.4
Materials	Aluminum + PC
Notes	adjustable cable length 8.2' max, DALI version on request

Codes

ELP LW2 5A
ELP LN2 5A
ELP LO2 5A

Structure

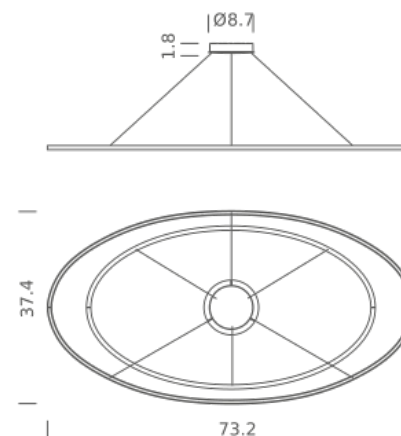
white
black
gold painted

PACKAGE

Package 01

Dimension: 5.5 x 39.8 x 79.1 inches / Gross weight: 16.5 lbs

Certificazioni



LED 3000K

LAMPING

Source	Linear LED
Total power	70W
Emission	diffused uplight(minor), diffused downlight (major)
Switching	dimnable 1-10V
Tension	120V
Color temperature	3000K
Luminous flux	2250+1470lm (real luminous output)
Typ CRI	85
Energy class	A+
IP class	20
Dimensions	73.2 x 37.4
Materials	Aluminum + PC
Notes	adjustable cable length 8.2' max, DALI version on request

Codes

ELP LWW 5A
ELP LNW 5A
ELP LOW 5A

Structure

white
black
gold painted

PACKAGE

Package 01 Dimension: 5.5 x 39.8 x 79.1 inches / Gross weight: 16.5 lbs

Certificazioni

