

HermanMiller

Nelson™ Triple Bubble Lamp Fixture

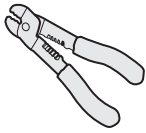


How to install your lamp

Tools Required



Pliers



Wire Cutter



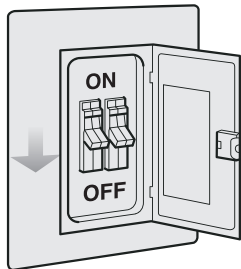
Phillips Screwdriver

Step 1

Disconnect all power. Be sure power is off before starting. Turn off circuit breakers and wall switch to the fixture supply line leads.

DANGER:

Failure to disconnect power supply prior to installation may result in serious injury or death.



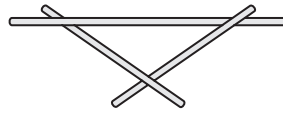
THIS PRODUCT MUST BE INSTALLED IN ACCORDANCE WITH THE APPLICABLE INSTALLATION CODE BY A PERSON FAMILIAR WITH THE CONSTRUCTION AND OPERATION OF THE PRODUCT AND THE HAZARDS INVOLVED.

PLEASE REMOVE LAMP FROM BAG BEFORE USE.

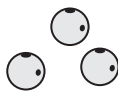
PLEASE REMOVE BRAND MEDALLION FROM PRODUCT BEFORE USE.

Parts Included

A. Triangular Support



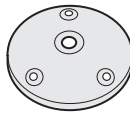
B. 3 Support Balls



C. 3 C-Clamps



D. Canopy



E. Cross Bar



F. Threaded Cap

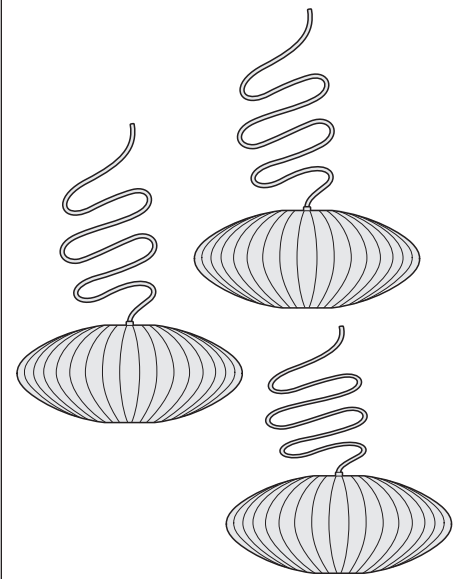


G. Wire Caps



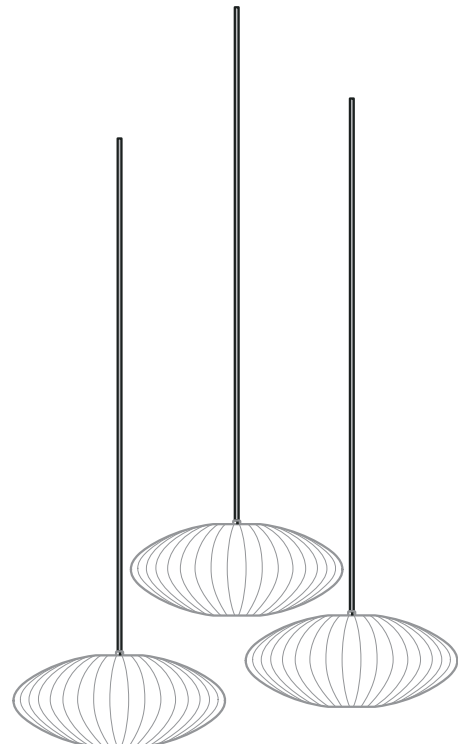
3 Shades Purchased Separately

Any 3 small Nelson Shades will work with the Triple Fixture.



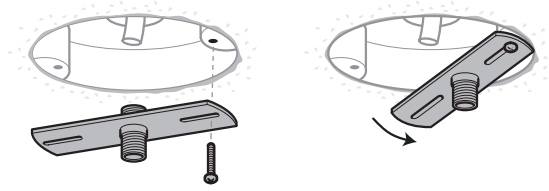
Step 2

Uncoil and straighten the power cords from each of the three Shades.



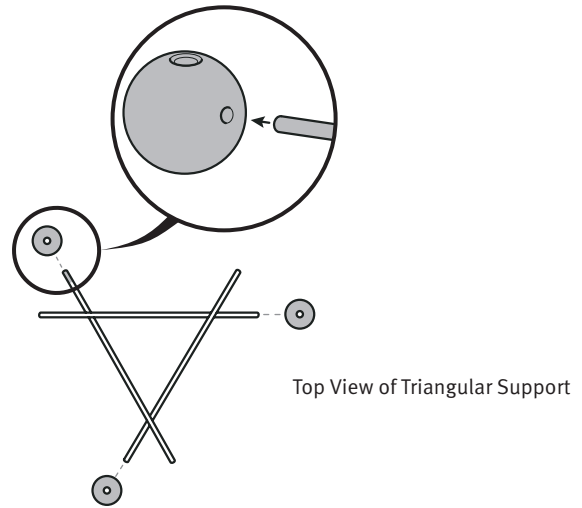
Step 3

Attach only one side of the Cross Bar to the ceiling fixture, then pivot the Cross Bar to the side. This will come in handy when tucking the wires away.



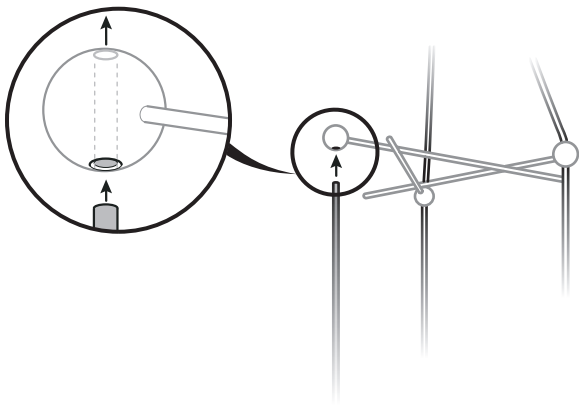
Step 4

Place Balls on Triangular Support as shown below. Make sure open holes are facing straight up.



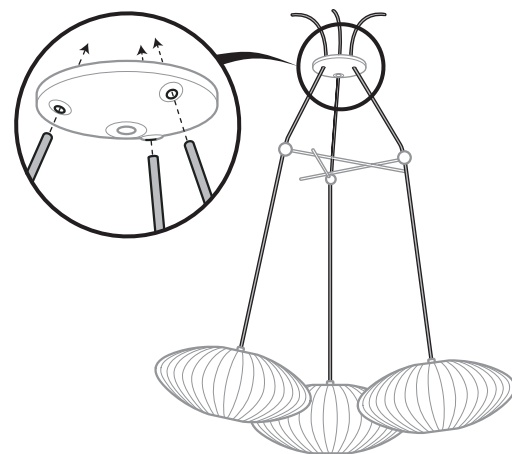
Step 5

Run the wires up through each of the Balls attached to the Triangular Support.



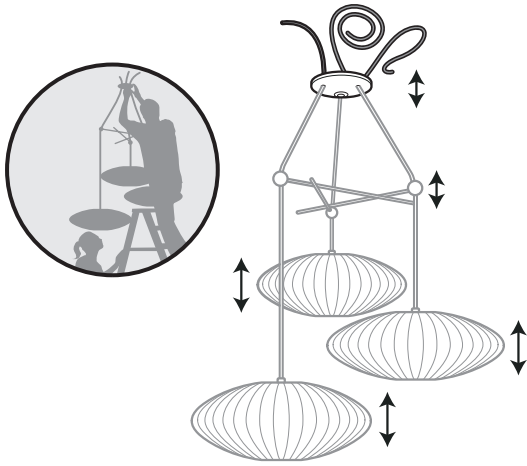
Step 6

Run the wires up through the perimeter holes in the Canopy. The center hole is for the Threaded Rod on the Cross Bar.



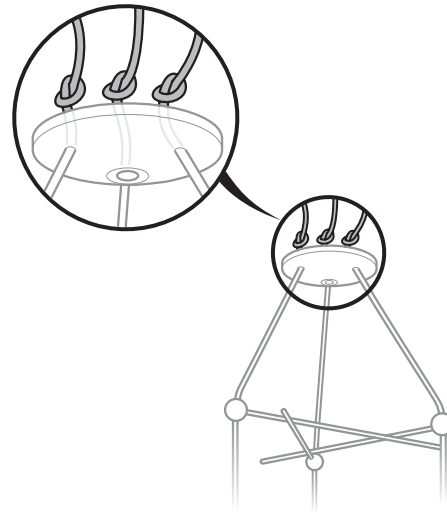
Step 7

Find the desired lamp height and arrangement by sliding the shade wires up and down through the Canopy. Hand hold the wires in place and lift the Triple Fixture near final location for approval.



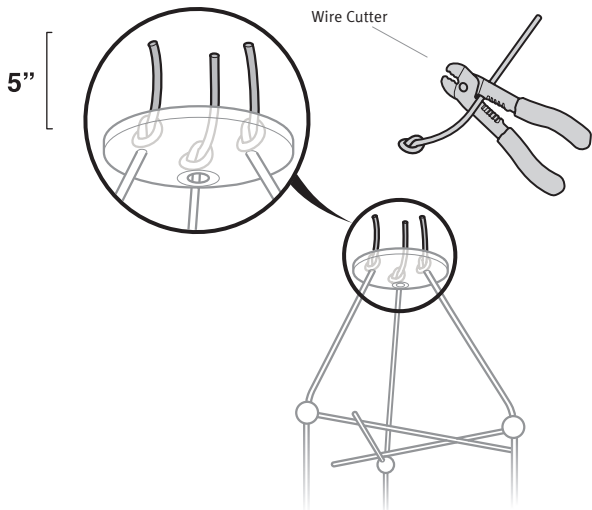
Step 8

Tie a knot in each wire to act as strain relief. This will be the final chance to make adjustments to shade height prior to the cutting of wires in Step 9.



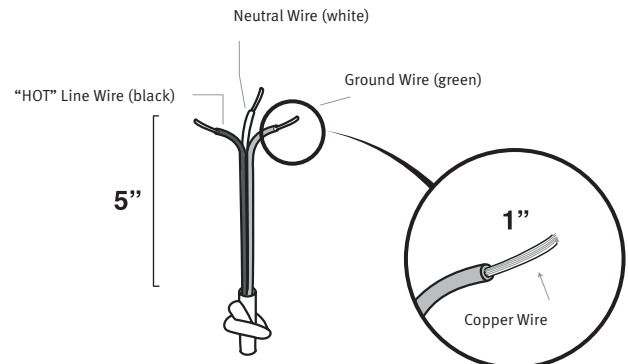
Step 9

Once the wire knots are snug against the Canopy, cut each wire 5" above the knot in preparation for the next step.



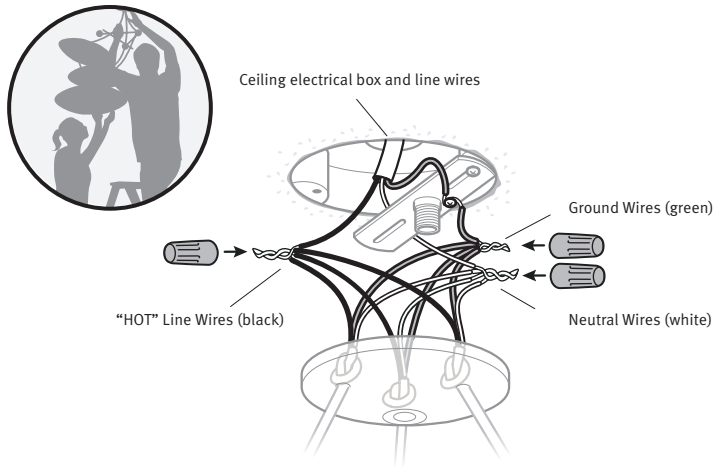
Step 10

Strip the casing off 4.5" of the 5" of wire to reveal the Line, the Neutral, and the Ground Wires. Strip off 1" of casing from each one of those in order to twist connect for remaining steps. Do the same for the Wires in your ceiling box.



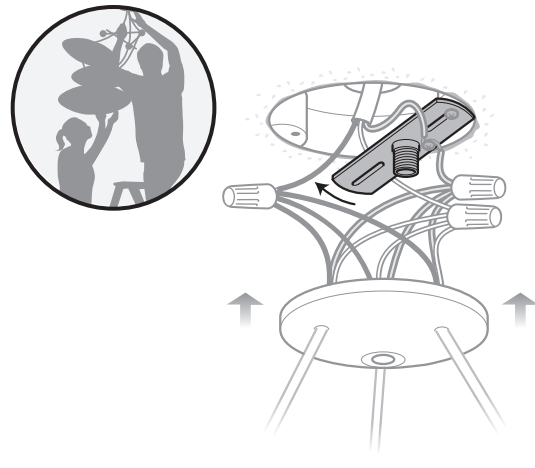
Step 11

Twist connect wires as shown below. Be sure to securely screw Wire Caps to joined ends of Line Wires and Neutral Wires. Attach all four Ground Wires to grounding screw on the Cross Bar. Have someone assist with strain relief while connecting the wires.



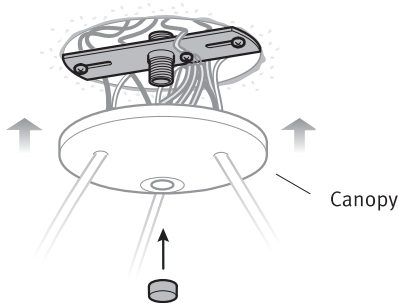
Step 12

Tuck all wires up into the Ceiling Box, pivot the Cross Bar into final position, and attach with screw. Make sure both screws are tight. Have someone assist with strain relief during this final step.



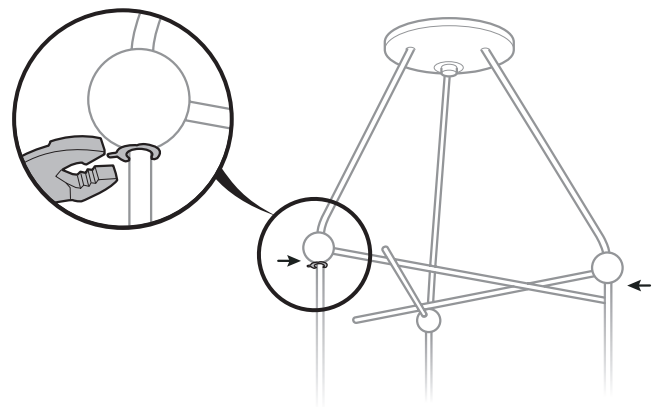
Step 13

Once the Canopy is flush against the ceiling, attach the Threaded Cap to the threaded rod.



Step 14

Place a C-Clamp on each power cord just under each one of the Triangle Support Balls. Crimp them shut with pliers. Be careful not to damage the wires by crimping too hard.



Step 15

Turn power back on and enjoy your Nelson Bubble Lamp Fixture.

