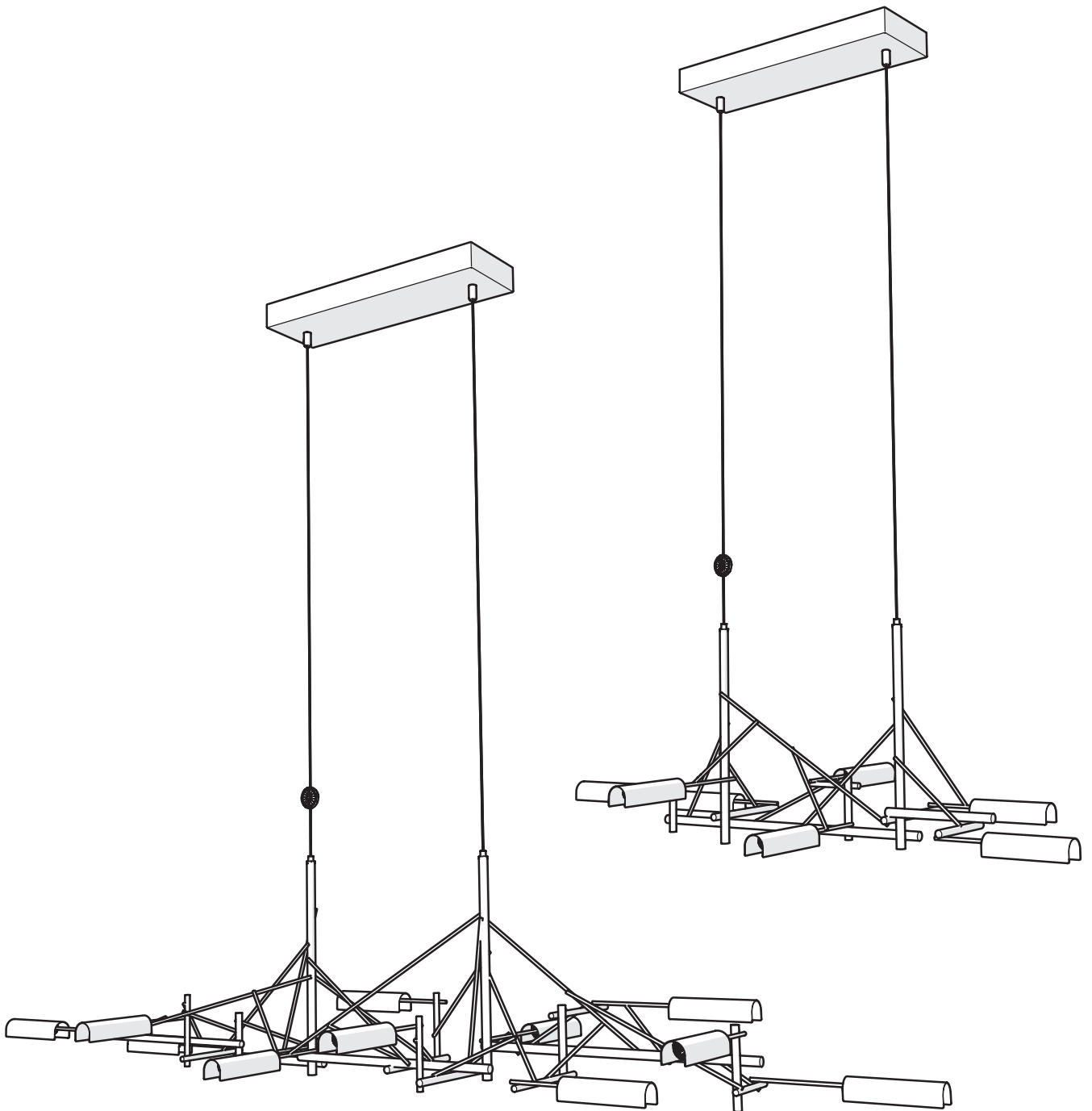


# moooi

Tinkering



UL

visit [www.moooi.com](http://www.moooi.com) for more information about the collection

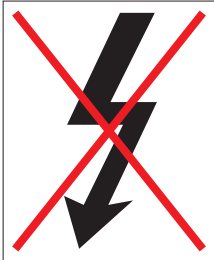
# m o o o i

## Tinkering

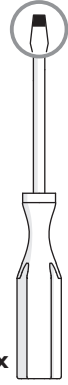
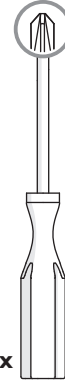
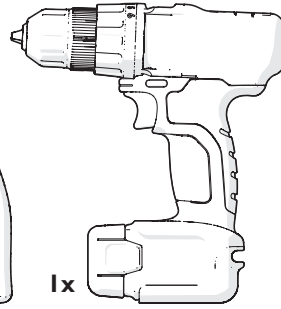
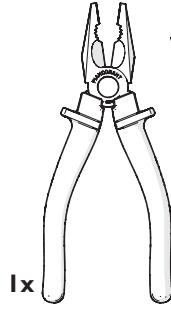


CAUTION! HANDLE THIS PRODUCT WITH CARE.  
NEVER PLACE THE LAMP ON THE GROUND. THIS MAY DAMAGE THE PRODUCT.

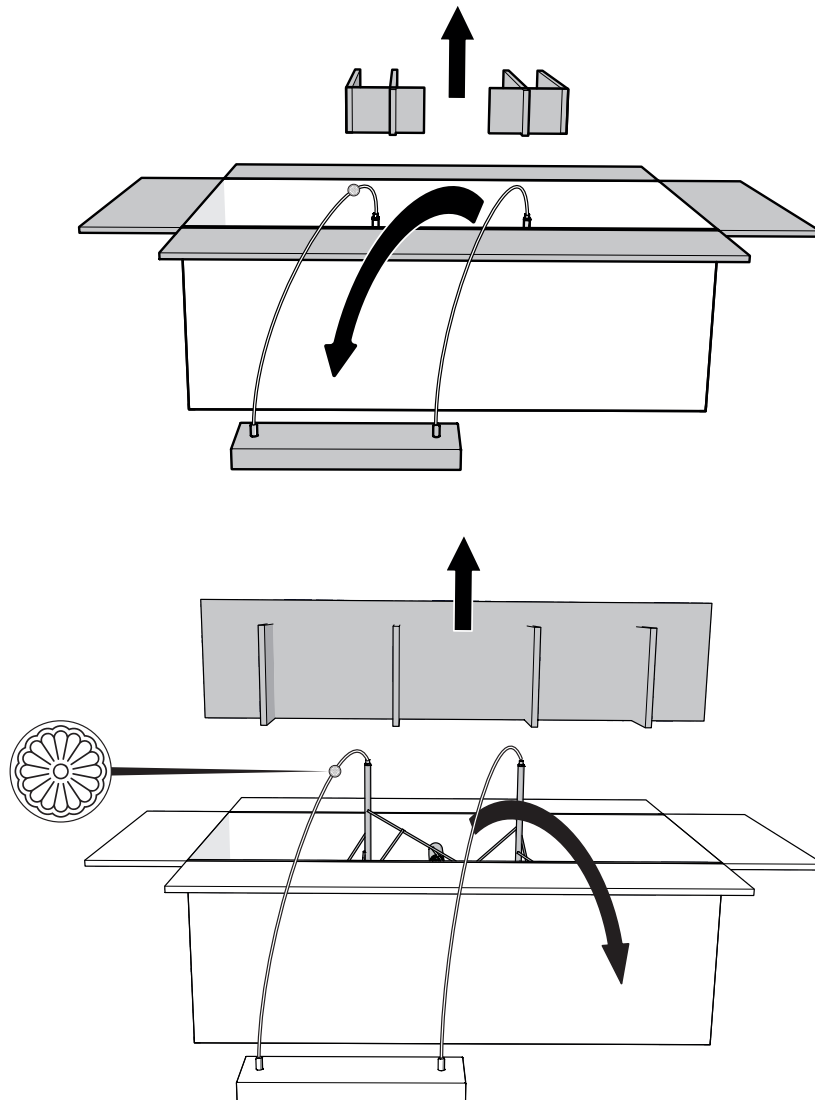
1



NOT INCLUDED



2



visit [www.mooui.com](http://www.mooui.com) for more information about the collection

# m o o o i<sup>®</sup>

## Tinkering

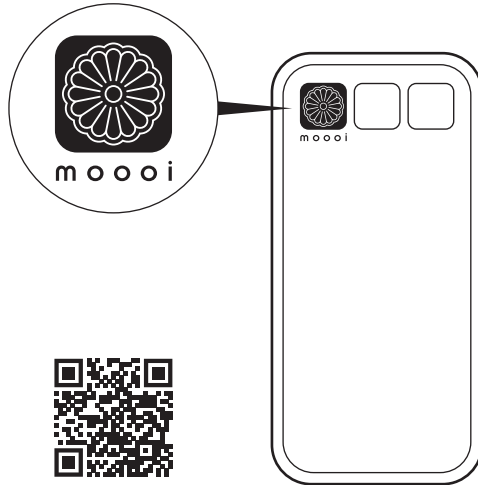
3

①

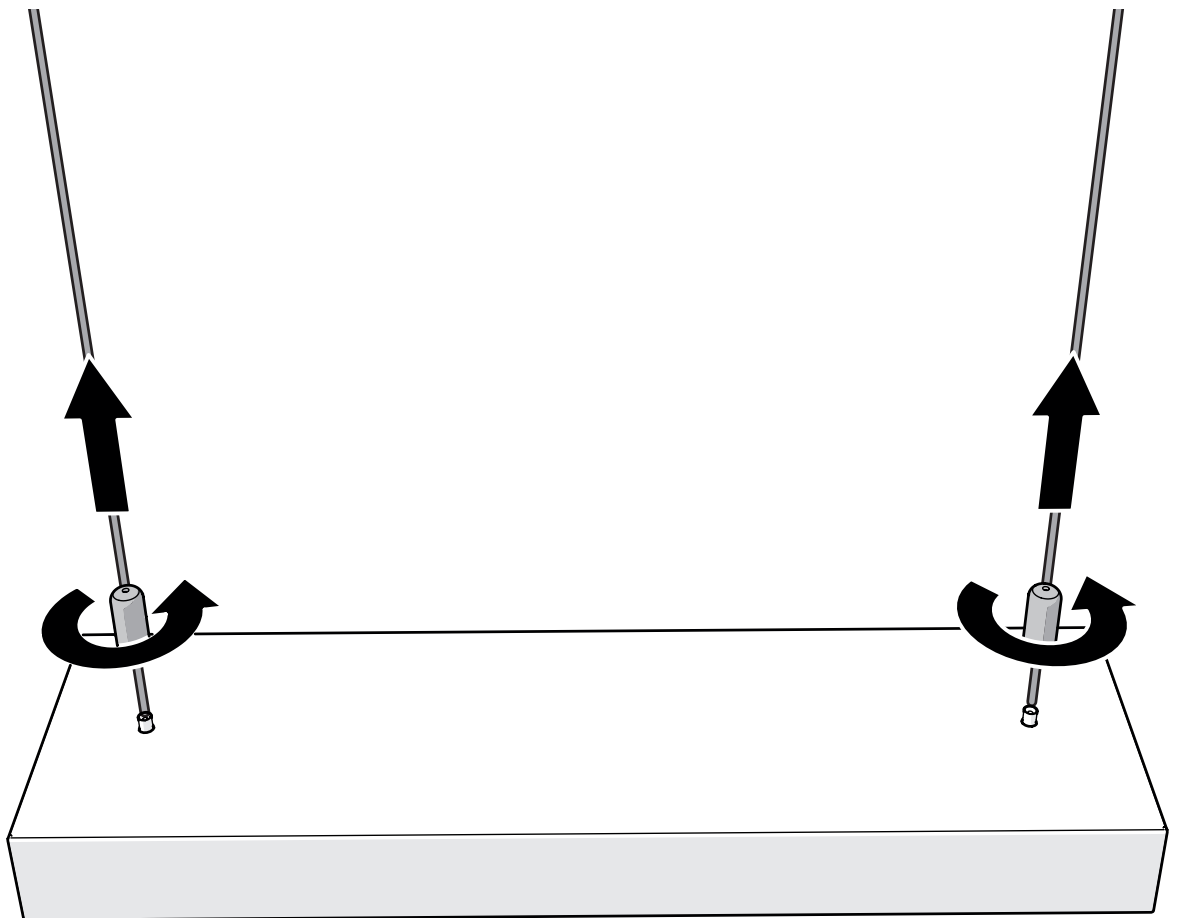
GO TO MOOOI.COM/  
THE-BUTTON

②

SCAN AND REGISTER



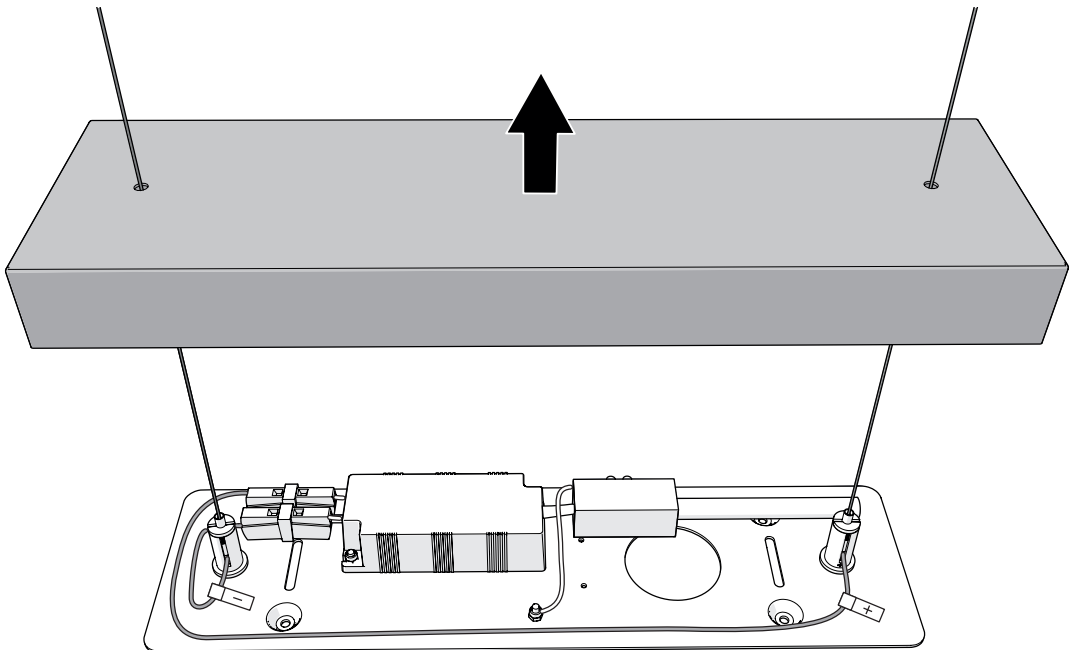
4



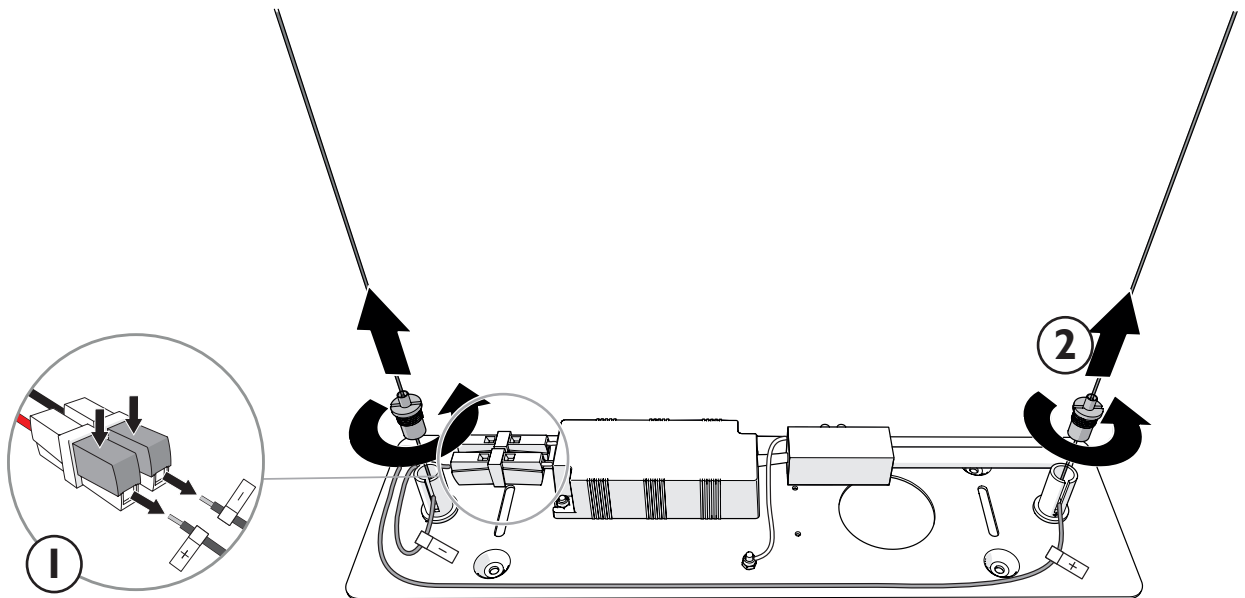
# m o o o i

Tinkering

5



6

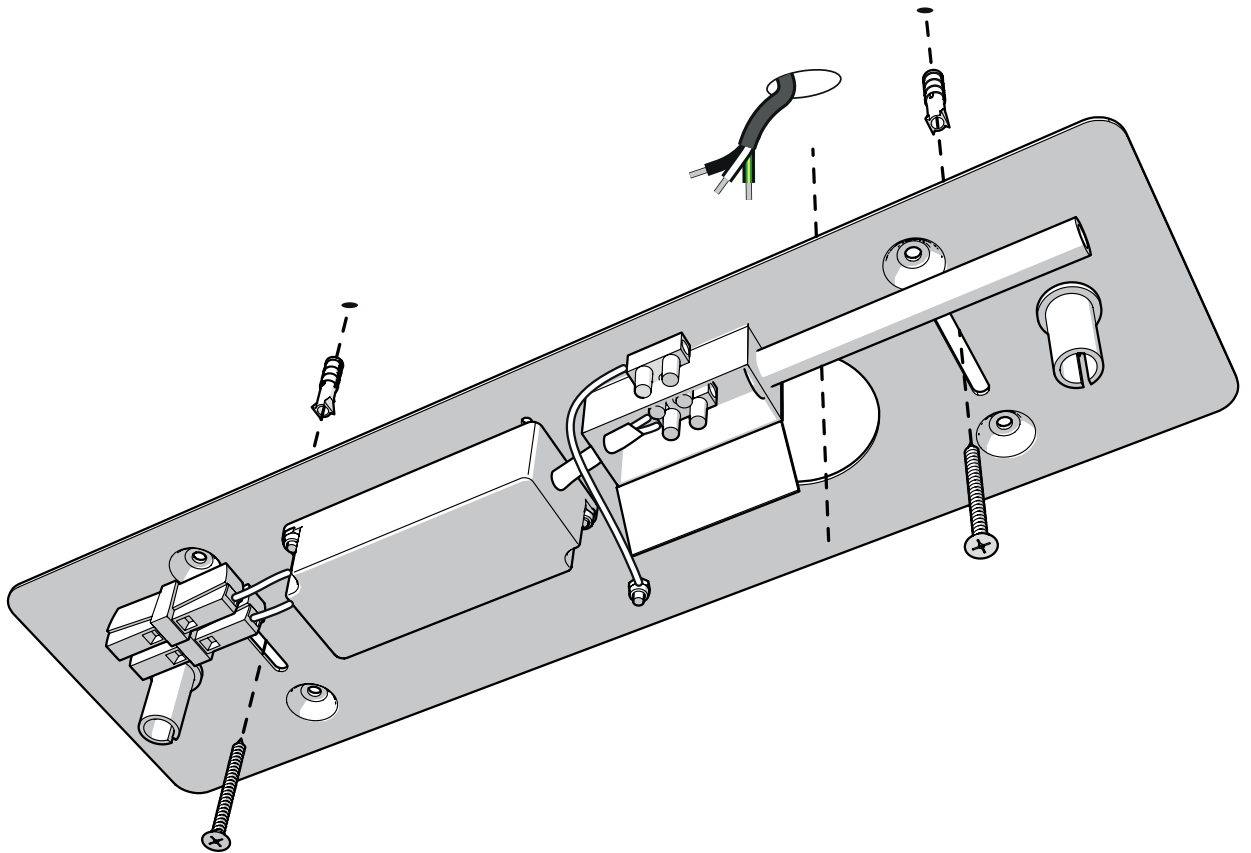
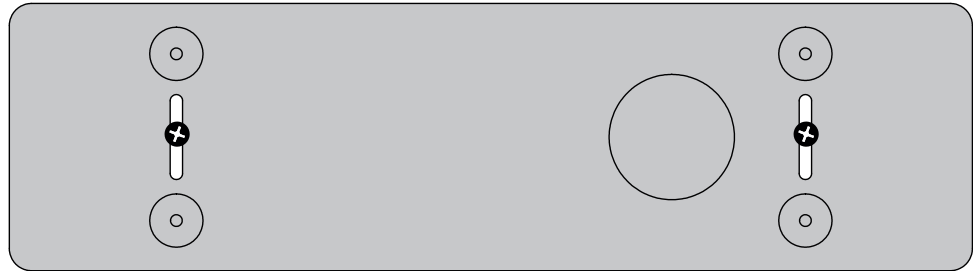


# m o o o i

Tinkering

7

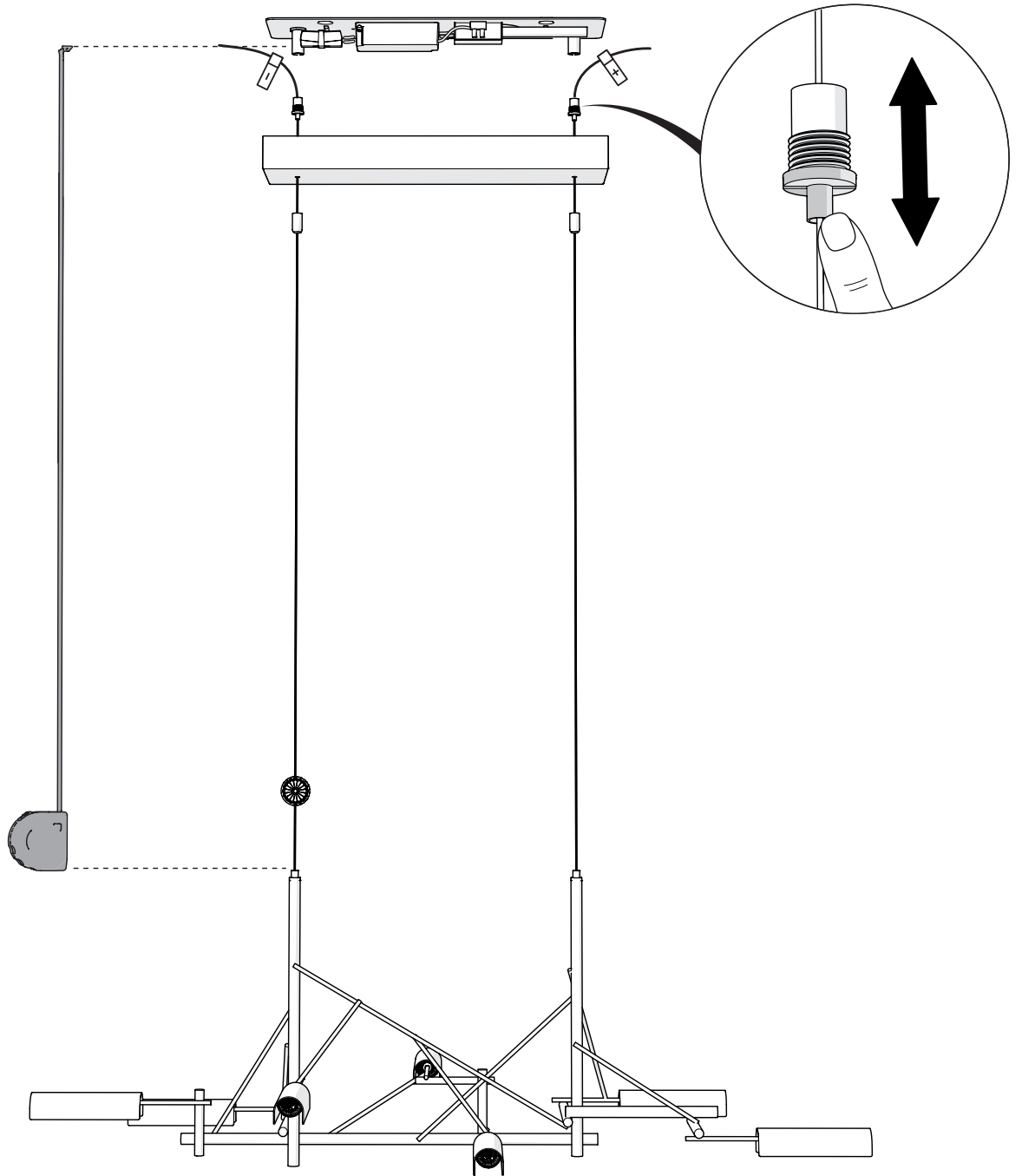
REGULAR MOUNT WITH 2 SCREWS IN THE CENTER OF EACH SLOT



# m o o o i<sup>®</sup>

## Tinkering

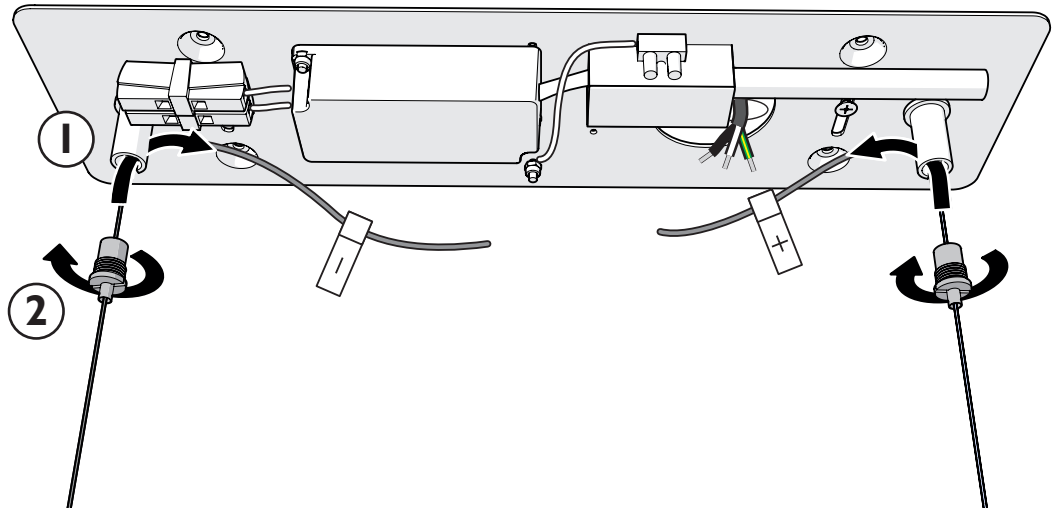
8



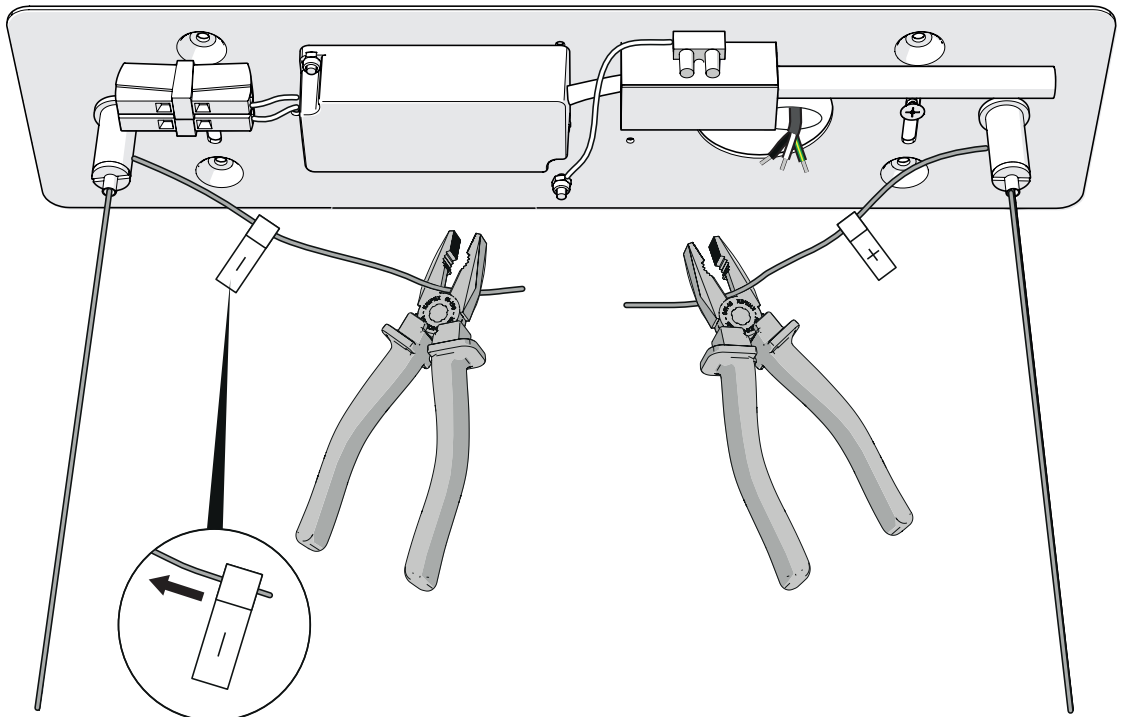
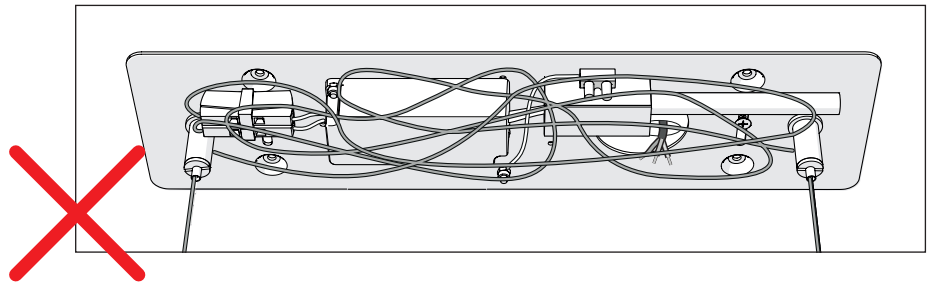
# moooi

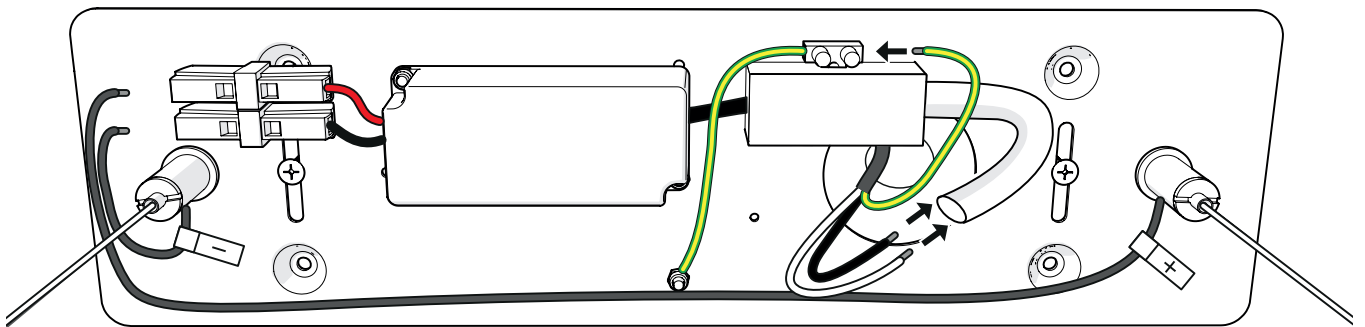
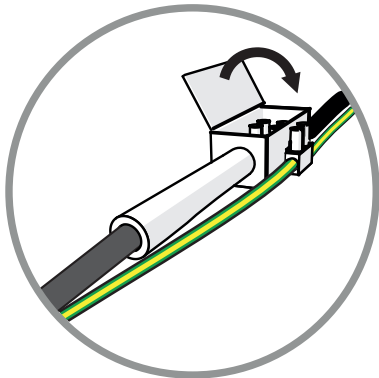
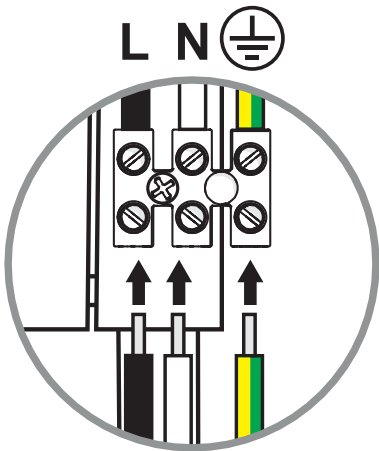
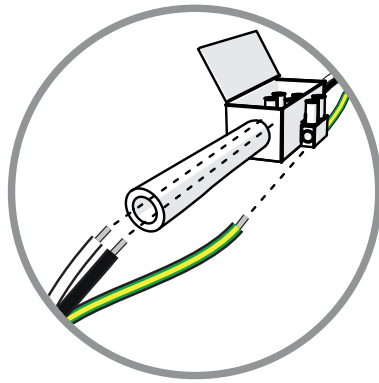
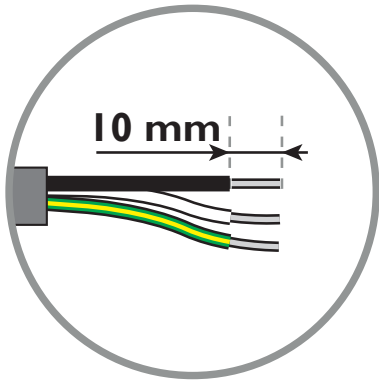
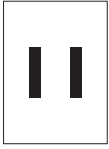
## Tinkering

9



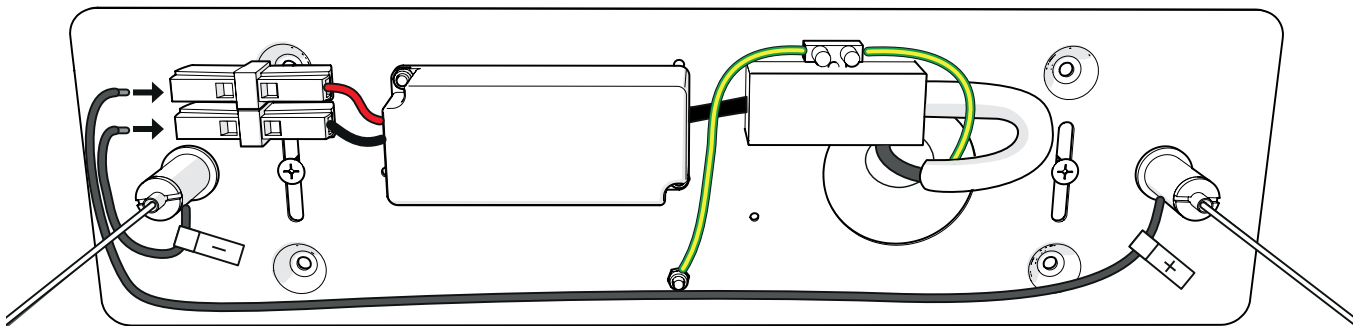
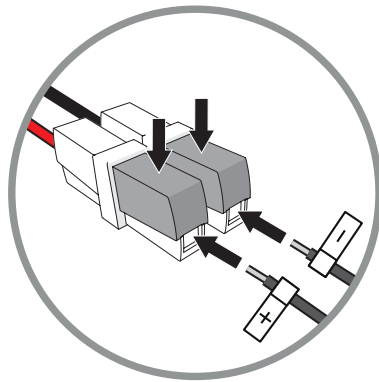
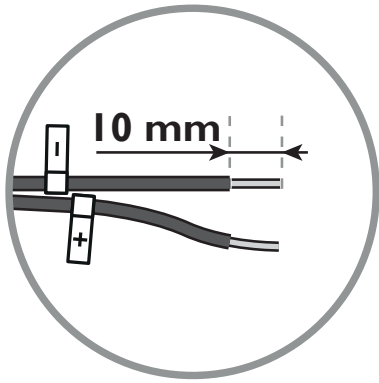
10





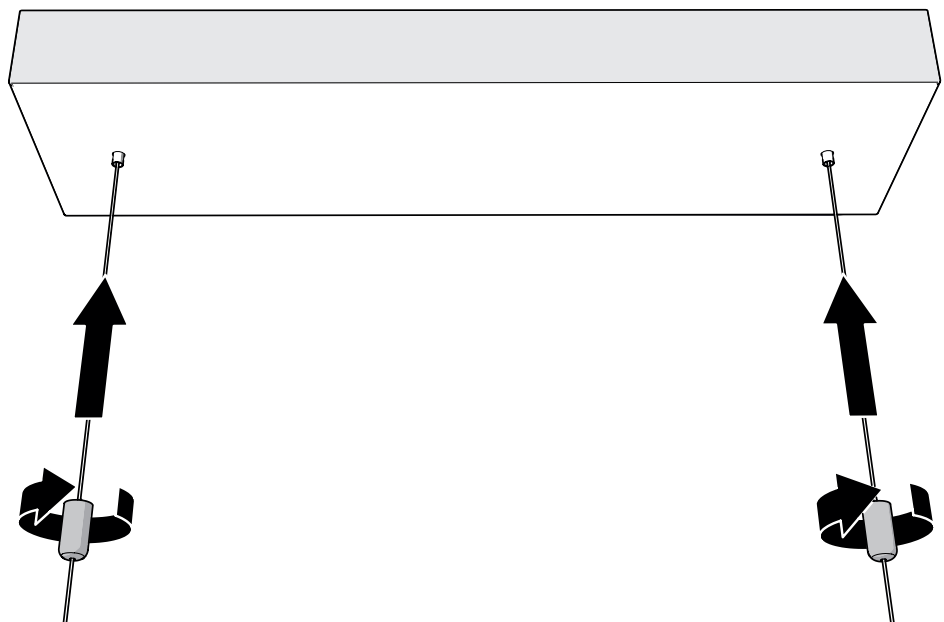
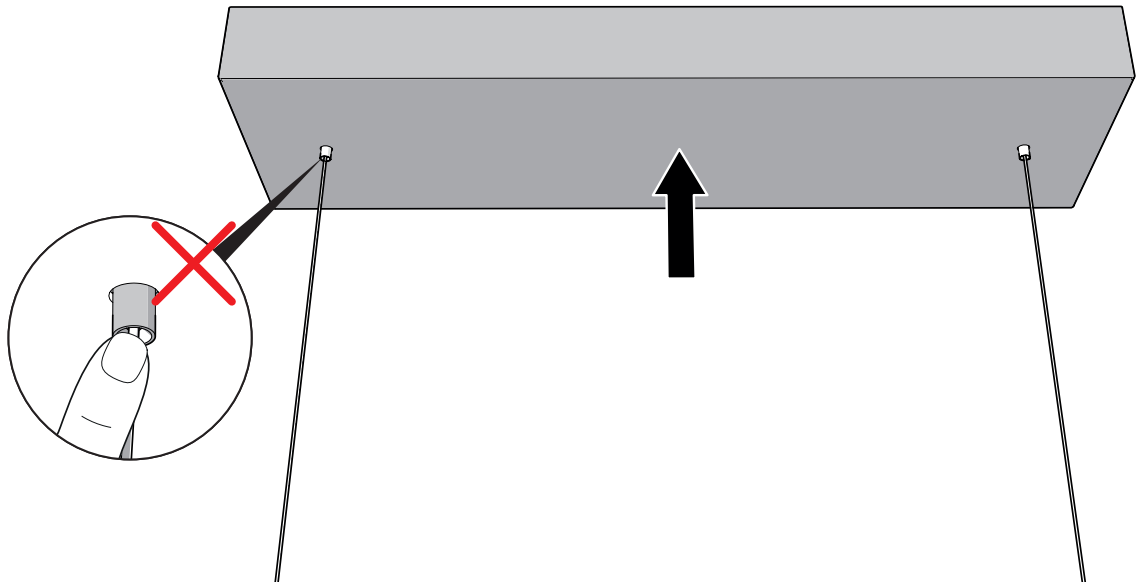


12



13

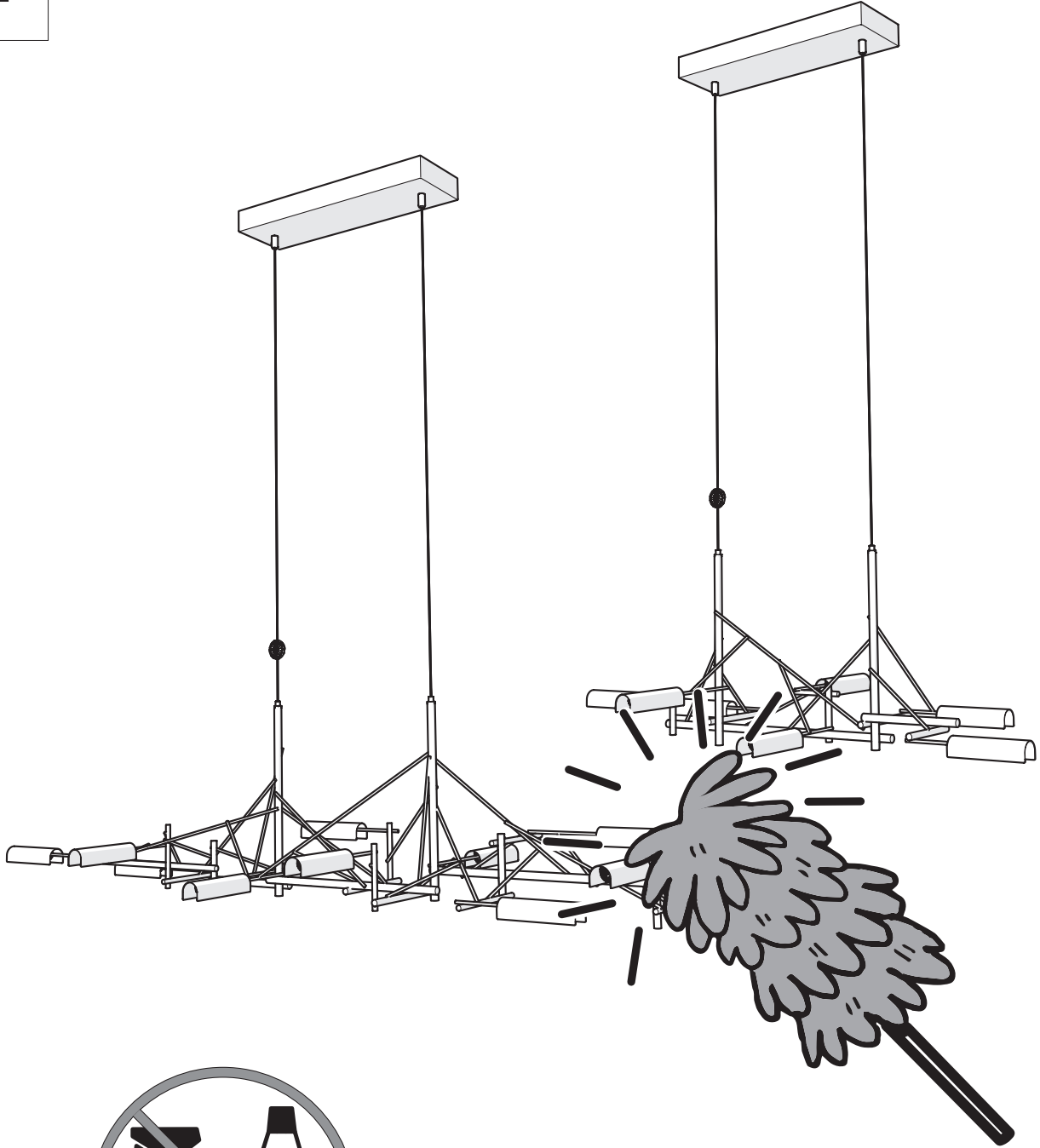
CAUTION! DO NOT PUSH THE CABLE GRIPPER WHEN PLACING THE COVER.



# m o o o i

Tinkering

i



visit [www.mooui.com](http://www.mooui.com) for more information about the collection

Thank you!