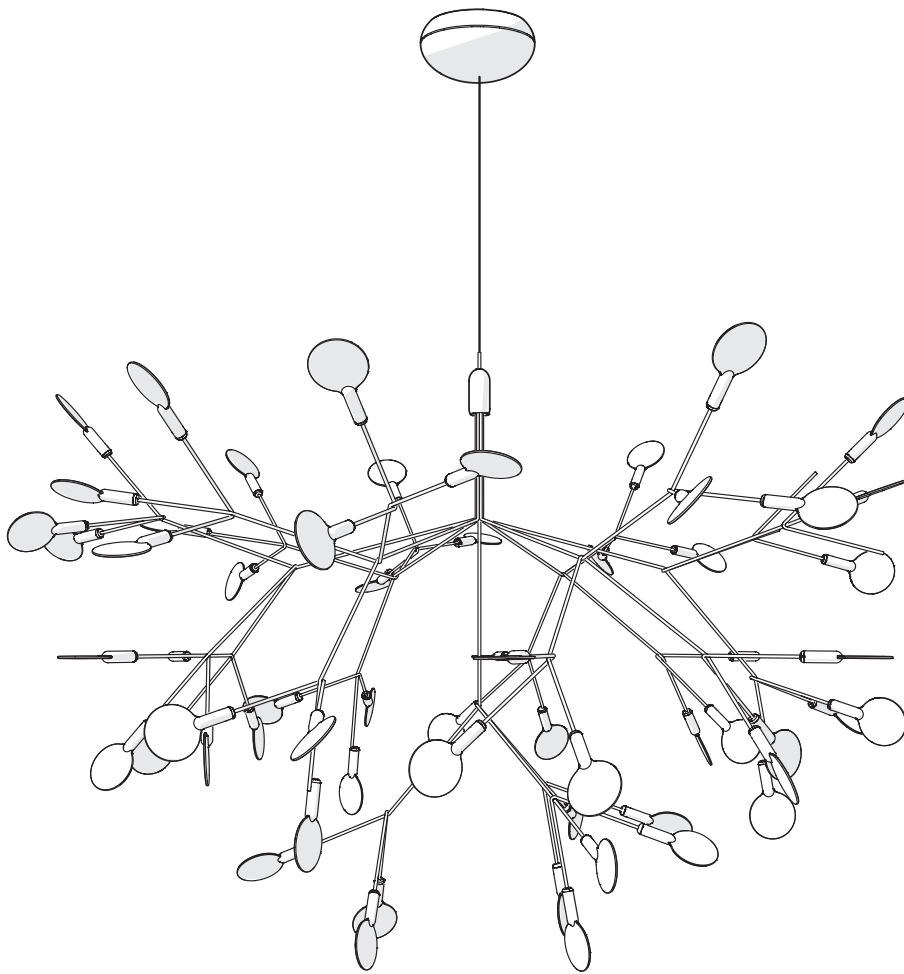


m o o o i

Heracleum III Suspended Small & Large



visit [www.mooui.com](http://www.mooui.com) for more information about the collection

# m o o o i

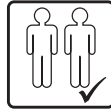
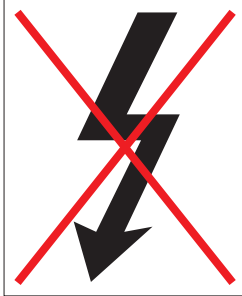
## Heracleum III Suspended Small & Large

i

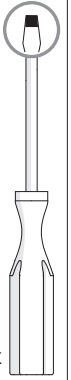
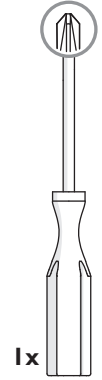
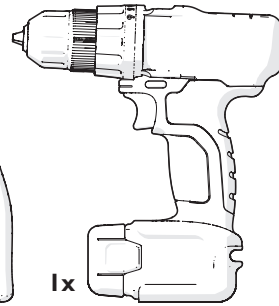
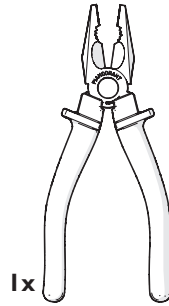
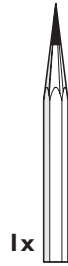


PLEASE HANDLE THIS PRODUCT WITH CARE. NEVER PLACE THE LAMP ON THE GROUND. THIS MAY DAMAGE THE PRODUCT.

请小心使用本产品. 切勿将灯放在地面上. 这可能会损坏产品.



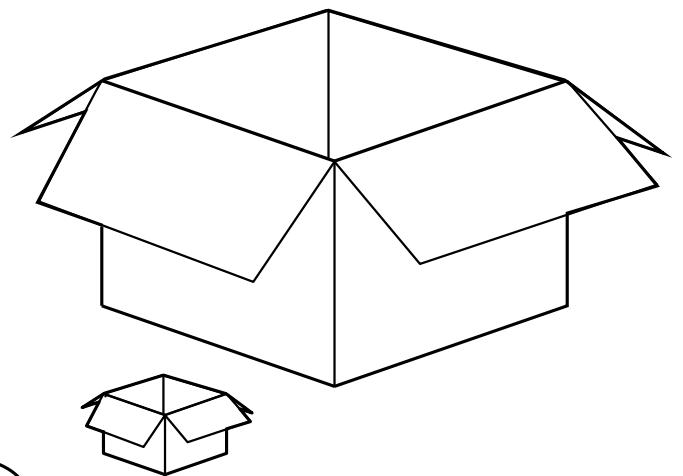
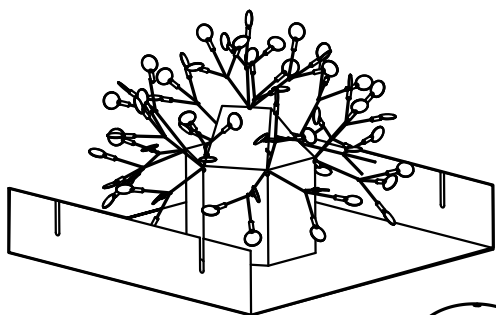
NOT INCLUDED  
不包含



THE LIGHT SOURCE CONTAINED IN THIS LUMINAIRE SHALL ONLY BE REPLACED BY THE MANUFACTURER OR HIS SERVICE AGENT OR A SIMILAR QUALIFIED PERSON.

本灯具中包含的光源只能由制造商或其服务代理或类似的合格人员更换.

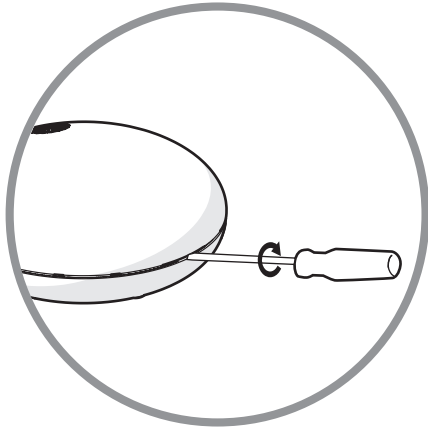
I



# m o o o i

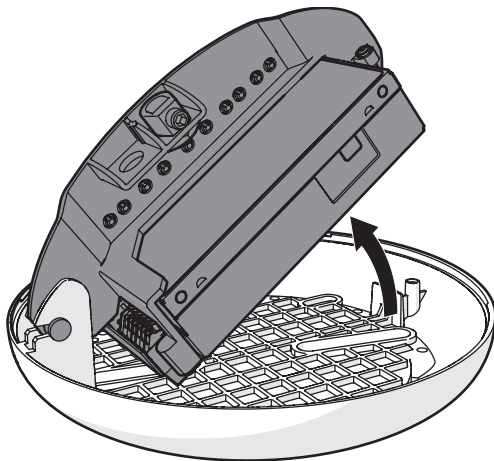
## Heracleum III Suspended Small & Large

2

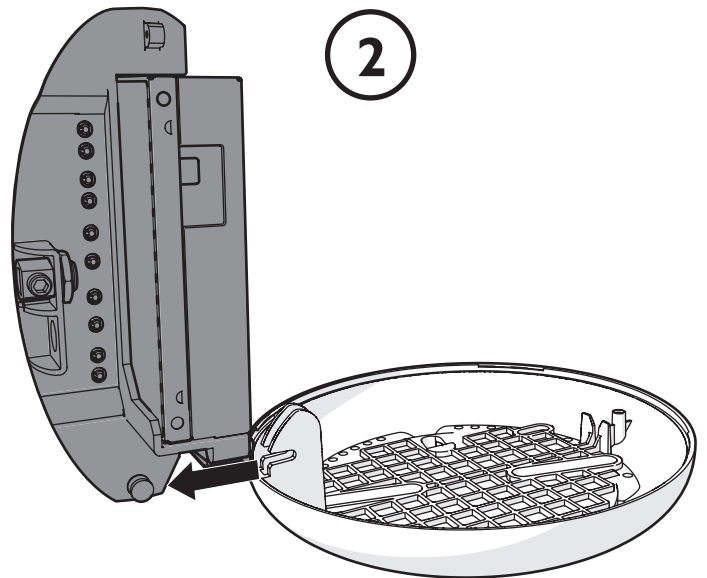


3

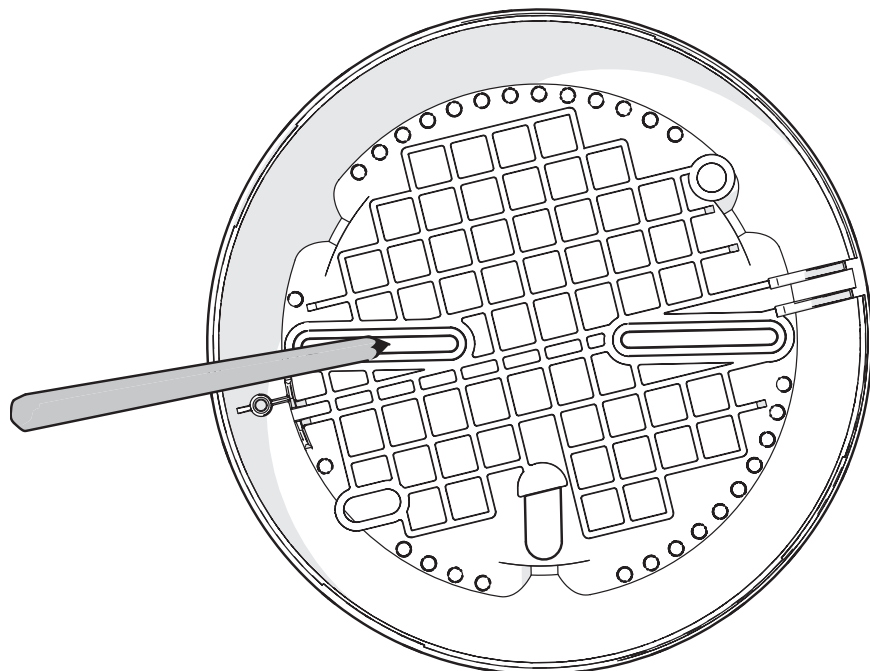
1



2



4

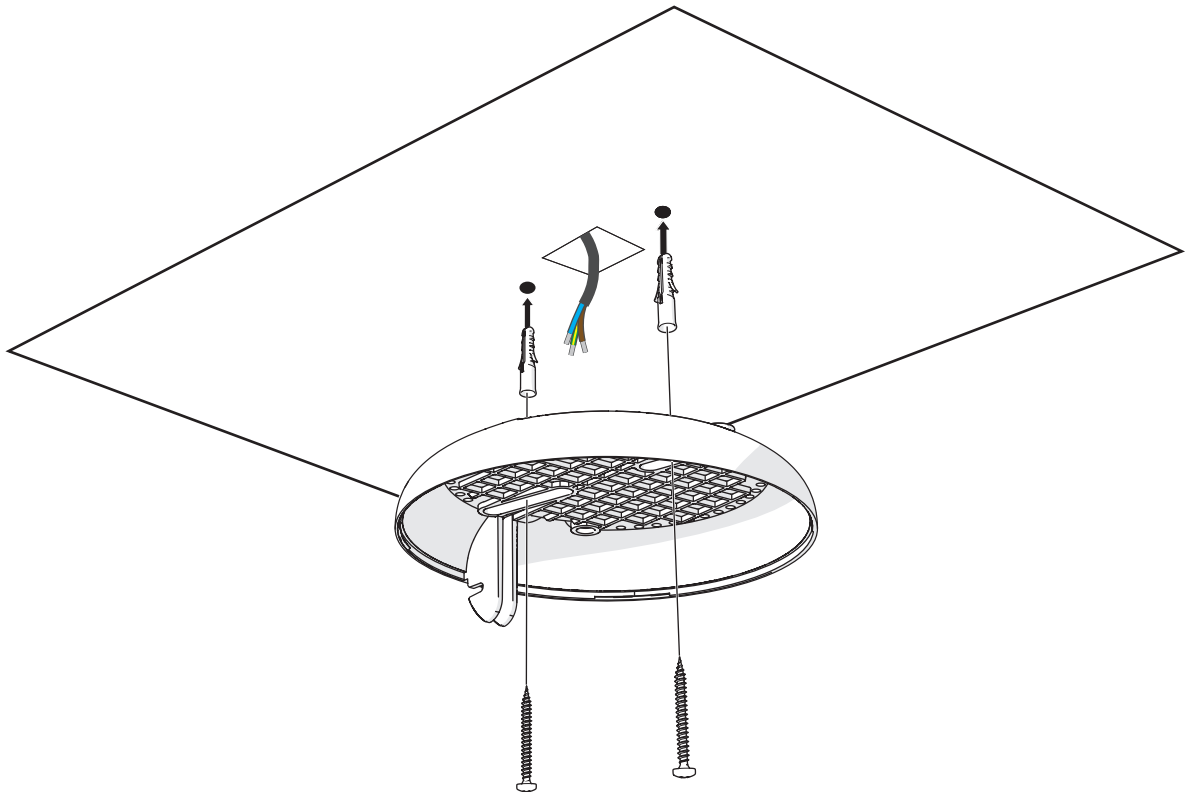


visit [www.mooui.com](http://www.mooui.com) for more information about the collection

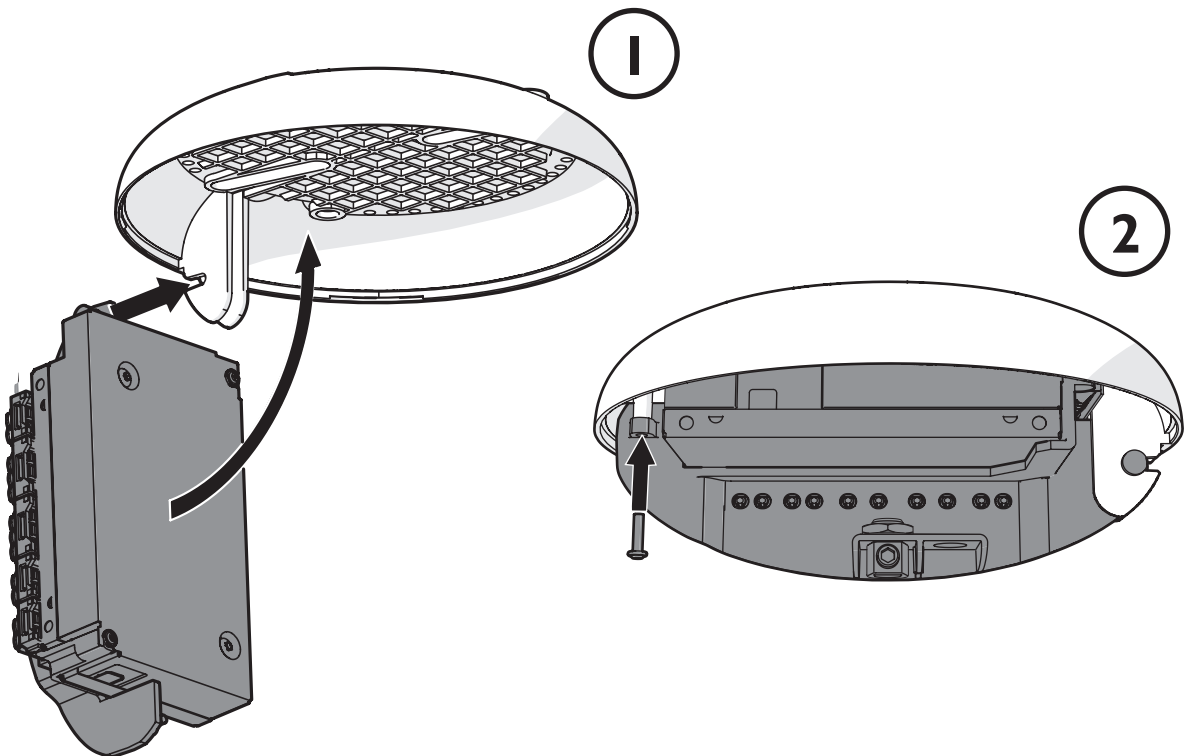
# m o o o i

## Heracleum III Suspended Small & Large

5



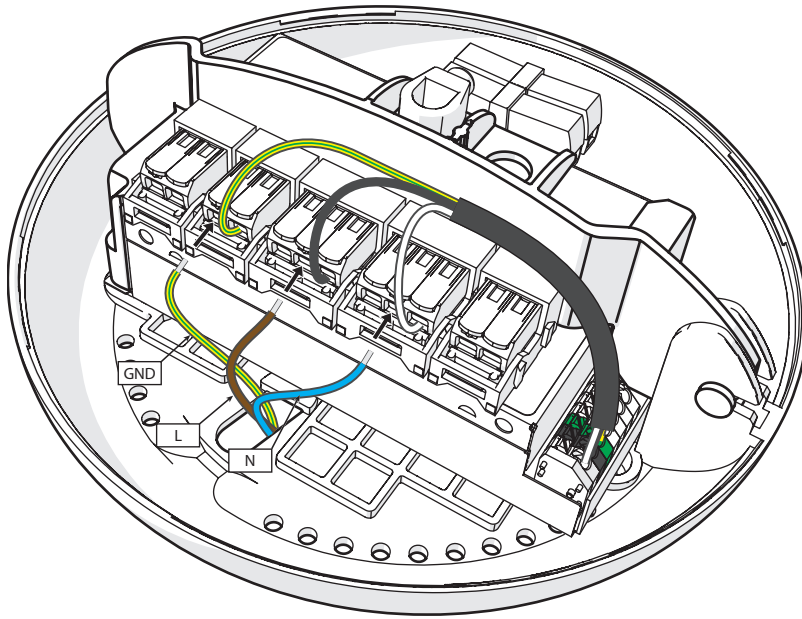
6



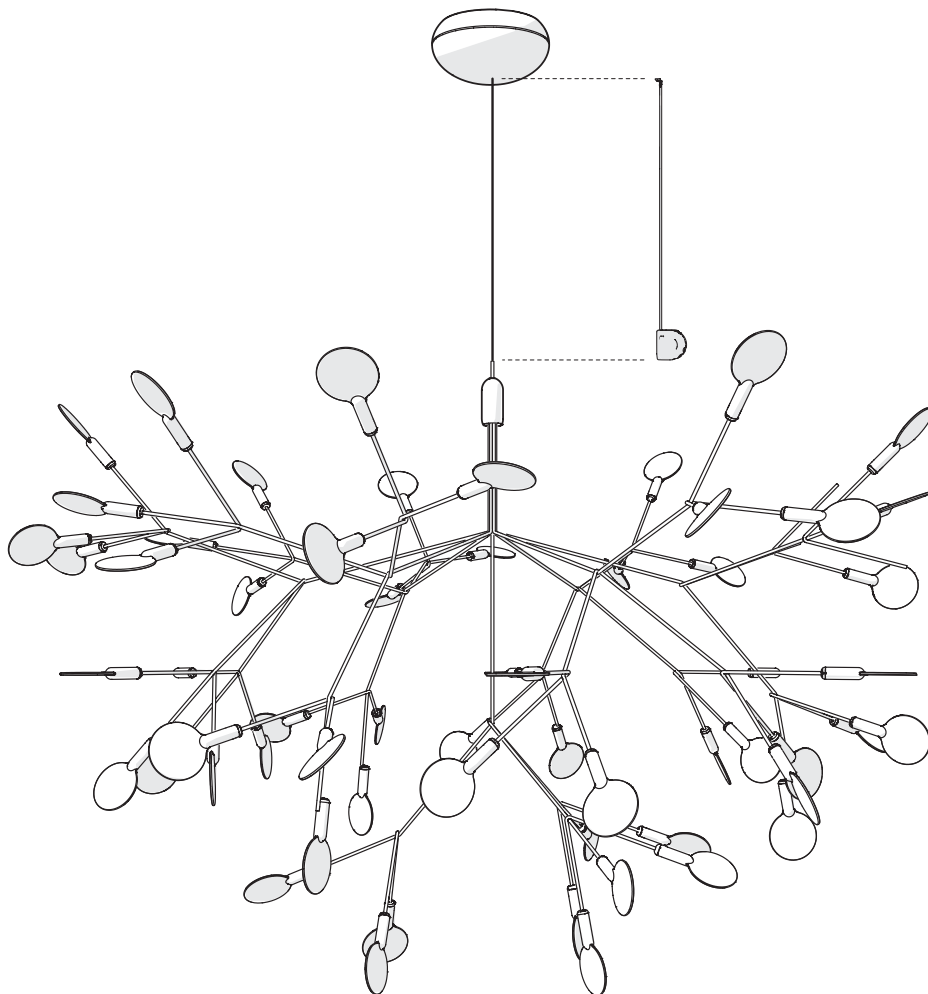
# m o o o i

## Heracleum III Suspended Small & Large

7



8

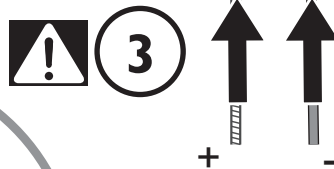
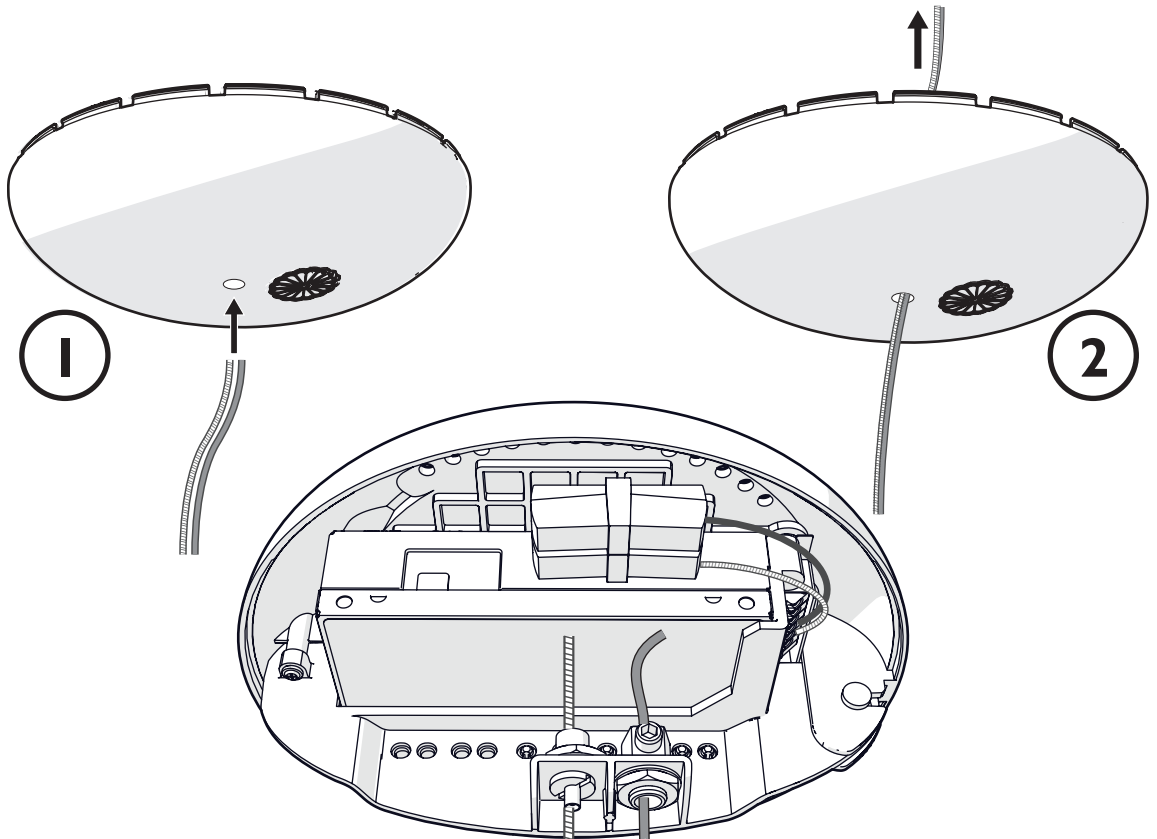


visit [www.mooui.com](http://www.mooui.com) for more information about the collection

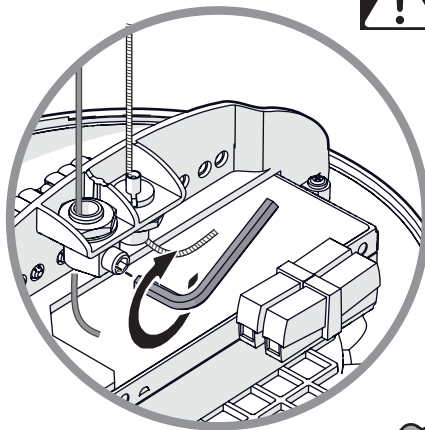
# m o o o i

## Heracleum III Suspended Small & Large

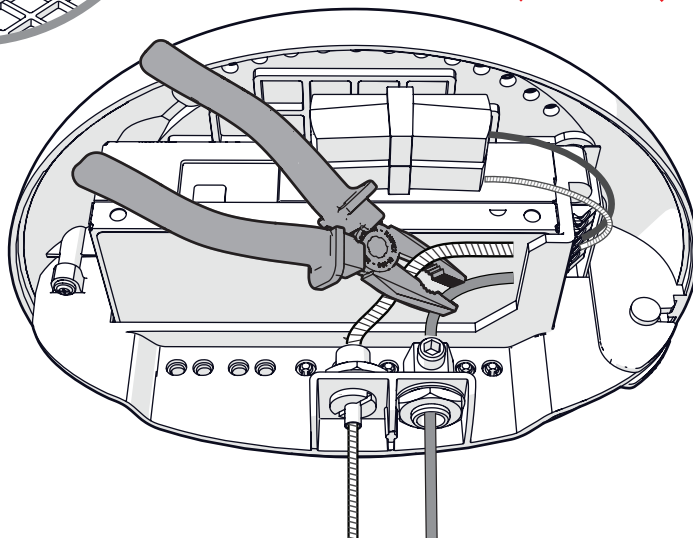
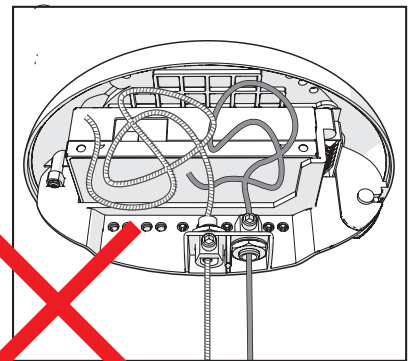
9



10



1

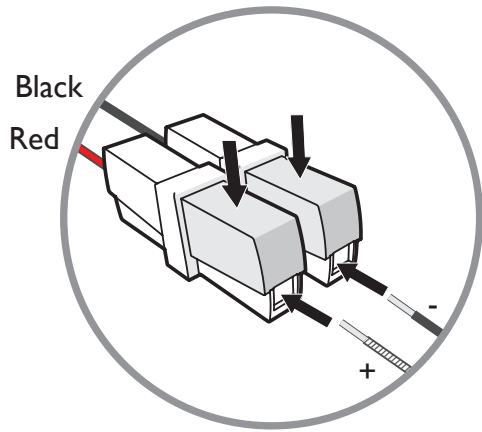
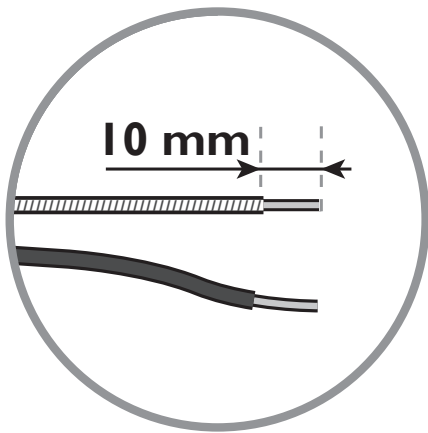


visit [www.mooui.com](http://www.mooui.com) for more information about the collection

# moooi

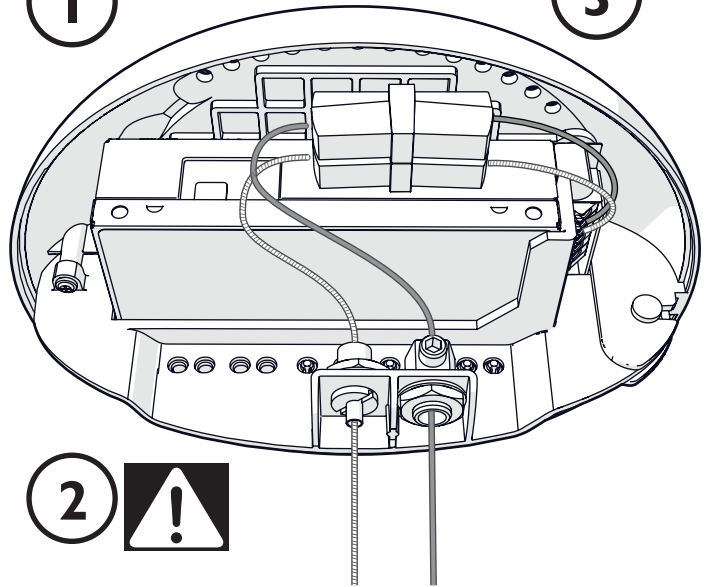
## Heracleum III Suspended Small & Large

II

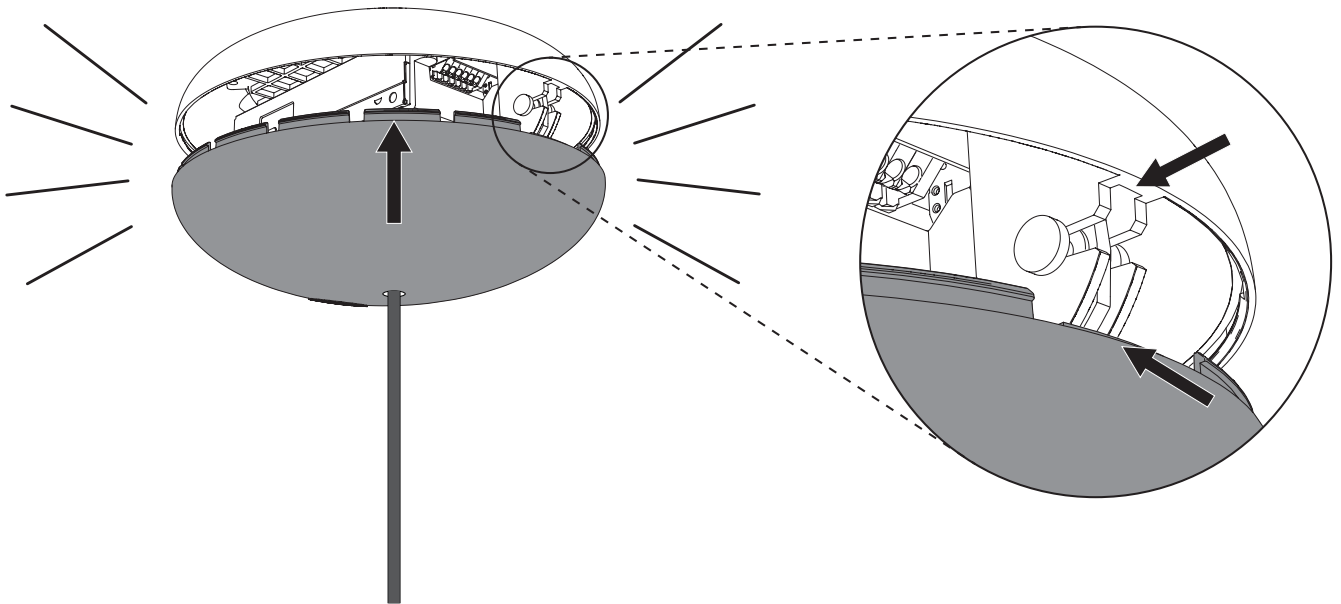


1

3



12



visit [www.moooi.com](http://www.moooi.com) for more information about the collection

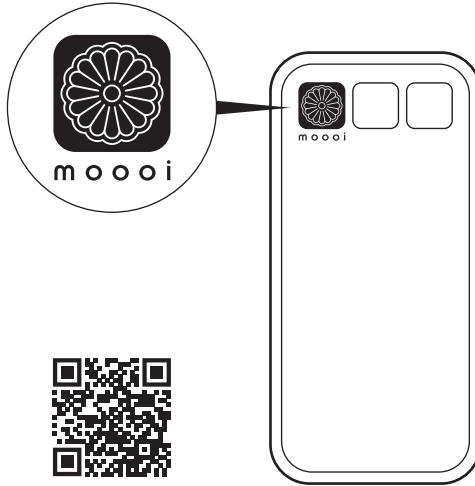
# m o o o i

## Heracleum III Suspended Small & Large

i

1

WWW.MOOOI.COM/  
THE-BUTTON



2

SCAN AND REGISTER  
扫描并注册



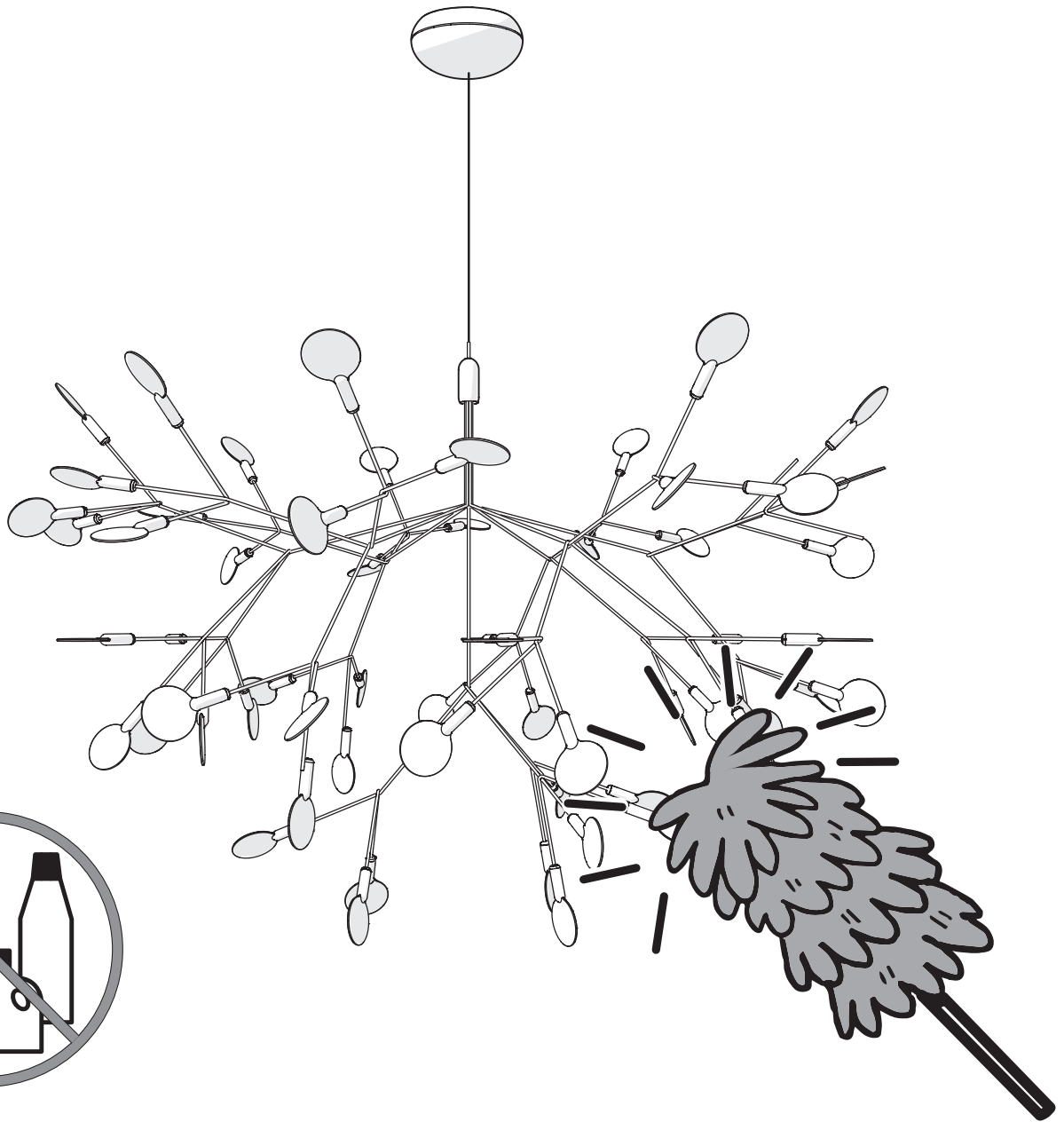
visit [www.mooui.com](http://www.mooui.com) for more information about the collection



# m o o o i

## Heracleum III Suspended Small & Large

i



visit [www.mooui.com](http://www.mooui.com) for more information about the collection

m o o o i

Heracleum III Suspended Small & Large

Thank you!  
谢谢!