

MONTE CARLO

FAN COLLECTIONS

MC93 SLOPED CEILING KIT

READ AND SAVE THESE INSTRUCTIONS

Warning: Make sure main power is turned off before handling parts replacement.

Installation work and electrical wiring must be done by qualified person(s). If you are unfamiliar with methods of installing or electrical wiring, secure the service of a qualified electrician.

All electrical connections must be in accordance with local codes, ordinances, and national electrical codes.

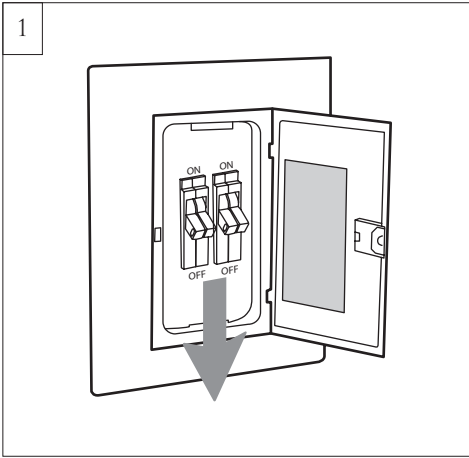
Review the installation instructions supplied with your fan. Make sure that your fan has been wired properly into the ceiling.

Warning: Cross pin and keeper pin must be installed securely with yoke and downrod, and the pin in hanger ball must be installed in slot of hanger ball and through downrod, failure to install them will result in serious injury.

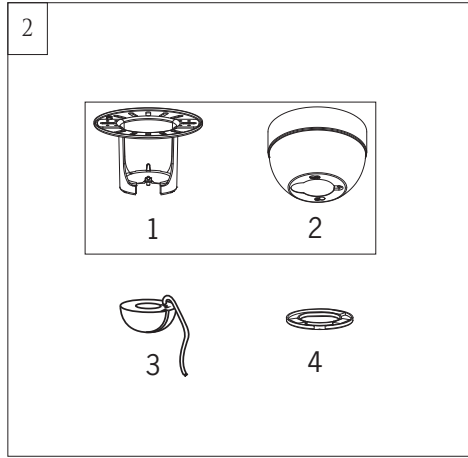
Tools Required for Assembly (not included): Electrical Tape, Phillips Screwdriver, Pliers, Safety Glasses, Stepladder and Wire Strippers

Customer Service
800-969-3347

Customer Service Center
7400 Linder Ave.
Skokie, IL 60077
www.montecarlofans.com

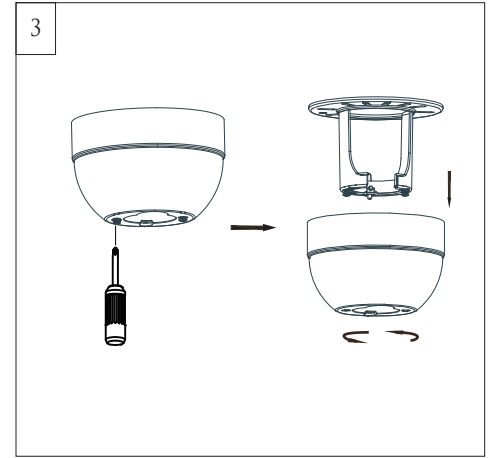


Before you begin handling parts replacement, Switch power off at Service panel and lock service disconnecting means to prevent power from being switched on accidentally. When the service disconnecting means cannot be locked, securely fasten a warning device, such as a tag, to the service panel.

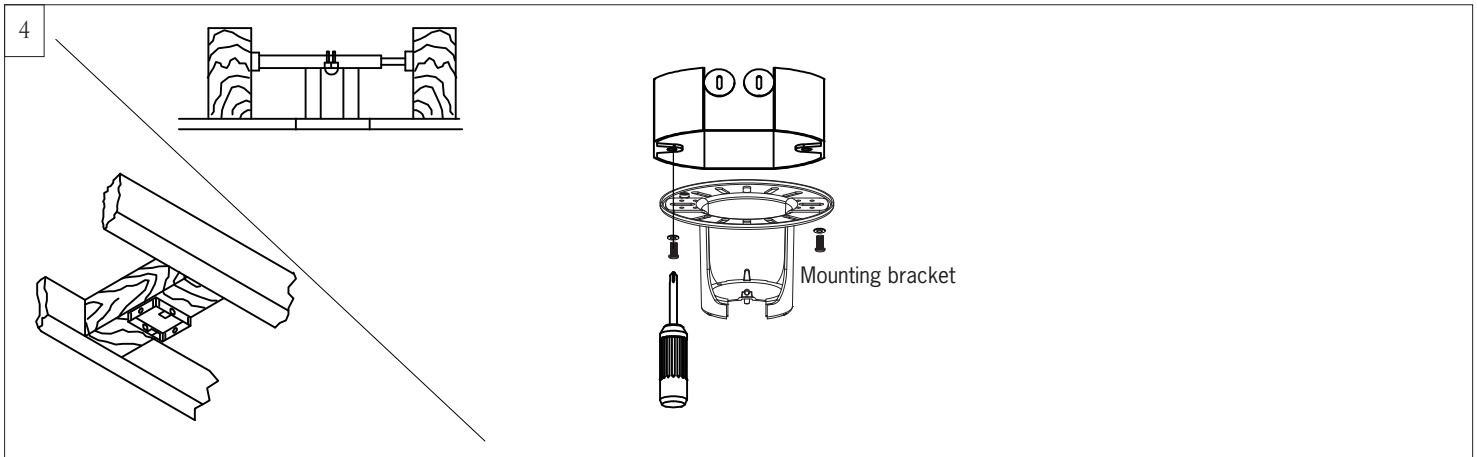


Unpacking the Kit and make sure all the components included.

1. Mounting bracket with 2 canopy screws.
2. Canopy
3. Hanger ball
4. Canopy bottom cap



Partially loosen preinstalled set screws from mounting bracket and remove the canopy from the mounting bracket.



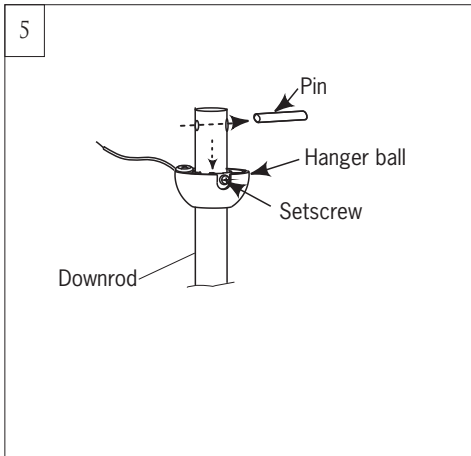
Before installing this fan make sure the outlet box is properly installed to the house structure. To reduce the risk of fire, electric shock, or personal injury, mount to outlet box or supporting system acceptable for fan support.

(Mounting must support at least 35 lbs)

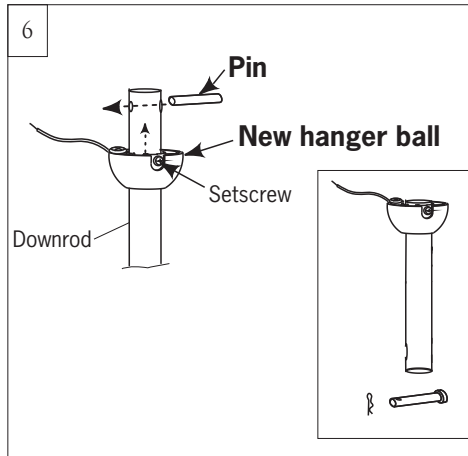
Use metal outlet box suitable for fan support and use only the screws provided with the outlet box (must support 35 lbs). Before attaching fan to outlet box, ensure the outlet box is securely fastened by at least two points to a structural ceiling member (a loose box will cause the fan to wobble). Remove the two outlet box screws provided with the box, aligning the holes of the mounting bracket with the holes of the outlet box. Reinstall the 2 outlet box screws securely.

Important: If the fan or fan with light is over 35lbs (kg), The outlet box and support structure must be securely mounted and capable of reliably supporting 50 lbs (22. 7 kg). Use only UL Listed outlet boxes marked "Acceptable for Fan Support of 50 lbs (22. 7 kg) or less."

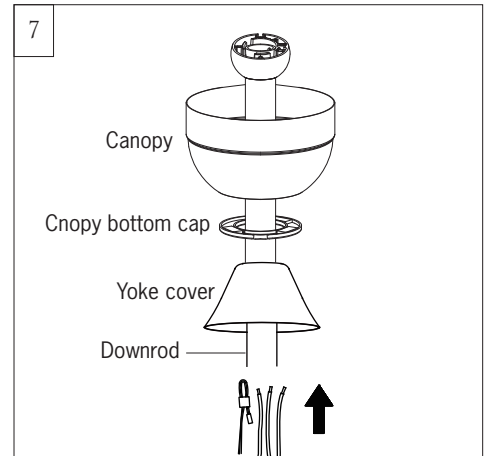
Important: If using the angle mount, make sure open end of mounting bracket is installed facing the higher point of the ceiling and make sure the ceiling angle is not steeper than 45°. Longer downrod may be necessary allowing the fan blades to rotate without obstructions.



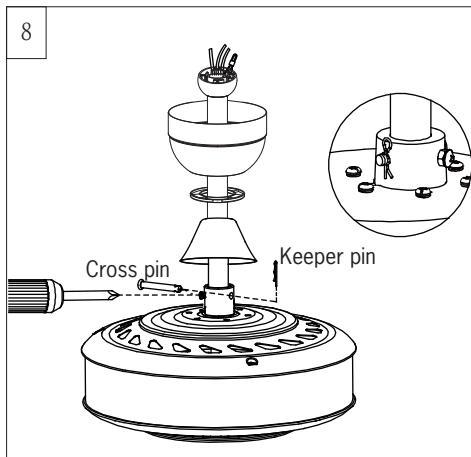
Loosen the set screw. Remove the hanger ball and pin on the downrod in fan package. Keep parts.



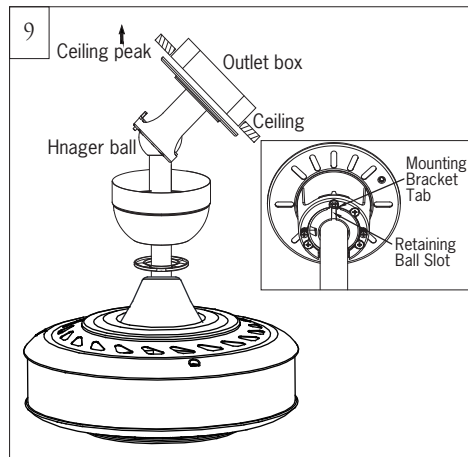
Install the **new hanger ball** and the pin onto the downrod.
Warning: Make sure the **pin** is installed well on hanger ball with downrod. Tighten the set screw securely.



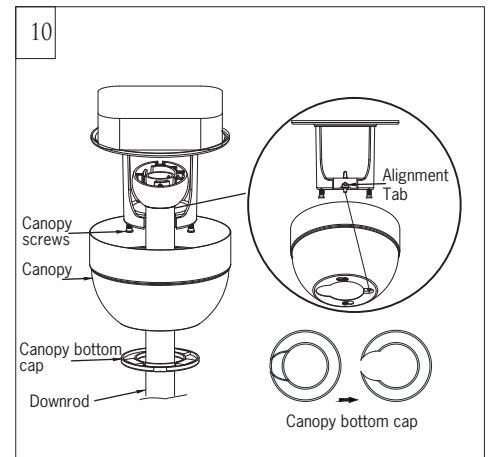
Refer to the fan installation instruction manual for fan, safety cable installing and wiring.
 Place downrod over canopy, canopy bottom cap and yoke cover (**Not all fans include yoke cover**).
 Thread lead wires and safety cable from motor assembly through downrod.



Slip downrod into motor housing yoke, aligning holes and install cross pin and keeper pin.
 Insert cross pin through yoke and downrod until point appears on the other side, and insert keeper pin on cross pin.
 Pull the downrod up tight against the cross pin, and then evenly tighten the downrod set screws on motor housing yoke.
 Place Yoke cover on motor assembly.
Warning: Cross pin and keeper pin must be installed securely, failure to install them will result in serious injury.



Install ball end of downrod into mounting bracket opening. Align (engage) slot on ball with tab on mounting bracket.
Warning: Failure to align slot on ball with tab may result in serious injury.
Important: If using the angle mount, make sure open end of mounting bracket is installed facing the higher point of the ceiling and make sure the ceiling angle is not steeper than 45°. Longer downrod may be necessary allowing the fan blades to rotate without obstructions.



Align the locking slots of the canopy with the two screws and alignment on the bottom of the mounting bracket. Push up the canopy and turn clockwise until the alignment post engage to the round hole and the screws engage to the key slots. Tighten the set screws securely.
 Break off the tab of the canopy bottom cap.
 Peel the backing off the adhesive tape strips on the inside of the decorative cover ring. Secure to the canopy by gently pressing the adhesive tape to the bottom of the canopy.

Apr.2021