

# MONTE CARLO®

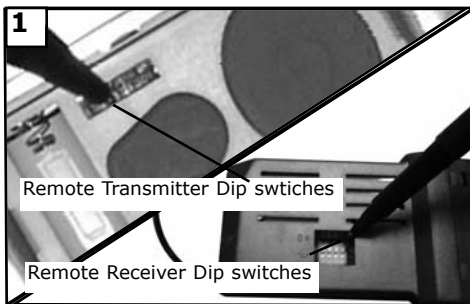
## CT-150

### REMOTE FAN WALL CONTROL

The wall control transmits the command signals via radio waves to the receiver installed in the fan's hanging bracket or on the fan. The receiver is required for the wall control to function. Power for the wall control comes from the 12V battery located in the wall remote. Duracell MN21 / Eveready A23 / GP 23A all 12V.

The frequency switches (dip switches) on the wall control and the receiver have been preset at the factory. Please recheck to make sure the switches on the wall control and receiver are set to the same position. Any combination of settings are fine as long as the wall control and ceiling fan receiver are set to the same position.

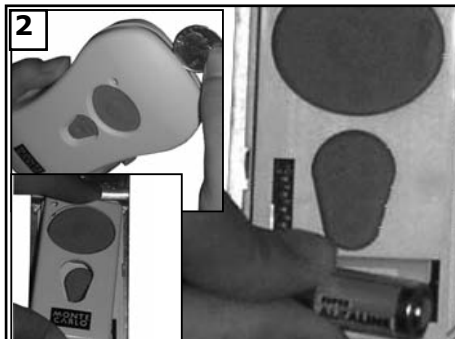
**CAUTION: TURN OFF POWER AT FUSE BOX TO AVOID POSSIBLE ELECTRICAL SHOCK.**



Remote Transmitter Dip switches

Remote Receiver Dip switches

Set dip switches on the Remote Transmitter and Remote Receiver to the same settings. This must be done so the units will communicate properly. If you have other fans you can set to control from one transmitter by setting both receivers the same as the transmitter. If you have more than one fan with remote. You can set the dip switches to different positions to have separate control.

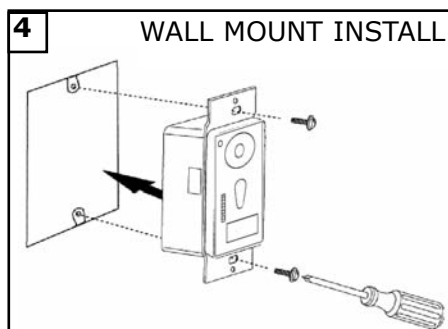


Remove cover by snapping off from top or bottom. Remove battery cover. Install 12V battery into wall remote. Duracell MN21 / Eveready A23 / GP 23A all 12V. Attach cover of remote by placing over buttons and snap the battery cover in place.



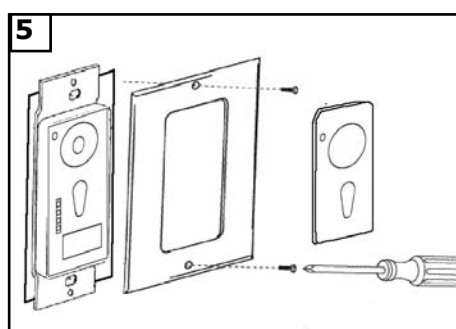
HAND HELD INSTALL

Place face plate over battery compartment and buttons. Place remote over 2 pins on front cover. Attach cover of remote by placing over 4 pins and snapping into place.



WALL MOUNT INSTALL

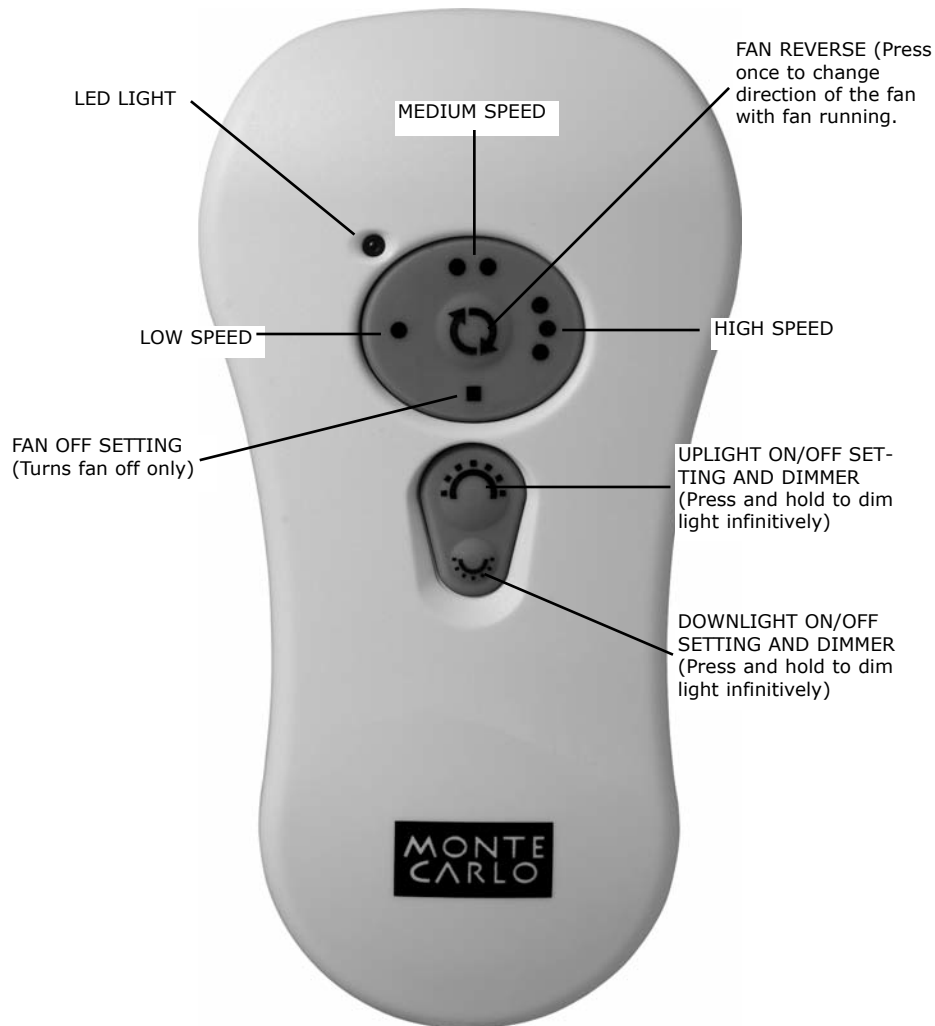
Install wall control unit to outlet box using machine screws provided.



Attach front cover to wall control with screws provided. Snap battery cover in place.

# MONTE CARLO®

## Remote Control Transmitter Features:



**FAN SPEED** Depress "1 dot" for low speed, "2 dots" for medium or "3 dots" for high. To turn fan off press square".

**LIGHT DIMMER** To turn light on, press light dimmer once quickly. To turn off press once quickly while light is on. To dim light hold down button "light dimmer". The light will cycle from bright to dim to bright until button is released. Light will maintain last setting if turned off.

**FORWARD/REVERSE** Depress rev button allow a few seconds for remote to change rotation direction with fan running.

4/23/04

REV.0

WT-150-ENG

Replaces WT-150-WH-ENG

Aug.15.09

Remove CUL logo and replace Transmitter image