

MONTE CARLO

CEILING FAN COMPANY

HANDHELD AND WALL MOUNT TRANSMITTER INSTALLATION AND OPERATION INSTRUCTION

Wall Transmitter Installation

Warning: Before proceeding, be sure to shut off electricity at main switch or circuit breaker in order to avoid electrical shock.

Note: Before installing the wall transmitter, place it in OFF position by pushing ON/OFF switch to the OFF.

Make series-wound connection for the wall transmitter with HOT wire from house. Connect a black wire from wall transmitter to the HOT wire and then connect the other wire of wall transmitter to the LOAD wire in outlet box (Follow the instruction shown on the labels on the lead wires from wall transmitter).

Connect green grounded wire to grounded wire from outlet box.

Install the wall transmitter to outlet box using machine screws provided.

Attach wall plate to wall control unit with screws provided.

Note: Place the wall transmitter in ON mode when fan installation is completed.

The switch cover can be replaced with almond cover provided. Remove it by finger and snap the new one in place. (Fig. 1)

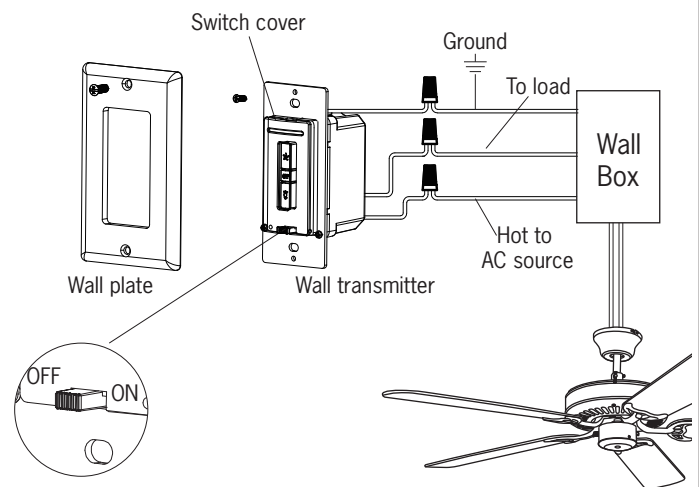


Fig. 1

Wall cradle installation

Install Transmitter wall mount cradle with 2 screws provided as shown in Fig. 2.

Install wall cradle with the direction as shown on back side of the cradle.

Useful tips:

Take remote transmitter up by pushing it at lower area of the transmitter.

The remote transmitter can be held on magnetic metal material by a magnet built in the transmitter.

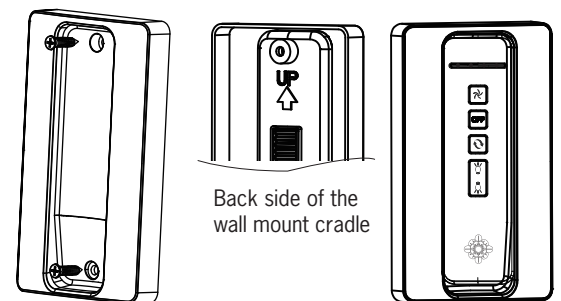


Fig. 2



MCRC1T, MCRC1RT, MCRC2RT, MCRC3W,
MCRC3RW, MCRC4RW series



REMOTE CONTROL SETTING and OPERATION

Transmitter Operation

1. Remove the battery seat from the bottom of remote control transmitter and install battery. Replace the battery seat. (Fig. 3)

Note: Use a 3 V CR2032 battery. The battery will weaken with age and should be replaced before leaking as this will damage the transmitter. Dispose of used battery properly, keep the battery out of reach for children.

Useful tips

Remove battery seat by pushing at "A" position as shown in Fig. 8 toward to right hand side and pull it out. Install CR2032 battery into battery seat (**make sure the side with "+" is upward**) and reinstall the battery seat.

2. **Learn function setting**, Restore power source to your fan, press and hold the "OFF" button for at least 4 seconds. You must press the 'OFF' button within 60 seconds of restoring power to the fan. (Fig. 3-1)

Note: If the fan is installed with light (down light), light will twinkle twice then off. The remote control setting process is complete and your fan is ready for use. For fans without light, check operation using remote transmitter.

Note: If you want to control the fan with another transmitter, make the same setting. A fan can be controlled by 2 transmitters maximum.

Note: If the power is on already, you must turn the power off, and then turn the power back for remote control learn function setting.

Note: If you press wrong buttons, you must again turn power off and turn the power back then reset learn function.

THIS DEVICE COMPLIES WITH PART 15 OF THE FCC RULES OPERATION IS SUBJECT TO THE FOLLOWING TWO CONDITIONS. (1)THIS DEVICE MAY NOT CAUSE HARMFUL INTERFERENCE AND (2) THIS DEVICE MUST ACCEPT ANY INTERFERENCE RECEIVED, INCLUDING INTERFERENCE THAT MAY CAUSE UNDESIRED OPERATION.

Tips for end users

1. If your fan is operated automatically after installation and power on, it is because your fan is still memorize the previous setting at factory. Make learn function setting and your fan will be ready for use.
2. If fan or light isn't working, reset power (turn the power off for at least 5 seconds and then turn the power back) and redo the learn function setting.
3. It is not available to separately operate the remote setting for more than one fan in the same room (in the area where remote signal can reach to) if they share the same power supply. Separate power supplies (like as using individual wall switches for each fan) is required if you want to separately control more than one fan in same room.
4. There might be other remote transmitters got the same code combination as the transmitter that you are using, you may remove the code setting of the other transmitters by turn the power off and turn it back and then push and hold the "OFF" button of the transmitter which you are using for at least 10 seconds. You must press the 'OFF' button within 60 seconds of restoring power to the fan.

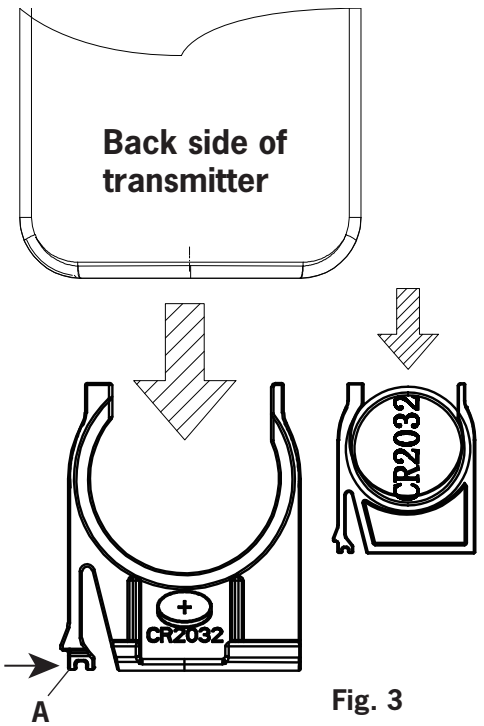


Fig. 3

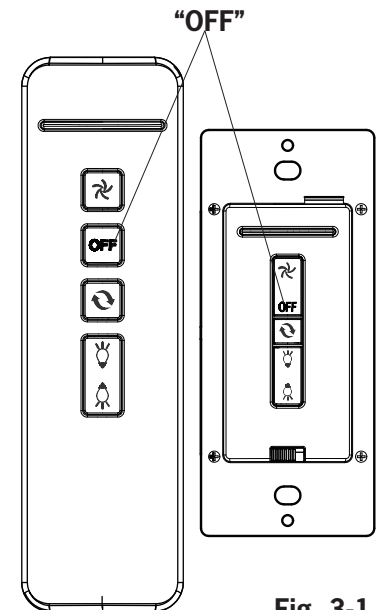


Fig. 3-1



REMOTE CONTROL SETTING and OPERATION

The buttons on the remote control transmitter control the fan speed and light as follows. (Fig. 4)



Press the button to get desired fan speed, Low to High and then High to Low cyclically.



Press the OFF button to turn fan off. Fan speed will maintain last setting if turned off.



Press this forward/reverse button to get desired airflow direction. Fan must be running to reverse. It will take about 25 seconds for fan to slow down and change rotation direction.



Up/Down light control button. Press this button quickly to turn light on or off. To dim light, hold down the button, the light will cycle from bright to dim to bright until button is released when the receiver is set at "DIM" position. Light will maintain last setting if turned off.

Note: Dimming function is not available if the dimming (DIM) and non dimming (ON/OFF) switch in receiver is set at ON/OFF position.

Note: Not all items include all the functions, refer to function chart on the page 3.

Note: Make sure the fan is set on HIGH speed and the light is in the ON position by pull chain controls originally supplied with your fan.

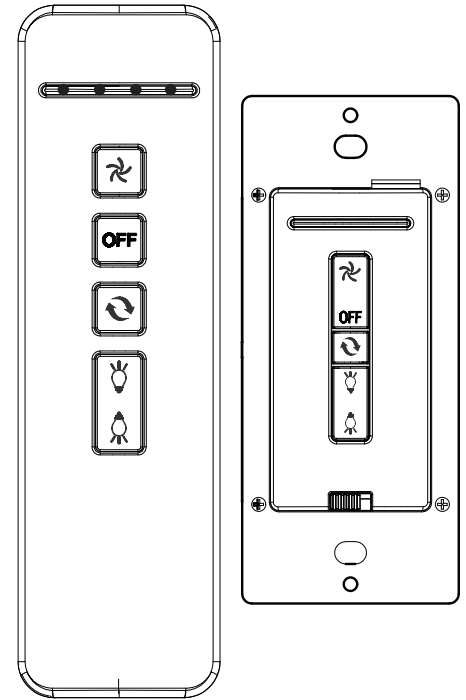


Fig. 4

Useful tips

LED indicator against fan speeds, ○○○○ Fan off, ●○○○ Low speed, ●●○○ Medium speed, ●●●○ Medium high speed and ●●●● High speed.

Item number VS Function

Model\Function	Fan Speed	Fan off	Reverse	Light	Up light	SKU #
MCRC1 series	v	v		v		MCRC1, MCRC1AL
MCRC1R series	v	v	v	v		MCRC1RRZW/RB/BS/PN/BP, MCRC1RALRZW/RB/BS/PN/BP
MCRC2R series	v	v	v	v	v	MCRC2RRZW/RB/BS/PN/BP, MCRC2RALRZW/RB/BS/PN/BP
MCRC3	v	v		v		MCRC3
MCRC3R series	v	v	v	v		MCRC3RRZW/RB/BS/PN/BP
MCRC4R series	v	v	v	v	v	MCRC4RRZW/RB/BS/PN/BP
MCRC1T series	v	v		v		MCRC1T, MCRC1TAL
MCRC1RT series	v	v	v	v		MCRC1RT, MCRC1RTAL
MCRC2RT series	v	v	v	v	v	MCRC2RT, MCRC2RTAL
MCRC3W	v	v		v		MCRC3W
MCRC3RW	v	v	v	v		MCRC3RW
MCRC4RW	v	v	v	v	v	MCRC4RW
MCRC-RC1	v	v		v		MCRC-RC1
MCRC-RC1R	v	v	v	v		MCRC-RC1R
MCRC-RC2R	v	v	v	v	v	MCRC-RC2R

Nov.2013