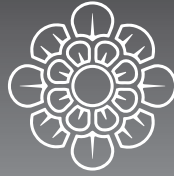
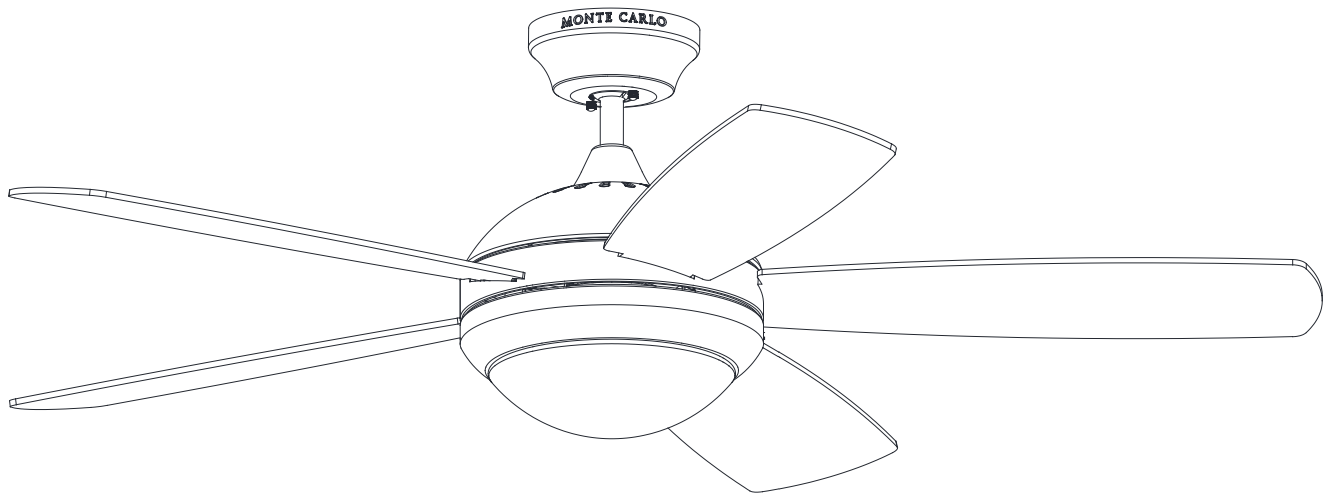


# MONTE CARLO



FAN COLLECTIONS

## Owner's Guide and Installation Manual



### 5DISM52XXD Series Fan

cETL Model NO. : 5DISM52XXD

Attach sales receipt to this card and retain as your proof of purchase

DATE OF PURCHASE: \_\_\_\_\_

RETAILER NAME: \_\_\_\_\_

MODEL NUMBER: \_\_\_\_\_

RETAILER ADDRESS: \_\_\_\_\_

To register your fixture, please visit our website [www.montecarlofans.com](http://www.montecarlofans.com)



7.3 kg  
16.06 lbs

Total fan weight with light



# Cautions and Warnings

**WARNING:** TO REDUCE THE RISK OF FIRE, ELECTRIC SHOCK, OR INJURY TO PERSONS, OBSERVE THE FOLLOWING  
READ AND SAVE THESE INSTRUCTIONS

Installation work and electrical wiring must be done by qualified person(s) in accordance with applicable codes and standards (ANSI/NFPA 70) including fire-rated construction.

Use this unit only in the manner intended by the manufacturer. If you have any questions contact the manufacturer.

After making the wire connections, the wires should be spread apart with the grounded conductor and the equipment-grounding conductor on one side of the outlet box and ungrounded conductor on the other side of the outlet box. The splices, after being made, should be turned upward and pushed carefully up into the outlet box.

**WARNING:** Before you begin installing the fan, servicing or cleaning unit, Switch power off at Service panel and lock service disconnecting means to prevent power from being switched on accidentally. When the service disconnecting means cannot be locked, securely fasten a prominent warning device, such as a tag, to the service panel.

Be cautious! Read all instructions and safety information before installing your new fan. Review the accompanying assembly diagrams.

When cutting or drilling into wall or ceiling, do not damage electrical wiring and other hidden utilities.

Make sure the installation site you choose allows the fan blades to rotate without any obstructions. Allow a minimum clearance of 7 feet from the floor to the trailing edge of the blade.

**WARNING:** To Reduce The Risk Of Fire, Electric Shock, or Personal Injury, Mount To Outlet Box Marked "Acceptable for Fan Support of 15.9 kg (35 lbs) or less" And Use Mounting Screws Provided With The Outlet Box.

**CAUTION:** For Compliance with Local Codes and Regulations, If Installing The Secondary Support Safety Cable in the U.S., Do Not Remove Knockouts In The Outlet Box. Mount the secondary support safety cable through the reserved nail/screw hole on the outlet box to the building structure (or the ceiling joist).

**WARNING:** To reduce the risk of personal injury, do not bend blade holders during installation to motor, balancing or during cleaning. Do not insert foreign object between rotating blades.

Attach the mounting bracket using only the hardware supplied with the outlet box.

**WARNING:** To reduce the risk of fire or electric shock, this fan must be installed with an isolating wall control/switch.

**WARNING:** To reduce the risk of fire or electric shock, this fan should only be used with fan speed control part no. JY11260 manufactured by Satellite Electronic ( Zhongshan ) Ltd.

**WARNING:** To reduce the risk of fire or electric shock, do not use this fan with any other solid state fan speed control device, or variable speed control.

If this unit is to be installed over a tub or shower, it must be marked as appropriate for the application.

Never place a switch where it can be reached from a tub or shower.

The combustion airflow needed for safe operation of fuel-burning equipment may be affected by this unit's operation. Follow the heating equipment manufacturer's guideline safety standards such as those published by the National Fire Protection Association (NFPA), and the American Society for Heating, Refrigeration and Air Conditioning Engineers (ASHRAE) and the local code authorities.

**CAUTION:** To Reduce the Risk of Electric Shock, Disconnect the electrical supply circuit to the fan before installing the light kit.

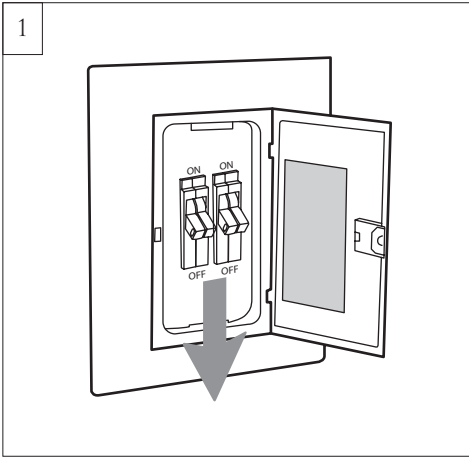
**CAUTION:** The light source is designed for this specific application and can overheat if serviced by untrained personnel. If any servicing is required, the product should be returned to an authorized service facility for examination or repair.

All set screws must be checked and tightened where necessary before installation.

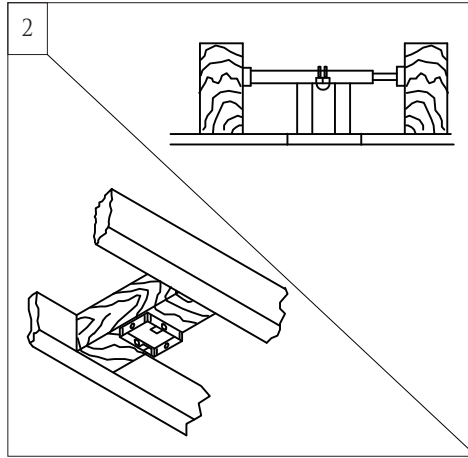
Tools Required for Assembly (not included): Electrical Tape, Phillips Screwdriver, Pliers, Safety Glasses, Stepladder and Wire Strippers

Customer Service  
800-969-3347

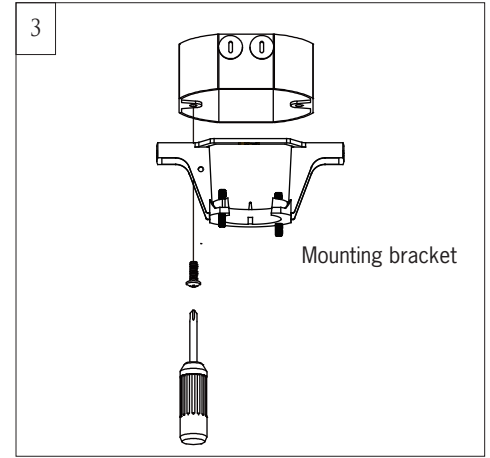
Customer Service Center  
7400 Linder Ave.  
Skokie, IL 60077  
[www.montecarlofans.com](http://www.montecarlofans.com)



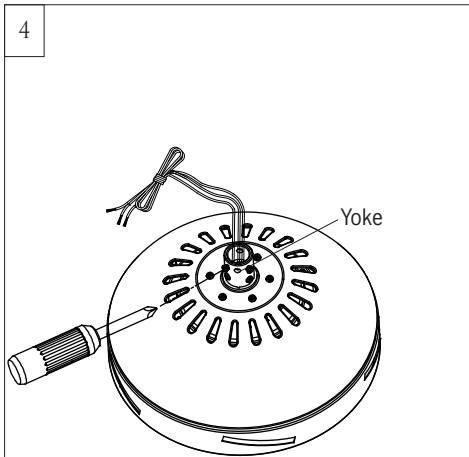
Before you begin installing the fan, Switch power off at Service panel and lock service disconnecting means to prevent power from being switched on accidentally. When the service disconnecting means cannot be locked, securely fasten a warning device, such as a tag, to the service panel.  
**Use AC 120V/60HZ power supply only.**



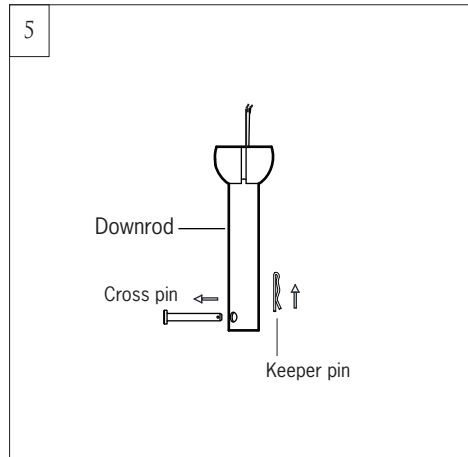
Before installing this fan make sure the outlet box is properly installed to the house structure. To reduce the risk of fire, electric shock, or personal injury, mount to outlet box or supporting system acceptable for fan support. (Mounting must support at least 35 lbs.)



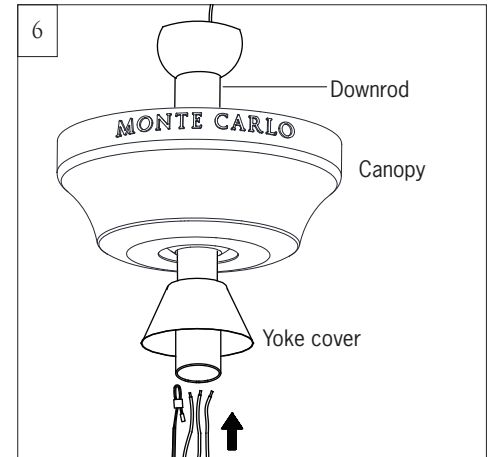
Use metal outlet box suitable for fan support and use only the screws provided with the outlet box (must support 35 lbs). Before attaching fan to outlet box, ensure the outlet box is securely fastened by at least two points to a structural ceiling member ( a loose box will cause the fan to wobble). Remove the two outlet box screws provided with the box, aligning the holes of the mounting bracket with the holes of the outlet box. Reinstall the 2 outlet box screws securely.



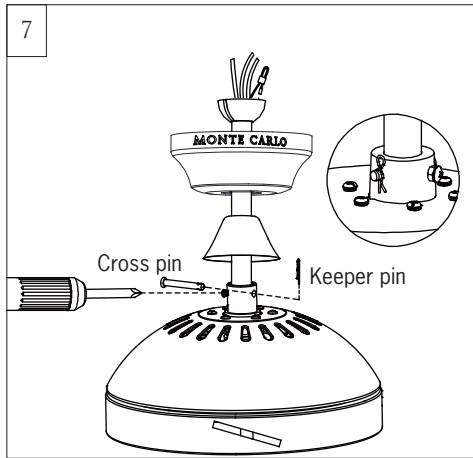
Partially loosen downrod set screws from yoke at top of motor assembly.



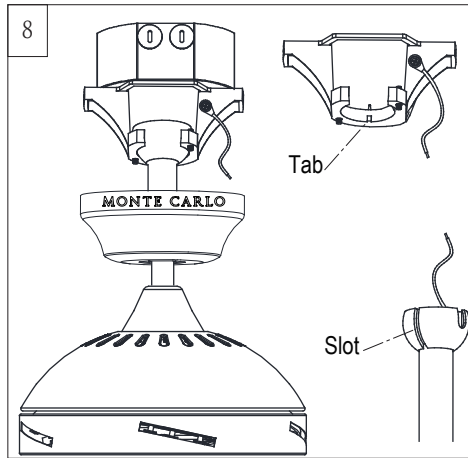
Remove preassembled cross pin and keeper pin from downrod. Keep parts



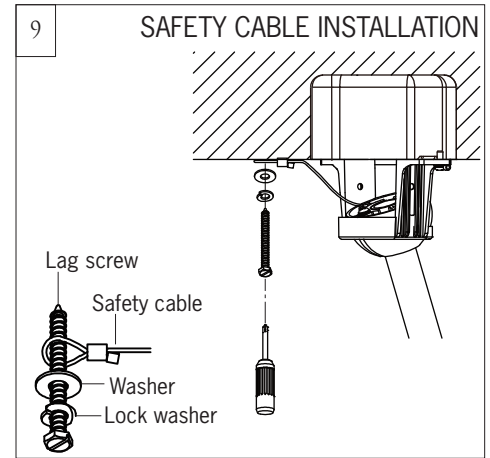
Place downrod over canopy and yoke cover. Thread lead wires and safety cable from motor assembly through downrod.



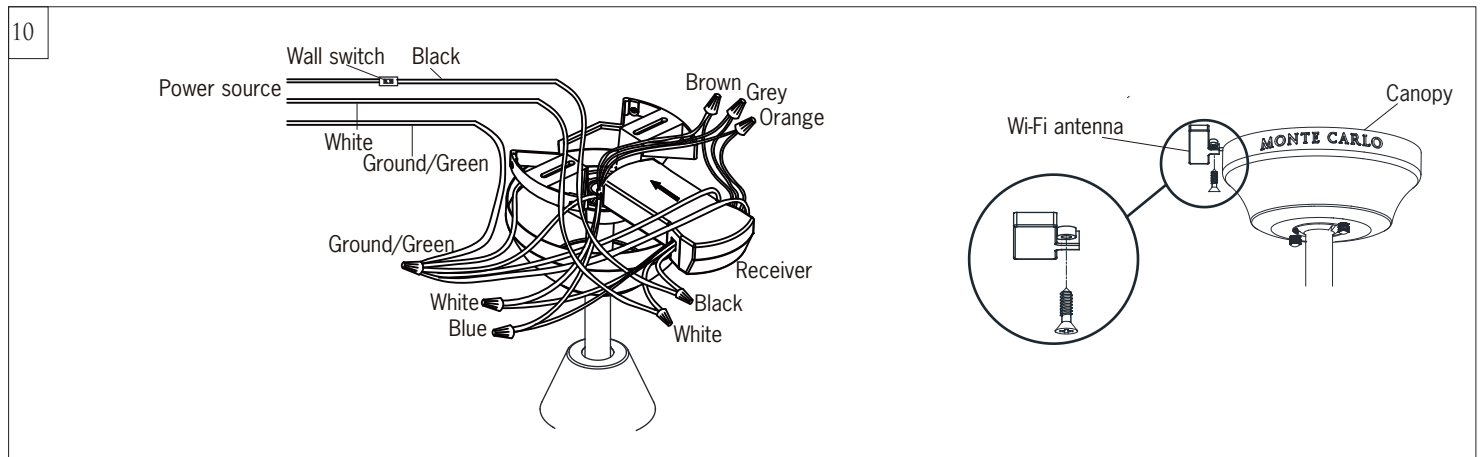
Slip downrod into motor housing yoke, aligning holes and install cross pin and keeper pin.  
 Insert cross pin through yoke and downrod until point appears on the other side, and insert keeper pin on cross pin.  
 Pull the downrod up tight against the cross pin, and then evenly tighten the downrod set screws on motor housing yoke.  
 Place yoke cover on top housing of fan.  
**Warning:** Cross pin and keeper pin must be installed securely, failure to install them will result in serious injury.



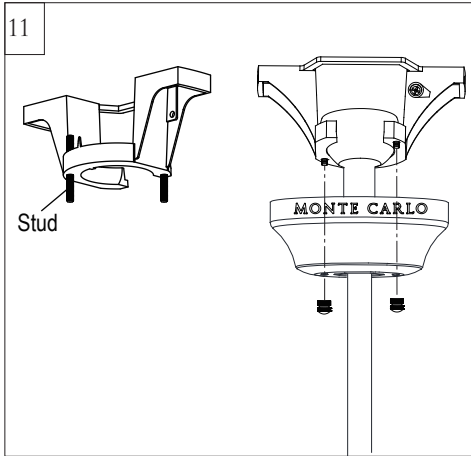
Install ball end of downrod into mounting bracket opening. Align (engage) slot on ball with tab on mounting bracket.  
**Warning:** Failure to align slot on ball with tab may result in serious injury.  
**Important:** If using the angle mount, make sure open end of mounting bracket is installed facing the higher point of the ceiling and make sure the ceiling angle is not steeper than 20°. Longer downrod may be necessary allowing the fan blades to rotate without obstructions.



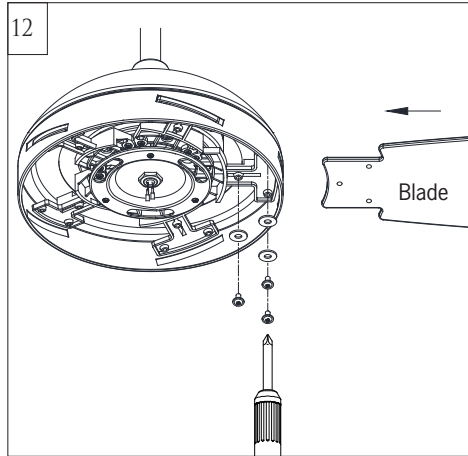
For Canadian installation and for USA fan and light kit combinations over 35 lbs, in both flush and downrod modes the safety cable must be installed into the house structure beams using 3" lag screws, washers and lock washers provided.  
 Make sure that when the safety cable is fully extended the lead wires are longer than the cable and no stress is placed on the lead wires.  
**Note:** If Installing The Secondary Support Safety Cable in the U.S., Do Not Remove Knockouts In The Outlet Box.



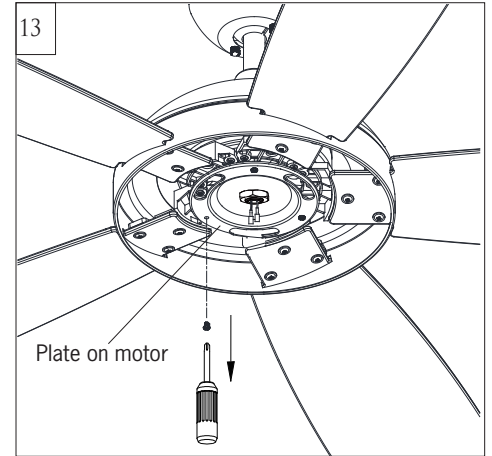
Make wiring connections using wire connectors provided as indicated above.  
 Brown wire from fan to Brown wire from receiver marked Motor U.  
 Gray wire from fan to Gray wire from receiver marked Motor V.  
 Orange wire from fan to Orange wire from receiver marked Motor W.  
 White wire from fan marked "For light" to White wire from receiver marked "For light".  
 Blue wire from fan marked "For light" to Blue wire from receiver marked "For light".  
 White (Neutral) wire from house to White wire from remote marked AC IN N.  
 Black (Live) wire from house to Black wire from remote marked AC IN L.  
 Connect all green grounded wires to Grounded wire from House.  
 Make sure that no filaments are outside of the wire connectors.  
**Note:** Insert the remote receiver into mounting bracket. Corresponding to the next installation step, install the T-shaped wi-fi antenna to the ceiling (outside of canopy) with the double-sided tape (be sure the ceiling is clean) and secure it with a wood screw provided.  
 After making the wire connections, the wires should be spread apart with the grounded conductor and the equipment-grounding conductor on one side of the outlet box and ungrounded conductor on the other side of the outlet box. The splices after being made should be turned upward and pushed carefully up into the outlet box.  
 Place the wi-fi antenna outside canopy and stick it onto ceiling.



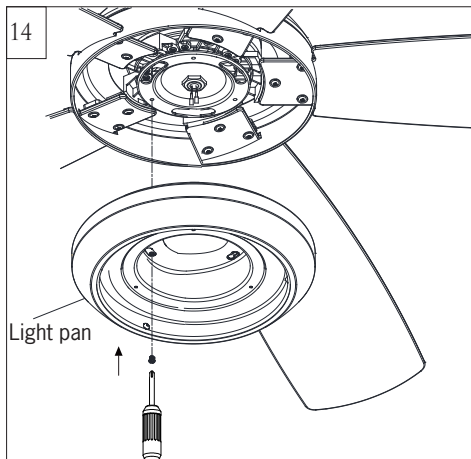
11  
Lift Canopy allowing the 2 studs to protrude through the canopy.  
Install knurled nuts as shown. Tighten the knurled nuts securely. The canopy should adjust for any irregularity in the ceiling or Outlet box.  
Make sure the studs protruding from the bottom of the Mounting bracket are installed with threads all the way through the bracket.



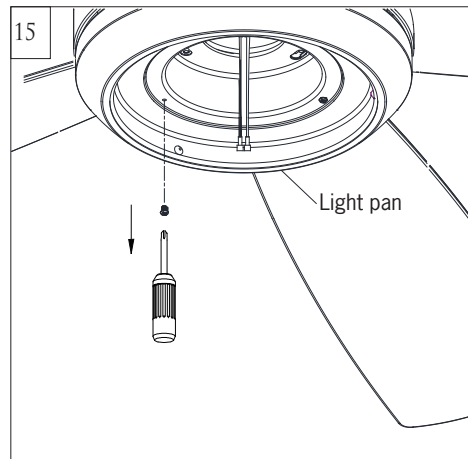
12  
Insert blade into the slot on flywheel. Install blade with screws and fiber washers provided, aligning each of the holes as shown and tighten all screws securely. Repeat this process for remaining blades.



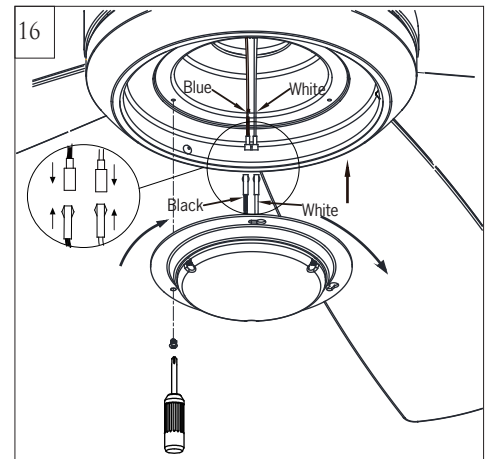
13  
Loosen 2 and remove 1 preassembled screw from the plate on motor. Save screw for later use.



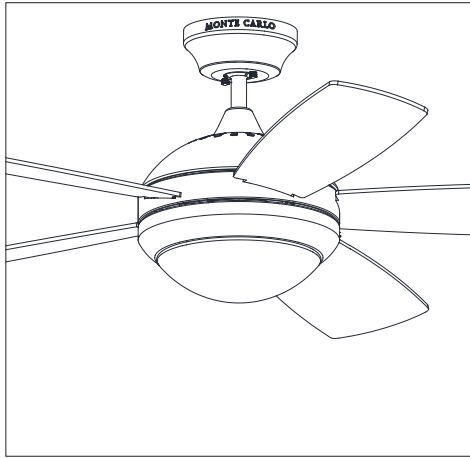
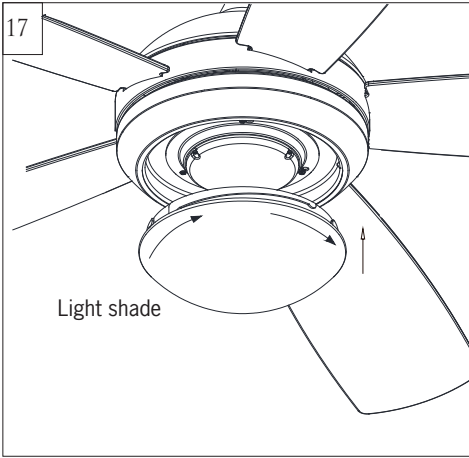
14  
Attach light pan onto the plate on motor, Place light pan over the lead wires from fan, aligning the keyhole slots on the light plate with the preassembled screws on the plate. Twist clockwise till lock. Reinstall the screw removed in step 13. Tighten all screws securely.



15  
Loosen 2 and remove 1 preassembled screw from light pan. Save screw for later use.



16  
Connect white wire from fan to white wire from LED light kit and then connect blue (or black) wire from fan to black (or blue) wire from LED light fixture. Attach LED light fixture onto the light pan, aligning the keyhole slots on the light fixture with the preassembled screws on the light pan and twist clockwise till lock. Reinstall the screw removed in step 15. Tighten all screws securely.



Attach light shade to the light pan by locating dimples in light pan with grooves on the light shade and twist clockwise till tight.

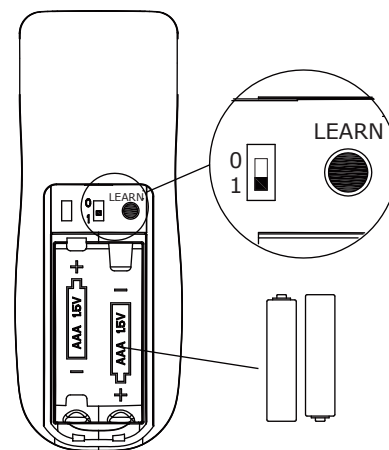


## Remote Controller Operation

Remove the battery cover from the remote control transmitter and install batteries. Replace the cover. This remote uses 2 1.5V/AAA batteries.

**Note:** If not using for long periods of time, remove battery to prevent damage to remote transmitter, and store the remote transmitter away from excess heat or humidity.

**Note:** Refer to page 9 for fan operation with Bond app.



## Universal Mode and Learning Mode

There are “Universal Mode” and “Learning Mode” (marks “0” and “1”) with the remote controller.

If choosing “**Universal Mode**”, simply place dip (code) switch at Upper position (mark “0”). Your fan with the remote controller is ready to use.

**Note:** If using universal mode, your fan can be controlled with other remote transmitters with the same setting.

To control the fan with specific remote transmitter, choose “**Learning Mode**” by placing the dip (code) switch at Lower (mark “1”) position and then make learn function setting as below.

## Learn Function Setting

Restore power to your fan, press and hold the “LEARN” button to pair the Transmitter and receiver. You must press the ‘LEARN’ button within 60 seconds of restoring power to the fan.

**Note:** Fan will operate at lowest speed for 10 second and light will blinks after the setting.

**Note:** If the power is on already, you must turn the power off then turn the power back for remote control setting.

**Note:** If reset the dip switch to “0” position (universal mold). It has to be paired again, run the learn function setting.


**The buttons on the remote control transmitter control the fan speed and light as follows.**

Fan speed  as LED indicator shown below


○ ○ ○ ○ ○ fan off ● ○ ○ ○ ○ minimum speed ● ● ○ ○ ○ low speed

● ● ● ○ ○ medium low speed ● ● ● ● ○ medium speed ● ● ● ● ● high speed

 This power button turns the fan on or off.

 Forward/Reverse button- This button is to control direction of fan rotation. Press once to change direction of the fan rotation. Fan must be running to reverse.

 Light button- Press this button to turn light on or off.


 Light button- Press this button to desired brightness, dim to bright.

 Light button- Press this button to desired brightness, bright to dim.

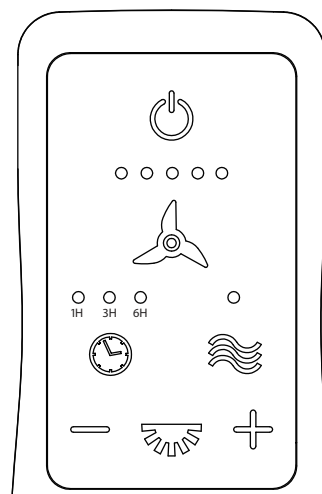
 Breeze-

Press the Breeze button, fan will operates randomly among minimum, low and medium low speed at intervals of 30 seconds until the breeze mold is canceled.

Breeze mold can be erased by pressing the buttons of power or speed control

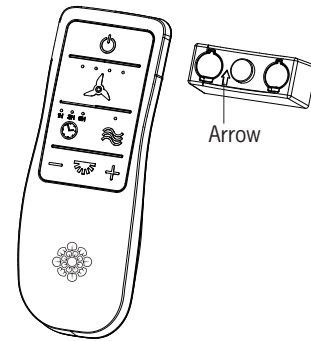
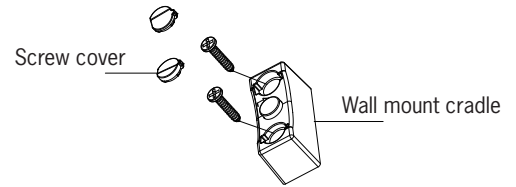
 Timer- While the fan is on, press the button once to turn on the fan for an hour. Press the button twice to turn on the fan for 3 hours, Press the button 3 times to turn on the fan for 6 hours. Press the button 4 times to cancel the timer function.

**Note:** This remote controller has auto resume function, the fan and light will maintain the last setting if turned off with exception of the Breeze mold.





Install Transmitter wall mount cradle with 2 screws provided.  
Ensure the arrow on wall mount cradle is pointing upward.  
Cover the set screws with screw covers.



### The receiver provides the following protective functions

**Lock protection-** The DC motor has a build-in safety feature against blade obstruction during operation. If something obstructs the fan blades, the motor will stop operation after about 20 seconds of interruption. Please remove obstacles and reset it by turning the power off, and turn it back.

**Over 40W protection-** When the receiver detects motor power consumption which is greater than 40W, the fan RPM will be lowered to protect it from overloading.

THIS DEVICE COMPLIES WITH PART 15 OF THE FCC RULES OPERATION IS SUBJECT TO THE FOLLOWING TWO CONDITIONS. (1) THIS DEVICE MAY NOT CAUSE HARMFUL INTERFERENCE AND (2) THIS DEVICE MUST ACCEPT ANY INTERFERENCE RECEIVED, INCLUDING INTERFERENCE THAT MAY CAUSE UNDESIRE OPERATION.

### Tips for end users

1. If your fan is operated automatically after installation and power on, it is because your fan is still memorize the previous setting at factory. Make Remote control setting (learn function) and your fan will be ready for use.
2. If fan or light isn't working, reset power (turn the power off then turn the power back) and redo the remote setting.
3. It is not available to separately operate the remote setting for more than one fan in the same room (in the area where remote signal can reach to) if they share the same power supply. Separate power supplies (like as using individual wall switches for each fan and turn power off for the fan while you are making learn function for other fan) is required if you want to separately control more than one fan in same room (in the area where remote signal can reach). Turn power on for the fan you would make learn function setting, and turn power off for the other fan.
4. When fan is turned on or operated forward/reverse function, it shutters & goes back & forth until it turns. It is a normal performance of this fan and it will take for few seconds to run this operation.





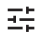
## Fan operation with Bond Home APP

Download the Bond Home app with your smart devices. The app is available on the Google Play Store and Apple Store.  
Or get it from bond home link, <http://bondhome.io/app>




Create a new account following on-screen operating steps.

Make the fan (Smart by Bond wi-fi receiver) connection with wi-fi router. Within 60 seconds of restoring power to the fan, Press and hold the “Power” button of transmitter for 5 seconds until light blinks and fan runs at lowest speed for about 10 seconds. Your fan has now successfully learned the transmitter.

**Note:** If you haven’t made “learn” function setting for the fan remote yet. You may handle it via the bond app. On the fan operation UI, tap device setting “” at upper right area and select Manage Remotes.

**Note:** Check and make sure power on and Wi-Fi router is functional.


To add a new device. Press “+” and choose Smart by Bond, and following on-screen information and set up your fan (Wi-Fi receiver) with smart phone/device and Wi-Fi router.

Tap “” on the bond app at lower left area, select Schedules and following on-screen information to set up schedule.

**Note:** If “Bond Configuration” Wi-Fi network cannot be found, try pressing and holding the button of power on the remote transmitter for 10 seconds, the Wi-Fi network should re-appear.

**Note:** You may control fan from multiple smart phones or tablets by logging onto the same Bond Home account on all the smart phones/tablets.

### Compatible with Amazon Alexa, Google Home and Samsung SmartThings

Tap “” on the bond app at lower left area, select Manage Integrations and you may find the Smart Cloud integrations. .

Or you may download Alexa, Google Home, Samsung SmartThings app. You may need to sign up an account if you don’t have it yet. Sign in your Alexa/Google Home/Samsung SmartThings account.

- Login Amazon Alexa, Google Home or Samsung SmartThings app to enable the skill and discover the MC Fan with Smart by Bond wi-fi receiver.
- Come back to the Smart device with bond app and define the device/MC Fan.

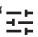

Connect to Amazon Echo, Google Home or Samsung SmartThings to make your fan can be voice-activated, and available with UI (User interface) of Amazon Echo, Google Home or Samsung SmartThings.

### Initialize (Factory reset) the wi-fi receiver

If there are questions on the fan operation with bond app, following below steps to initialize the wi-fi receiver and redo bond app setting.

Turn the fan power off, and then turn the power back. Within 30 seconds, press and hold the button of Timer on the transmitter for 15 seconds until light blinks. The receiver has been initialized.

Wait for 10 seconds and redo bond app setting.

Initialization (Factory resetting) can also be performed via the app: Tap device setting “” and then tap “” at upper right corner to remove device, and then select “Wipe All Data”.



# Trouble Shooting

If you have difficulty operating your new ceiling fan, it may be the result of incorrect assembly, installation, or wiring. In some cases, these installation errors may be mistaken for defects. If you experience any faults, please check this Trouble Shooting Chart. If a problem cannot be remedied, or you are experiencing difficulty in installation, please call our Customer Service Center at the number printed on your parts list insert sheet.

**Warning:** Before servicing or cleaning unit, Switch power off at Service panel and lock service disconnecting means to prevent power from being switched on accidentally. When the service disconnecting means cannot be locked, securely fasten a prominent warning device, such as a tag, to the service panel.

Trouble	Suggested Remedy
1. If fan does not start:	<ol style="list-style-type: none"><li>1.Check main and branch circuit fuses or circuit breakers.</li><li>2.Check line wire connections to fan and switch wire connections in switch housing.</li></ol> <p><b>CAUTION:</b> Make sure main power is turned off.</p> <ol style="list-style-type: none"><li>3.If this fan uses manual forward/reverse switch, make sure the switch is pushed firmly either way. Fan will not operate when switch is in the middle.</li><li>4.If this fan uses remote controller, make sure dip switches are setting properly and make sure battery is effective.</li></ol>
2. If fan sounds noisy:	<ol style="list-style-type: none"><li>1.Check to make sure all screws in motor housing are snug (not over tightened).</li><li>2.Check to make sure the screws which attach the fan blade holder to the motor are tight.</li><li>3.Check to make sure wire nut connectors in switch housing are not rattling against each other or against the interior wall of the switch housing.</li></ol> <p><b>CAUTION:</b> Make sure main power is turned off before entering switch housing.</p> <ol style="list-style-type: none"><li>4.Check to be sure light bulb is tight in socket and not touching the glass shade.</li><li>5.Some fan motors are sensitive to signals from Solid State variable speed controls.</li><li>6.Allow "break-in" period of 24 hours. Most noises associated with a new fan will disappear after this period.</li></ol>
3. If fan wobbles:	<ol style="list-style-type: none"><li>1.If this is a downrod mount fan, make sure the ridge on mounting bracket engages the notch in the downrod ball.</li><li>2.Make sure that canopy, mounting bracket or mounting plate are tightened securely to ceiling junction box and junction box is mounted firmly to ceiling joist.</li><li>3.Check that all blades are screwed firmly into blade holders.</li><li>4.Check that all blade holders are tightened securely to motor.</li><li>5.Most fan wobble problems are caused when blade levels are unequal. Check this level by selecting a point on the ceiling above the tip of one of the blades. Measure this distance from blade tip to ceiling. Keeping measure within 1/8", rotate the fan until the next blade is positioned for measurement. Repeat for each blade. If all blade levels are not equal, you can adjust blade levels by the following procedure. To adjust a blade tip down, insert a washer (not supplied) between the blade and blade holder at the screw closest to the motor. To adjust a blade tip up, insert washer (not supplied) between the blade and blade holder at the two screws farthest from the motor. Reverse the position of the washer if blades mount from top of blade.</li><li>6.If blade wobble is still noticeable, interchanging two adjacent (side by side) blades can redistribute the weight and possibly result in smoother operation.</li></ol> <p>If the above steps do not eliminate the wobble problem, you will need to dynamic balance your fan with balancing kit provided.</p>
4. If light does not work:	<ol style="list-style-type: none"><li>1.Check blue wire from fan to make sure it is connected to hot wire from house.</li><li>2.Check for loose or disconnected wires in fan switch housing.</li><li>3.Check for loose or disconnected wires in light kit.</li><li>4.Check for faulty light bulb and make sure bulb is tight in socket.</li><li>5.Remove light kit and check the plug connections if they are present.</li><li>6.If this fan uses remote controller, make sure dip switches are setting properly and make sure battery is effective.</li></ol> <p><b>CAUTION:</b> Make sure main power is turned off before entering switch housing and/or canopy.</p>

