



Project:

Location:

Fixture Type:

Catalog Number:

**AVAILABLE FINISHES:**



# Lior

WS-58329

**PRODUCT DESCRIPTION**

Gorgeous illuminated lines of light. Gracefully curving into a refined linear wall luminaire that adds modern elegance to any space.

**FEATURES**

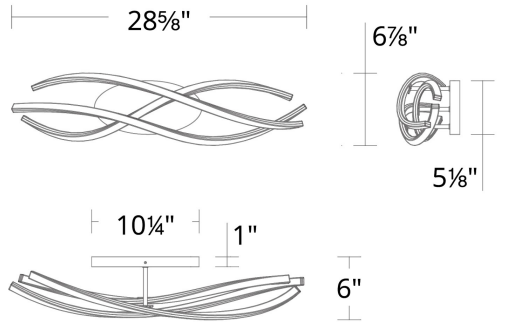
- Driver concealed within the canopy
- Each unique free formed handcrafted piece lends itself to variations in size and curvature
- Slide-on canopy with minimal hardware

**SPECIFICATIONS**

Rated Life	60000 Hours
Standards	ETL, cETL, Damp Location Listed, Title 24 JA8: 2019 Compliant
Input	120-277V, 50/60Hz
Dimming	ELV, 0-10V, TRIAC
Mounting	Can be mounted on wall in all orientations
Color Temp	3000K
CRI	90
Construction	Extruded aluminum body with silica diffuser

**REPLACEMENT PARTS**

HDW-HY23-WA - Hardware Pack

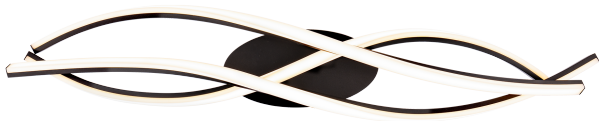


WS-58329

Model & Size	Color Temp	Finish	LED Watts	LED Lumens	Delivered Lumens
WS-58329 29"	3000K	BK Black	30.5W	2513	1284

Example: **WS-58329-BK**

For custom requests please contact [customs@modernforms.com](mailto:customs@modernforms.com)



Project:

Location:

Fixture Type:

Catalog Number:

**AVAILABLE FINISHES:**



# Lior

WS-58338

**PRODUCT DESCRIPTION**

Gorgeous illuminated lines of light. Gracefully curving into a refined linear wall luminaire that adds modern elegance to any space.

**FEATURES**

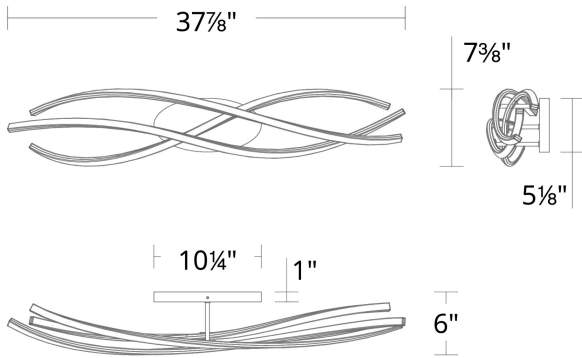
- Driver concealed within the canopy
- Each unique free formed handcrafted piece lends itself to variations in size and curvature
- Slide-on canopy with minimal hardware

**SPECIFICATIONS**

Rated Life	60000 Hours
Standards	ETL, cETL,Damp Location Listed,Title 24 JA8: 2019 Compliant
Input	120-277V,50/60Hz
Dimming	ELV, 0-10V, TRIAC
Mounting	Can be mounted on wall in all orientations
Color Temp	3000K
CRI	90
Construction	Extruded aluminum body with silica diffuser

**REPLACEMENT PARTS**

HDW-HY23-WA - Hardware Pack



WS-58338

Model & Size	Color Temp	Finish	LED Watts	LED Lumens	Delivered Lumens
WS-58338 38"	3000K	BK Black	42.5W	3050	1559

Example: **WS-58338-BK**

For custom requests please contact [customs@modernforms.com](mailto:customs@modernforms.com)