



Project: _____

Location: _____

Fixture Type: _____

Catalog Number: _____

AVAILABLE FINISHES:



Cosmic

PD-28807

PRODUCT DESCRIPTION

Bring dramatic visual flourish into your restaurant, hotel lobby or event space with Cosmic's massive dazzling art glass spheres— when filled with light, the bubbling and marbling effects of the 7-step art-glassmaking process captivates the room like celestial forms. It's easy to install, it's easy to adjust the length of the suspension, and it's easy to marvel at this spectacular piece, whether you choose the single pendant form or the chandelier.

FEATURES

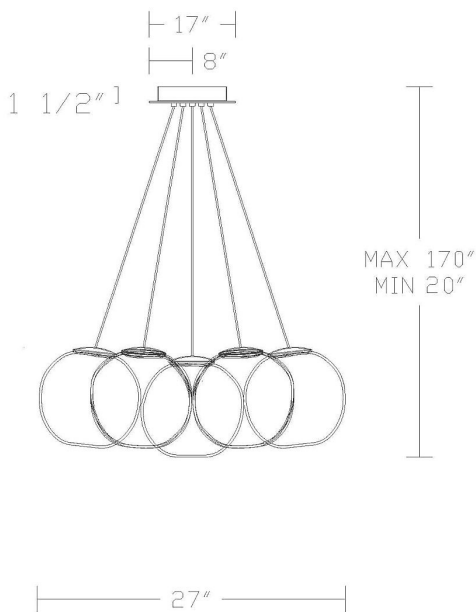
- Driver concealed within the canopy
- Steel spun hardware, seven step glass for sparkling bubble and marbled effect
- Art glass comprised of individually unique impressions and marbling pattern
- Indirect illumination

SPECIFICATIONS

Rated Life	50000 Hours
Standards	ETL, cETL, Damp Location Listed, 2019 Compliant
Input	120-277V, 50/60Hz
Dimming	ELV
Color Temp	3000K
CRI	90
Construction	Aluminum hardware, art glass for sparkling bubble and marbled effect

REPLACEMENT PARTS

RPL-GLA-28801 - Glass



Model & Size	Color Temp & CRI	Watt	Lumens	Finish
PD-28807 27" - 7 Lights	3000K 90 3000K 90	49W 49W	3492 3492	BK Black BN Brushed Nickel

Example: **PD-28807-BN**

For custom requests please contact customs@modernforms.com



Project: _____

Location: _____

Fixture Type: _____

Catalog Number: _____

AVAILABLE FINISHES:



Cosmic

PD-28812

PRODUCT DESCRIPTION

Bring dramatic visual flourish into your restaurant, hotel lobby or event space with Cosmic's massive dazzling art glass spheres— when filled with light, the bubbling and marbling effects of the 7-step art-glassmaking process captivates the room like celestial forms. It's easy to install, it's easy to adjust the length of the suspension, and it's easy to marvel at this spectacular piece, whether you choose the single pendant form or the chandelier.

FEATURES

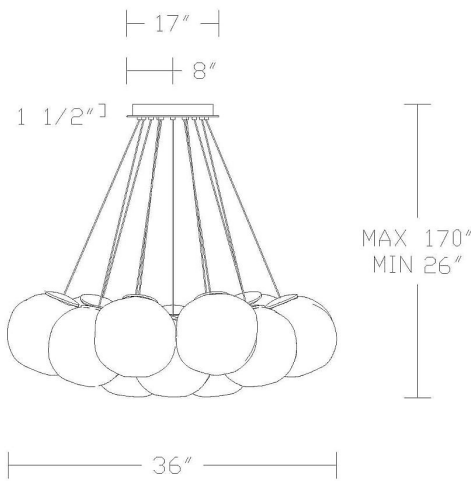
- Driver concealed within the canopy
- Steel spun hardware, seven step glass for sparkling bubble and marbled effect
- Art glass comprised of individually unique impressions and marbling pattern
- Indirect illumination
- NEC CODE (314.24) requires that ceiling outlet boxes in the U.S. support up to 50 lbs.
- This fixture in the 12 light format exceeds 50 lbs. and must be installed using a U.L. listed outlet box approved for up to 100 lbs. or supported independently of the outlet box

SPECIFICATIONS

Rated Life	50000 Hours
Standards	ETL, cETL, Damp Location Listed, 2019 Compliant
Input	120-277V, 50/60Hz
Dimming	ELV
Color Temp	3000K
CRI	90
Construction	Aluminum hardware, art glass for sparkling bubble and marbled effect

REPLACEMENT PARTS

RPL-GLA-28801 - Glass



Model & Size	Color Temp & CRI	Watt	Lumens	Finish
PD-28812 36" - 12 Lights	3000K 90 3000K 90	84W 84W	5601 5601	BK Black BN Brushed Nickel

Example: **PD-28812-BN**

For custom requests please contact customs@modernforms.com