



Project: \_\_\_\_\_

Location: \_\_\_\_\_

Fixture Type: \_\_\_\_\_

Catalog Number: \_\_\_\_\_

**AVAILABLE FINISHES:**



# Black Jack

PD-44344

**PRODUCT DESCRIPTION**

Sleek surfboard of illumination. Right on the cutting edge of design, from nose to tail with robust light in between.

**FEATURES**

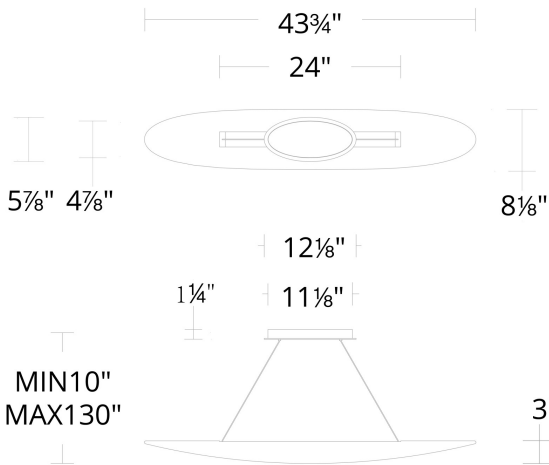
- Driver concealed within the canopy
- Up and downward illumination
- Slide-on oval canopy with minimal hardware
- Thin powered aircraft cables provide an ultra clean look for adjustable suspension height
- Can be mounted on a sloped ceiling

**SPECIFICATIONS**

<b>Rated Life</b>	50000 Hours
<b>Standards</b>	ETL, cETL,Damp Location Listed,Title 24 JA8: 2019 Compliant
<b>Input</b>	120/277V,50/60Hz
<b>Dimming</b>	ELV: 100-5%,TRIAC: 100-5%
<b>Color Temp</b>	3000K
<b>CRI</b>	90
<b>Construction</b>	Metal body with PC diffuser

**REPLACEMENT PARTS**

HDW-HY23-WA - Hardware Pack



PD-44344

Model & Size	Color Temp	Finish	LED Watts	LED Lumens	Delivered Lumens
PD-44344 44"	3000K	BK Black	54.5W	5400	3381

Example: **PD-44344-BK**

For custom requests please contact [customs@modernforms.com](mailto:customs@modernforms.com)