



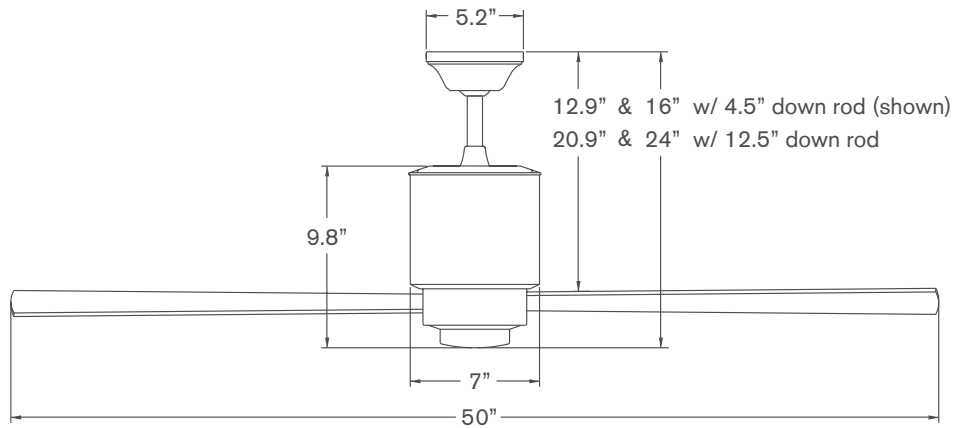
Lapa



Lapa > Configure item number from attributes below.

#LAP	Finish	Blade Span	Blade Color	Light Option	Control Option
-	-	-	-	-	-
▲	▲	▲	▲	▲	▲
	GW Gloss White	50 50" Span	WH White	NL No Light	001 Fan Speed Only
	BN Bright Nickel		NK Nickel	552 17W LED	002 Fan & Light – 3 Wire
	GV Galvanized		SV Silver		003 Handheld Remote
	DB Dark Bronze		BK Black		004 Fan & Light – 2 Wire
			MP Maple		005 Wall/Remote Combo
			MG Mahogany		

Dimensions



Specifications

- 153mm x 18mm AC motor with reverse switch on fan body
- Stamped and spun steel construction
- 50" span, plywood blades
- Includes 4.5" and 12.5" down rods (longer options also available)
- Optional LED Light: 17W, 90 CRI, 3000K, 1600 lumens (dimmable) behind an opal glass diffuser; adds 3.5" to length of fan; CA Title 24, JA8-2019 compliant
- Slope compatible up to 33°; adapter available for slopes up to 45°
- Designed by Ron Rezek
- ETL listed for dry and damp locations
- Weight: 16 lbs (7.3 kgs)

Performance Data

LOWEST SPEED

RPM: 70
CFM: 1,615
Watts: 10.88
CFM/W: 148

HIGHEST SPEED

RPM: 190
CFM: 4,626
Watts: 60.85
CFM/W: 76

Energy Guide Data

Average Energy Use
38 Watts

Average Airflow
3,215 CFM

Yearly Energy Cost
\$11

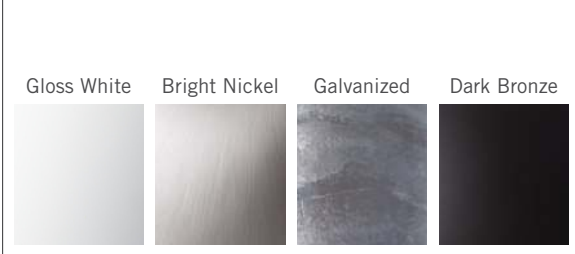
Average Efficiency
84 CFM/Watt

Energy Guide Data represents weighted averages of low speed and high speed performance, assuming typical use (excluding light). For more information, visit www.modernfan.com.

Lapa

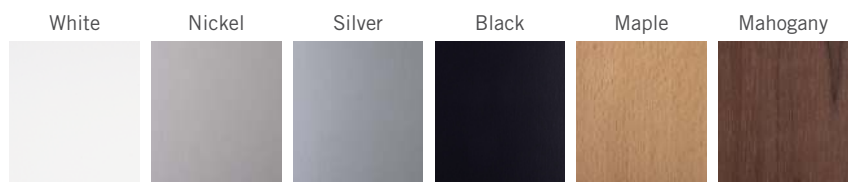


FAN FINISHES



PLYWOOD BLADES

Plywood blades are constructed of furniture grade veneers, painted or stained as shown here. Natural variations may exist in woodgrains and finishes.



LAPA FAN CONTROLS

Selection of a control option is made at time of order and incorporated into the fan item number (except #FC-009A and #FC-009B which are sold as accessory items).



#FC-001
Fan Speed Only Control
(no light)
For a single AC fan, providing four speeds. Not intended for a fan with light. *Note: Not compatible with remote control.*



#FC-002
Fan & Light Control-3 Wire
For a single AC fan with LED light, providing four speeds and dimming function. Requires three wires from switch location to fan. *Note: Not compatible with remote control.*



#FC-003-LED
Handheld Remote RF Control
Designed for independent operation a single AC fan or AC fan with LED light, providing three speeds and full range dimming (or "on/off" switching), using only one circuit (two wires). Includes RF handset, receiver, battery and comes with a wall mounting bracket for handset.



#FC-004-LED Fan & Light RF Control-2 Wire
Designed for independent operation of a single AC fan or AC fan with LED light, providing three speeds and full range dimming (or "on/off" switching), using only one circuit (two wires). Includes RF wall control (with master power switch), switch plate and receiver.



#FC-005-LED
Wall/Remote Combo RF Control-2 Wire
Designed for independent operation of a single AC fan or AC fan with LED light, providing three speeds and full range dimming (or "on/off" switching), using only one circuit (two wires). Includes RF handset, RF wall control (with master power switch), switch plate and receiver.



#FC-009A / #FC-009B
Multi-fan Speed Controls for AC Fans
(no lights)
Sold as an accessory item, providing three speeds for multiple AC fans on a single switch leg.
FC-009A for 2-3 fans
FC-009B for 3-6 fans
Note: Not compatible with remote control. Control of fan lights must be accounted for separately with owner provided control on separate switch leg.

DOWN RODS

The Lapa ships standard with 4.5" and 12.5" down rods. Use the following part numbers to order accessory down rods.

#DRD	Finish	Length
-	-	-
▲	-	▲
GW	Gloss White	12 12"
BN	Bright Nickel	24 24"
GV	Galvanized	36 36"
DB	Dark Bronze	48 48"
		60 60"
		72 72"

SLOPE ADAPTER

The Lapa will accommodate ceiling slopes up to 33 degrees. The #045 slope adapter can accommodate slopes exceeding 33 degrees and up to 45 degrees.

#045	Finish
-	-
▲	-
GW	Gloss White
BN	Bright Nickel
GV	Galvanized
DB	Dark Bronze