



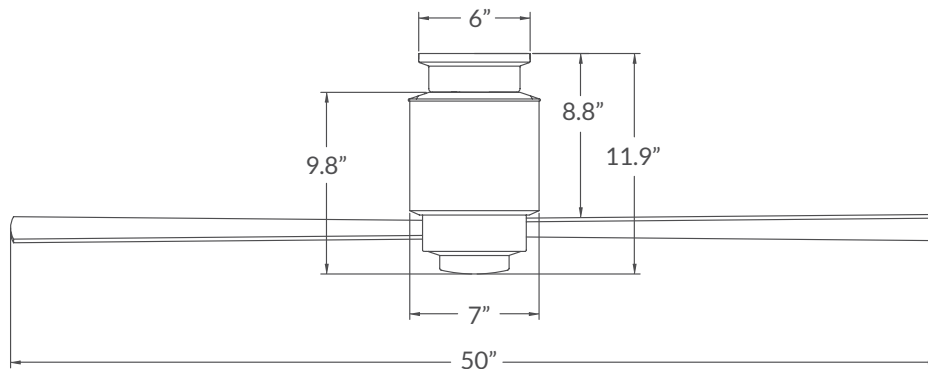
# Lapa Flush



Lapa Flush > Configure item number from attributes below.

| Finish                                                                                                 | Blade Span              | Blade Color                                                                                                              | Light Option                                  | Control Option                                                                                                                                                     |
|--------------------------------------------------------------------------------------------------------|-------------------------|--------------------------------------------------------------------------------------------------------------------------|-----------------------------------------------|--------------------------------------------------------------------------------------------------------------------------------------------------------------------|
| #LAP-FM -                                                                                              | -                       | -                                                                                                                        | -                                             | -                                                                                                                                                                  |
| ▲<br><b>GW</b> Gloss White<br><b>BN</b> Bright Nickel<br><b>GV</b> Galvanized<br><b>DB</b> Dark Bronze | ▲<br><b>50</b> 50" Span | ▲<br><b>WH</b> White<br><b>NK</b> Nickel<br><b>SV</b> Silver<br><b>BK</b> Black<br><b>MP</b> Maple<br><b>MG</b> Mahogany | ▲<br><b>NL</b> No Light<br><b>552</b> 17W LED | ▲<br><b>001</b> Fan Speed Only<br><b>002</b> Fan & Light – 3 Wire<br><b>003</b> Handheld Remote<br><b>004</b> Fan & Light – 2 Wire<br><b>005</b> Wall/Remote Combo |

## Dimensions



## Specifications

- 153mm x 18mm AC motor with reverse switch on fan body
- Stamped and spun steel construction
- 50" span, plywood blades
- Optional LED Light: 17W, 90 CRI, 3000K, 1600 lumens (dimnable) behind an opal glass diffuser; adds 3.5" to length of fan; CA Title 24, JAB-2019 compliant
- For flat ceilings only
- Designed by Ron Rezek
- ETL listed for dry and damp locations
- Weight: 16 lbs (7.3 kgs)

## Performance Data

### LOWEST SPEED

**RPM:** 70  
**CFM:** 1,471  
**Watts:** 11.13  
**CFM/W:** 132

### HIGHEST SPEED

**RPM:** 190  
**CFM:** 4,719  
**Watts:** 59.64  
**CFM/W:** 79

## Energy Guide Data

**Average Energy Use**  
38 Watts

**Average Airflow**  
3,196 CFM

**Yearly Energy Cost**  
\$11

**Average Efficiency**  
85 CFM/Watt

*Energy Guide Data represents weighted averages of low speed and high speed performance, assuming typical use (excluding light). For more information, visit [www.modernfan.com](http://www.modernfan.com).*

# Lapa Flush

Gloss White with  
White Blades  
(no light)



Galvanized with  
Silver Blades  
(no light)



Dark Bronze with  
Mahogany Blades  
and 552 LED Light



## FAN FINISHES

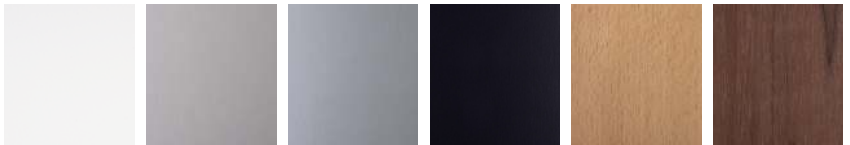
Gloss White    Bright Nickel    Galvanized    Dark Bronze



## PLYWOOD BLADES

Plywood blades are constructed of furniture grade veneers, painted or stained as shown here. Natural variations may exist in woodgrains and finishes.

White    Nickel    Silver    Black    Maple    Mahogany



## LAPA FLUSH FAN CONTROLS

Selection of a control option is made at time of order and incorporated into the fan item number (except #FC-009A and #FC-009B which are sold as accessory items).



**#FC-001  
Fan Speed Only Control**  
(no light)

For a single AC fan, providing four speeds. Not intended for a fan with light. *Note: Not compatible with remote control.*



**#FC-002  
Fan & Light Control-3 Wire**

For a single AC fan with LED light, providing four speeds and dimming function. Requires three wires from switch location to fan. *Note: Not compatible with remote control.*



**#FC-003-LED  
Handheld Remote RF Control**

Designed for independent operation a single AC fan or AC fan with LED light, providing three speeds and full range dimming (or "on/off" switching), using only one circuit (two wires). Includes RF handset, receiver, battery and comes with a wall mounting bracket for handset.



**#FC-004-LED Fan & Light  
RF Control-2 Wire**

Designed for independent operation of a single AC fan or AC fan with LED light, providing three speeds and full range dimming (or "on/off" switching), using only one circuit (two wires). Includes RF wall control (with master power switch), switch plate and receiver.



**#FC-005-LED  
Wall/Remote Combo  
RF Control-2 Wire**

Designed for independent operation of a single AC fan or AC fan with LED light, providing three speeds and full range dimming (or "on/off" switching), using only one circuit (two wires). Includes RF handset, RF wall control (with master power switch), switch plate and receiver.



**#FC-009A / #FC-009B  
Multi-fan Speed Controls  
for AC Fans**  
(no lights)

Sold as an accessory item, providing three speeds for multiple AC fans on a single switch leg.

FC-009A for 2-3 fans  
FC-009B for 3-6 fans

*Note: Not compatible with remote control. Control of fan lights must be accounted for separately with owner provided control on separate switch leg.*

## MOUNTING

The Lapa Flush installs with a flat mounting plate (included) for attachment to an appropriately rated junction box.

The Lapa Flush is intended for flat, low ceilings (approximately 8'0"). For higher ceilings and/or for sloped ceilings, please select from one of our down rod suspended models.