



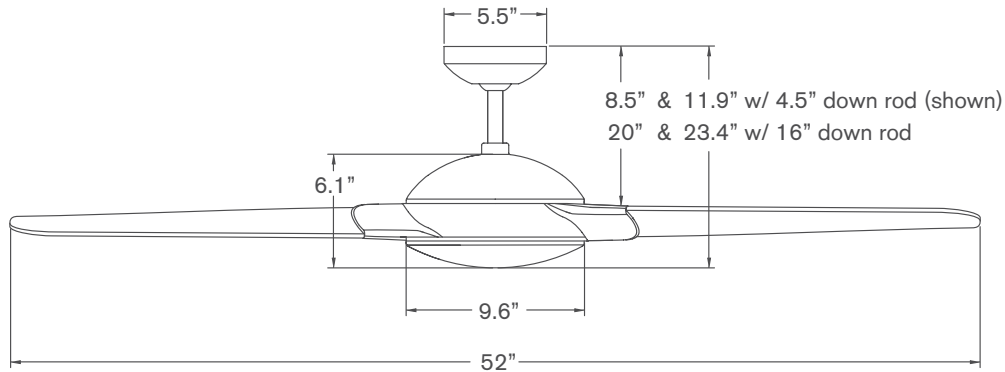
# Flow



Flow > Configure item number from attributes below.

#FLO	Finish	Blade Span	Blade Color	Light Option	Control Option
-	-	-	-	-	-
▲	<b>GW</b> Gloss White <b>MN</b> Matte Nickel	▲ <b>52</b> 52" Span	▲ <b>WH</b> White <b>NK</b> Nickel <b>BB</b> Bamboo	▲ <b>NL</b> No Light <b>372</b> 20W LED	▲ <b>001</b> Fan Speed Only <b>002</b> Fan & Light – 3 Wire <b>003</b> Handheld Remote <b>004</b> Fan & Light – 2 Wire <b>005</b> Wall/Remote Combo

## Dimensions



## Specifications

- 153mm x 18mm AC motor with reverse switch on fan body
- Die cast aluminum construction
- 52" span, formed plywood blades
- Includes 4.5" and 16" down rods (longer options also available)
- Optional LED light: 20W, 90 CRI, 3000K, 1800 lumens (dimnable) behind opal glass diffuser; adds .5" to length of fan; CA Title 24, JA8-2019 compliant
- Slope compatible up to 33°; adapter available for slopes up to 45°
- Designed by Ron Rezek
- ETL listed for dry and damp locations
- Weight: 19 lbs (8.6 kgs)

## Performance Data

### LOWEST SPEED

**RPM:** 65  
**CFM:** 1,524  
**Watts:** 10.88  
**CFM/W:** 140

### HIGHEST SPEED

**RPM:** 200  
**CFM:** 5,350  
**Watts:** 70.98  
**CFM/W:** 75

## Energy Guide Data

**Average Energy Use**  
43 Watts

**Average Airflow**  
3,572 CFM

**Yearly Energy Cost**  
\$12

**Average Efficiency**  
82 CFM/Watt

*Energy Guide Data represents weighted averages of low speed and high speed performance, assuming typical use (excluding light). For more information, visit [www.modernfan.com](http://www.modernfan.com).*

# Flow

Gloss White with White Blades (no light)



Matte Nickel with Nickel Blades and 372 LED Light

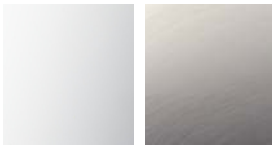


Matte Nickel with Bamboo Blades and 372 LED Light



## FAN FINISHES

Gloss White    Matte Nickel



## PLYWOOD BLADES

Plywood blades are constructed of furniture grade veneers, painted or stained as shown here. Natural variations may exist in woodgrains and finishes.

White    Nickel    Bamboo



## FLOW FAN CONTROLS

Selection of a control option is made at time of order and incorporated into the fan item number (except #FC-009A and #FC-009B which are sold as accessory items).



**#FC-001**  
**Fan Speed Only Control**  
(no light)

For a single AC fan, providing four speeds. Not intended for a fan with light. *Note: Not compatible with remote control.*



**#FC-002**  
**Fan & Light Control-3 Wire**

For a single AC fan with LED light, providing four speeds and dimming function. Requires three wires from switch location to fan. *Note: Not compatible with remote control.*



**#FC-003-LED**  
**Handheld Remote RF Control**

Designed for independent operation a single AC fan or AC fan with LED light, providing three speeds and full range dimming (or "on/off" switching), using only one circuit (two wires). Includes RF handset, receiver, battery and comes with a wall mounting bracket for handset.



**#FC-004-LED Fan & Light RF Control-2 Wire**

Designed for independent operation of a single AC fan or AC fan with LED light, providing three speeds and full range dimming (or "on/off" switching), using only one circuit (two wires). Includes RF wall control (with master power switch), switch plate and receiver.



**#FC-005-LED**  
**Wall/Remote Combo RF Control-2 Wire**

Designed for independent operation of a single AC fan or AC fan with LED light, providing three speeds and full range dimming (or "on/off" switching), using only one circuit (two wires). Includes RF handset, RF wall control (with master power switch), switch plate and receiver.



**#FC-009A / #FC-009B**  
**Multi-fan Speed Controls for AC Fans**  
(no lights)

Sold as an accessory item, providing three speeds for multiple AC fans on a single switch leg. FC-009A for 2-3 fans  
FC-009B for 3-6 fans  
*Note: Not compatible with remote control. Control of fan lights must be accounted for separately with owner provided control on separate switch leg.*

## DOWN RODS

The Flow ships standard with 4.5" and 16" down rods. Use the following part numbers to order accessory down rods.

#DRD	Finish	Length
-	-	-
▲	-	▲
<b>GW</b>	Gloss White	12 12"
<b>MN</b>	Matte Nickel	24 24"
		36 36"
		48 48"
		60 60"
		72 72"

## SLOPE ADAPTER

The Flow will accommodate ceiling slopes up to 33 degrees. The #045 slope adapter can accommodate slopes exceeding 33 degrees and up to 45 degrees.

#045	Finish
-	-
▲	-
<b>GW</b>	Gloss White
<b>MN</b>	Matte Nickel