



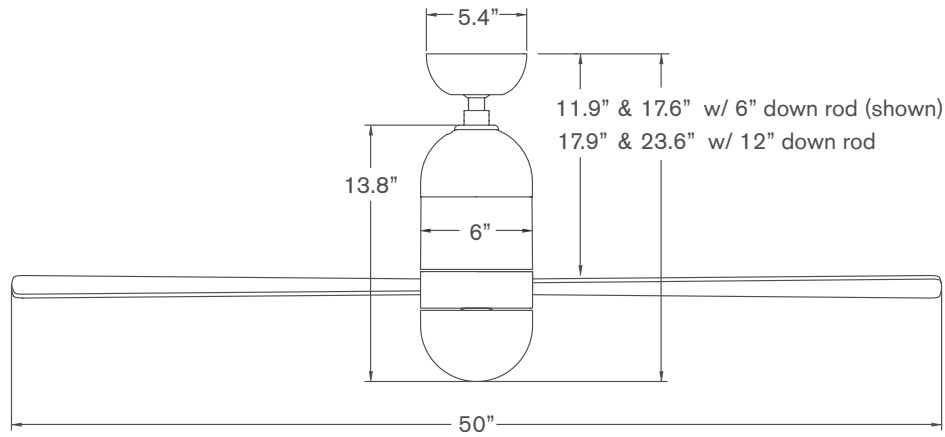
# Cirrus DC



Cirrus DC > Configure item number from attributes below.

#CIR	Finish	Blade Span	Blade Color	Light Option	Control Option
-	-	-	-	-	-
	▲ <b>GW</b> Gloss White <b>BA</b> Brushed Aluminum	▲ <b>50</b> 50" Span	▲ <b>WH</b> White <b>AL</b> Aluminum <b>MP</b> Maple	▲ <b>NL</b> No Light <b>355</b> 17W LED	▲ <b>WC</b> Wall Control <b>RC</b> Remote Control <b>CC</b> Wall/Remote Combo

## Dimensions



## Specifications

- 6-speed, reversible DC motor
- Die cast aluminum construction
- 50" span, plywood blades
- Includes 6" and 12" down rods (longer options also available)
- Optional LED light: 17W, 90 CRI, 3000K, 1530 lumens (dimnable) behind opal glass diffuser; Title 24, JA8-2019 compliant
- Slope compatible up to 33°; adapter available for slopes up to 45°
- Designed by Ron Rezek
- ETL listed for dry and damp locations
- Weight: 14.0 lbs (6.4 kgs)

## Performance Data

### LOWEST SPEED

**RPM:** 65  
**CFM:** 1,181  
**Watts:** 2.98  
**CFM/W:** 396

### HIGHEST SPEED

**RPM:** 220  
**CFM:** 5,165  
**Watts:** 28.95  
**CFM/W:** 178

## Energy Guide Data

**Average Energy Use**  
19 Watts

**Average Airflow**  
3,298 CFM

**Yearly Energy Cost**  
\$5

**Average Efficiency**  
142 CFM/Watt

*Energy Guide Data represents weighted averages of low speed and high speed performance, assuming typical use (excluding light). For more information, visit [www.modernfan.com](http://www.modernfan.com).*

# Cirrus DC

Gloss White with White Blades (no light)



Brushed Aluminum with Maple Blades (no light)



Brushed Aluminum with Aluminum Blades and 355 LED Light



## FAN FINISHES

Gloss White



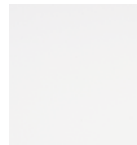
Brushed Aluminum



## PLYWOOD BLADES

Plywood blades are constructed of furniture grade veneers, painted or stained as shown here. Natural variations may exist in woodgrains and finishes.

White



Aluminum



Maple



## CIRRUS DC CONTROLS

Cirrus DC controls use RF transmission to a receiving unit included with each fan, providing six speeds, reversing and light function (on/off or dimming). Control selection is made at time of order and incorporated into fan item number. Controls utilize dedicated (unique) RF channels to avoid interference with other ceiling fans installed nearby. The wall control (if ordered) also includes a master power switch.

### Wall Control (WC)



### Remote Control (RC)



### Wall/Remote Combo (CC)



\* The Cirrus DC must use one of the above control options. Third party fan controls are not compatible with this product. The Remote Control (RC) can be used in combination with a standard power switch (on-off) in wall box.

\*\* Wall control unit is designed for operation of a single fan/fan light only. For multiple units on a single switch leg, the remote control option can be used if the fans are within suitable range. Contact Modern Fan customer support with questions or for additional guidance.

\*\*\* To replace lost or damaged control components or to add secondary control to existing control sets (e.g. to add a handset to an existing wall control system), contact Modern Fan Co. customer support for ordering guidance.

## DOWN RODS

The Cirrus DC ships standard with 6" and 12" down rods. Use the following part numbers to order accessory down rods.

#DRD	Finish	Length
-	-	-
▲		▲
GW	Gloss White	12 12"
BA	Brushed Aluminum	24 24"
		36 36"
		48 48"
		60 60"
		72 72"

## SLOPE ADAPTER

The Cirrus DC will accommodate ceiling slopes up to 33 degrees. The #045 slope adapter can accommodate slopes exceeding 33 degrees and up to 45 degrees.

#045	Finish
-	-
▲	
GW	Gloss White
BA	Brushed Aluminum