



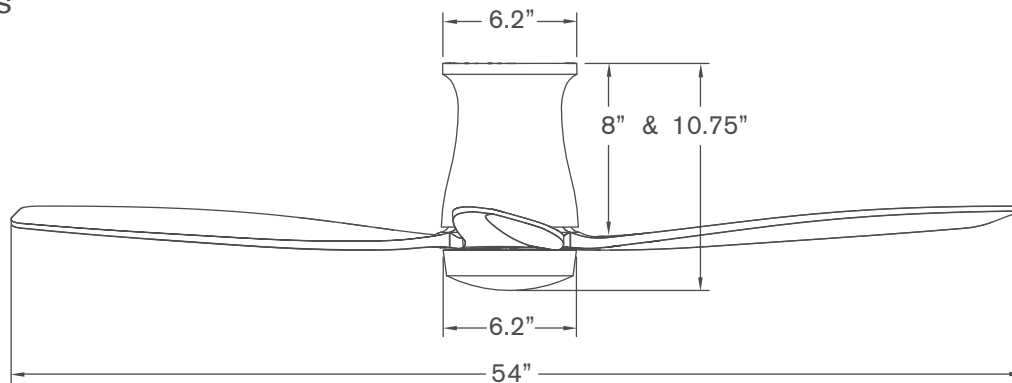
# Arbor Flush DC



Arbor Flush DC > Configure item number from attributes below.

Finish	Blade Span	Blade Color	Light Option	Control Option
#ARB-FM -	-	-	-	-
▲ <b>GW</b> Gloss White <b>GT</b> Graphite <b>DB</b> Dark Bronze	▲ <b>54</b> 54" Span	▲ <b>EB</b> Ebony <b>GY</b> Graywash <b>MP</b> Maple <b>MG</b> Mahogany <b>WW</b> Whitewash	▲ <b>NL</b> No Light <b>870</b> 17W LED	▲ <b>WC</b> Wall Control <b>RC</b> Remote Control <b>CC</b> Wall/Remote Combo

## Dimensions



## Specifications

- 6-speed, reversible DC motor
- Die cast aluminum construction
- 54" span, solid wood blades
- Optional LED light: 17W, 90 CRI, 3000K, 1530 lumens (dimmable) behind opal glass diffuser; adds 0.75" to length of fan; CA Title 24, JA8-2019 compliant
- For flat ceilings only
- Designed by Dave Ellis
- ETL listed for dry and damp locations
- Weight: 13.0 lbs (5.9 kgs)

## Performance Data

### LOWEST SPEED

**RPM:** 55  
**CFM:** 554  
**Watts:** 2.55  
**CFM/W:** 217

### HIGHEST SPEED

**RPM:** 205  
**CFM:** 4,739  
**Watts:** 30.9  
**CFM/W:** 153

## Energy Guide Data

**Average Energy Use**  
20 Watts

**Average Airflow**  
2,759 CFM

**Yearly Energy Cost**  
\$5

**Average Efficiency**  
139 CFM/Watt

*Energy Guide Data represents weighted averages of low speed and high speed performance, assuming typical use (excluding light). For more information, visit [www.modernfan.com](http://www.modernfan.com).*

# Arbor Flush DC

Gloss White with Whitewash Blades (no light)



Graphite with Mahogany Blades (no light)



Dark Bronze with Ebony Blades and 870 LED Light



## FAN FINISHES

Gloss White



Graphite



Dark Bronze



## SOLID WOOD BLADES

Solid wood blades are CNC milled from a light-weight and stable, plantation grown Paulownia, then hand-finished as shown here.

Ebony



Graywash



Maple



Mahogany



Whitewash



## ARBOR FLUSH DC CONTROLS

Arbor Flush DC controls use RF transmission to a receiving unit included with each fan, providing six speeds, reversing and light function (on/off or dimming). Control selection is made at time of order and incorporated into fan item number. Controls utilize dedicated (unique) RF channels to avoid interference with other ceiling fans installed nearby. The wall control (if ordered) also includes a master power switch.

**Wall Control (WC)**



**Remote Control (RC)**



**Wall/Remote Combo (CC)**



\* The Arbor Flush DC must use one of the above control options. Third party fan controls are not compatible with this product. The Remote Control (RC) can be used in combination with a standard power switch (on-off) in wall box.

\*\* Wall control unit is designed for operation of a single fan/fan light only. For multiple units on a single switch leg, the remote control option can be used if the fans are within suitable range. Contact Modern Fan customer support with questions or for additional guidance.

\*\*\* To replace lost or damaged control components or to add secondary control to existing control sets (e.g. to add a handset to an existing wall control system), contact Modern Fan Co. customer support for ordering guidance.

## MOUNTING

The Arbor Flush DC installs with a flat mounting plate (included) for attachment to an appropriately rated junction box.

The Arbor Flush DC is intended for flat, low ceilings (approximately 8'0").

For higher ceilings and/or for sloped ceilings, please select from one of our down rod suspended models.