

INSTALLATION INSTRUCTIONS

Item#4566-098 (New. 12/11/2017)

READ AND SAVE THESE INSTRUCTIONS

WARNING! SHUT POWER OFF AT FUSE OR CIRCUIT BREAKER.

AVERTISSEMENT! COUPER LE COURANT AU NIVEAU DES FUSIBLES OU DU DISJONCTEUR.

MOUNTING THE FIXTURE (Fig.1)

1. Shut off the power at the fuse box or circuit breaker. If necessary, remove the old fixture, including the mounting hardware.
2. Carefully remove the fixture from the carton and check that all parts are included as shown in the illustration.
3. Remove the screw (C) and mounting plate (A), then remove the screw (H) and square tube (J).
4. Position the mounting plate (A) on the wall, and mark location of the two mounting holes. Drill the holes on the wall, and then insert the plastic anchors (E).
5. Attach the mounting plate (A) to the junction box using mounting screws (B) (Size: #8-32N*L0.5"). The side of the mounting plate marked "GND" must face out.
6. Secure the mounting plate (A) by inserting the wood screws (F) through the holes on the mounting plate into the plastic anchors (E).
7. Place the candle cover (L) over the socket (K) of the fixture body.

FINISHING THE INSTALLATION (Fig1&Fig.2)

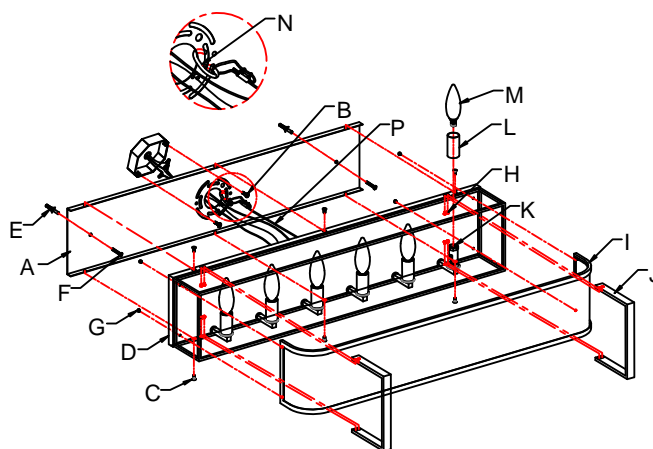
8. Install the light bulb(s) (M) (not included) in accordance with the fixture's specifications. **(DO NOT EXCEED THE MAXIMUM WATTAGE RATING!) (NE PAS DEPASSER LA PUISSANCE NOMINALE MAXIMALE!).**
9. Through screw (G) into fixture body (D) and secure with glass panel (I). Then through screw (H) into fixture body and secure with square tube (J).
10. The support cable is provided to support the weight of the fixture while wiring. Align the fixture to mounting plate (A) and attach hook (N) on the end of support cable (P) into a slot located on mounting plate (A). Carefully allow the support cable (P) to support the weight of the fixture while wiring. (Fig 1)
11. At this point, connect the electrical wires as shown in Fig. 2, making sure that all wire connectors are secured. If your outlet box has a ground wire (green or bare copper), connect the fixture's ground wire to it. Otherwise, connect the fixture's ground wire directly to the mounting plate using the green screw provided. After wires are connected, tuck them carefully inside the junction box.
12. Place the candle cover (G) over the socket of the fixture body (D).

Your installation is now complete. Return power and test the fixture.

Note: Illustration (Fig.1) on this manual is for installation purposes only. It may or may not be identical to the fixture purchased.

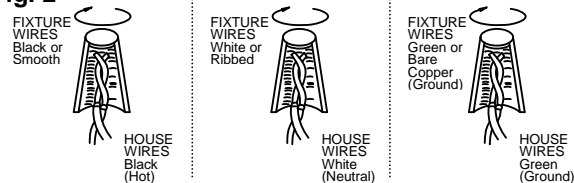
Fig. 1

Set#A-021-772-157
-Mounting Plate
-Ground Screw
-Mounting Screw*2



Candle Cover# CCV24049P-84

Fig. 2



MIN 90°C SUPPLY CONDUCTORS