

INSTALLATION INSTRUCTIONS

Item#2765-733 (New. 2022/04/29)

READ AND SAVE THESE INSTRUCTIONS

WARNING! SHUT POWER OFF AT FUSE OR CIRCUIT BREAKER.

AVERTISSEMENT! COUPER LE COURANT AU NIVEAU DES FUSIBLES OU DU DISJONCTEUR.

PREPARATION (Fig.1)

1. Shut off power at the fuse box or circuit breaker box and remove the old fixture including the mounting hardware.
2. Carefully unpack your new fixture and lay out all the parts in a clean area. Take care not to misplace any small parts necessary for installation.
3. Secure shorter bar (M) to the fixture body using screws (O). Align the decorative ring (L) with the shorter bar (M) and secure with the longer bar (K).
4. Slide metal ring (J) over the top of the longer bar (K) and secure with nut (I).
5. Secure metal tube (H) onto all thread (R) on the fixture body.
6. Determine the desired hanging height and thread rods (F1, F2 and F3) to all thread (G) on metal tube (H). Attach canopy (D) by screwing onto rod (F1). Carefully pass the wires through each rod during assembly. Note: Remove the all thread, if installing with one 6" rod only.
7. Attach mounting plate (A) to the junction box (not included) with mounting screws (B) (Size: #8-32N*L0.5"). The side of the mounting plate (A) with "GND" marked on it and two convex points must face out.
8. The support cable is provided to support the weight of the fixture while wiring. Align the fixture to mounting plate (A) and attach hook (T) on the end of support cable (C) into a slot located on mounting plate (A). Carefully allow support cable (C) to support the weight of the fixture while wiring (Fig.1).

CONNECTING THE WIRES (Fig. 2)

9. Connect the electrical wires as shown in fig 2, making sure that all wire connectors are secured. If your junction box has a ground wire (green or bare copper), connect the fixture's ground wire to it. Otherwise, connect the fixture's ground wire directly to the mounting plate (A) using the green screw provided.
10. Tuck wire connectors neatly into the junction box.

COMPLETING THE INSTALLATION (Fig. 1)

11. Place canopy (D) over mounting plate (A) and secure with screws (E).
12. Install (4) four medium base bulbs (Q) up to 60 watts each or CFL or LED equivalent (not included) in accordance with the fixture specification. **—DO NOT EXCEED THE MAXIMUM WATTAGE RATING! (NE PAS DEPASSER LA PUISSANCE NOMINALE MAXIMALE!)**
13. Place glass shades (P) over socket cups (N).

Your installation is now complete. Return power to the junction box and test the fixture.

Note: Illustration (Fig. 1) on this manual is for installation purposes only. It may or may not be identical to the fixture purchased.

Fig. 1

Set#A-021-118DH
-Mounting plate
-Ground screw
-Mounting screw*2

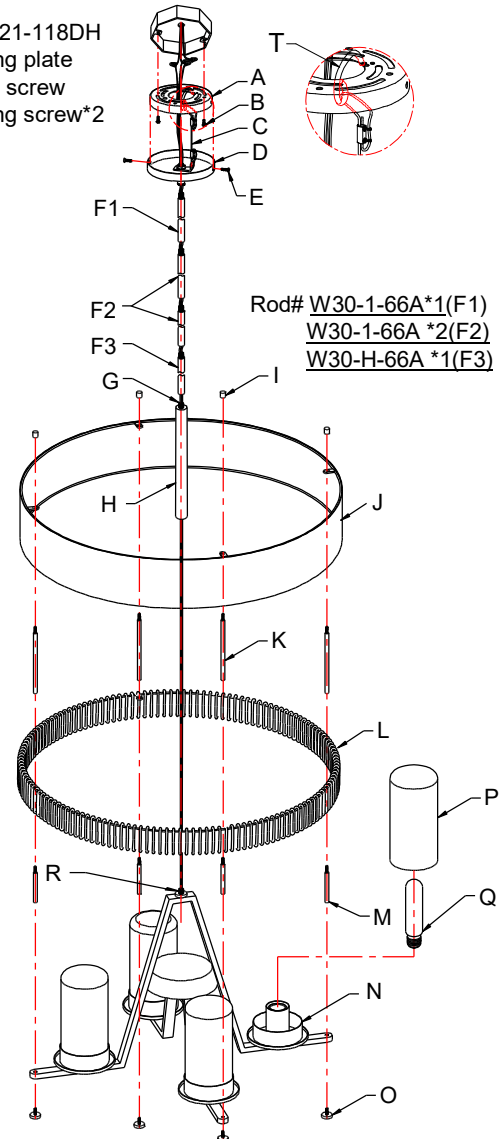


Fig. 2

