

INSTALLATION INSTRUCTION FOR FIXTURE#3286-589

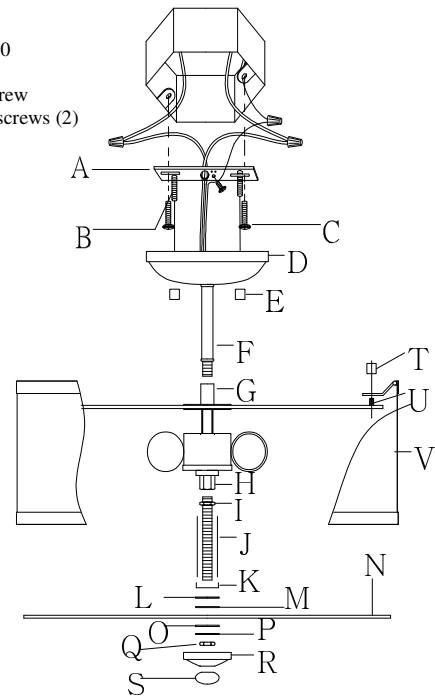
WARNING! SHUT POWER OFF AT FUSE OR CIRCUIT BREAKER.
AVERTISSEMENT! COUPER LE COURANT AU NIVEAU DES FUSIBLES OU DU DISJONCTEUR.

ASSEMBLY THE FIXTURE (FIG. 1)

1. Shut off the power at the fuse box or circuit breaker. If necessary, remove the existing fixture and its mounting hardware from the ceiling.
2. Carefully unpack your new fixture and lay out all the parts in a clear area. Take care not to lose any small parts necessary for installation.
3. Thread the nipple (F) into the coupling (G).
4. Assemble the shade (V) onto the fixture body by protruding the screw (U) onto the bracket through the mounting holes on the shade (V) and secure with nut (T).
5. Thread the nipple (I) into the coupling (H), and secure with hex nut.
6. Put the tube (J), tube cover (K), steel washer (L), rubber washer (M), glass diffuser (N), rubber washer (O), steel washer (P) over the nipple (I) in order, then secure with hex nut (Q).
7. Put the cap (R) over the nipple (I) and secure with finial (S).
8. Install the bulbs in accordance with the fixture's specifications. **(DO NOT EXCEED THE MAXIMUM WATTAGE RATING! (NE PAS DEPASSER LA PUISSANCE NOMINALE MAXIMALE!)).**
9. Attach the cross bar (A) to the outlet box using the outlet box screws (C). The side of the mounting bar marked "GND" must face out.
10. Follow the wiring instructions carefully (See Fig.2).
11. Attach the fixture main body onto outlet box by protruding mounting screws (B) through mounting holes on the canopy (D) and secure with ball nut (E).

Fig.1

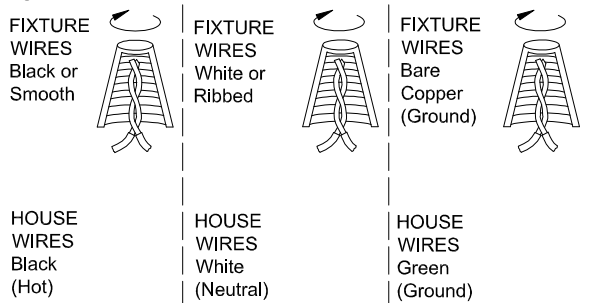
Set A#A-010
 -Crossbar
 -Ground Screw
 -Mounting screws (2)



CONNECTING THE WIRES (FIG. 2)

12. Connect the electrical wires as follows. Connect the black wire from the fixture to the black (HOT) house wire. Connect the white wire from the fixture to the white (Neutral) house wire. Make sure all the wire nuts were secured. You may wrap the connections with electrical tape. If your outlet box has a ground wire (Green or Bare Copper) connect fixture's ground wire to it. Other wise attach the bare copper fixture wire to the green ground screw on the mounting bar.
13. Tuck the wire connections neatly into the ceiling junction box. Your installation is now complete. Turn on the power supply of the junction box to test the fixture.

Fig .2



american
lighting
association