

# INSTALLATION INSTRUCTIONS

Item#3332-84 (New. 3/31/2021)

Convertible lamps for semi flush mount

**READ AND SAVE THESE INSTRUCTIONS**

**WARNING! SHUT POWER OFF AT FUSE OR CIRCUIT BREAKER.**

**AVERTISSEMENT! COUPER LE COURANT AU NIVEAU DES FUSIBLES OU DU DISJONCTEUR.**

## HANGING THE FIXTURE (Fig. 1)

1. Shut off power at the fuse box or circuit breaker box and remove the old fixture including the mounting hardware.
2. Carefully unpack your new fixture and lay out all the parts in a clear area. Take care not to misplace any small parts necessary for installation.
3. Thread screws (A) into the pre-drilled holes on the circular strap (B) spaced the same distance apart as the holes in canopy (D) and secure with hex nuts (L).
4. Attach circular strap (B) to the outlet box using mounting screws (C) (Size: #8-32N\*L0.5"). The side of circular strap (B) marked "GND" must face out.
5. Thread long all thread (G) to bottom of the fixture body. Slide cap (H) over long all thread (G) and secure with finial (I).

## CONNECTING THE WIRES (Fig. 2)

6. Connect the fixture wires to the outlet box wires as shown in Fig. 2, making sure that all wire connectors are secured. If your outlet has a ground wire (green or bare copper), connect the fixture's ground wire to it. Otherwise, connect the fixture's ground wire directly to the circular strap (B) using the green screw provided. After wires connected, tuck them carefully into the outlet box.

## COMPLETING THE INSTALLATION (Fig. 1)

7. Slide canopy (D) over screws (A) and secure with finials (E).
8. Place candle covers (K) over sockets (F).
9. Install (4) four candelabra base bulbs (J) up to 60 watts each or CFL or LED equivalent (not included) in accordance with the fixture specification—**DO NOT EXCEED THE MAXIMUM WATTAGE RATING! (NE PAS DEPASSER LA PUISSANCE NOMINALE MAXIMALE!)**

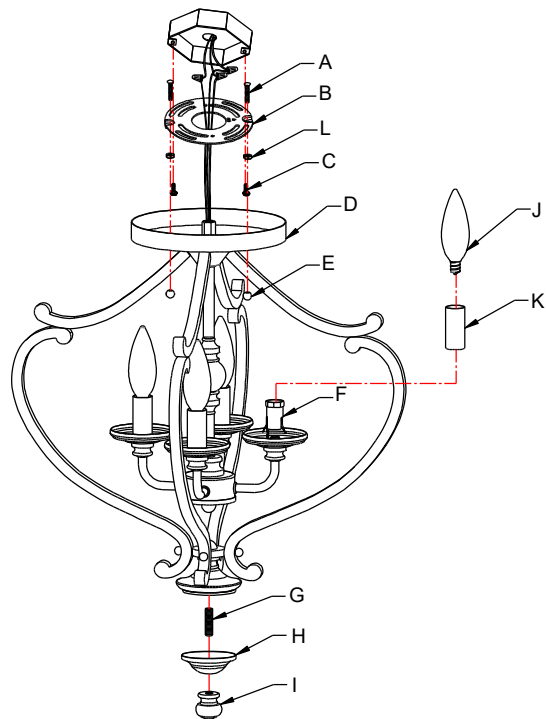
Your installation is now complete. Return power to the outlet box and test the fixture.

**Note: Illustration (Fig.1) on this manual is for installation purposes only. It may or may not be identical to the fixture purchased.**

**Fig. 1**

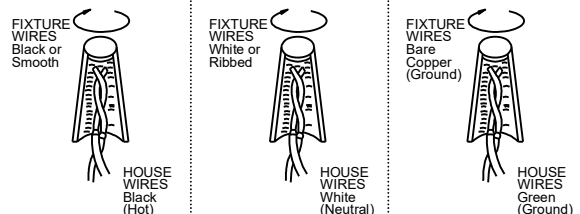
Set# A-022

- Circular strap
- Ground screw
- Mounting screw\*2



Candle Cover#CCV21048P-84

**Fig. 2**



# INSTALLATION INSTRUCTIONS

Item#3332-84 (New. 3/31/2021)

Convertible lamps for chandelier

**READ AND SAVE THESE INSTRUCTIONS**

**WARNING! SHUT POWER OFF AT FUSE OR CIRCUIT BREAKER.**

**AVERTISSEMENT! COUPER LE COURANT AU NIVEAU DES FUSIBLES OU DU DISJONCTEUR.**

## ASSEMBLING THE FIXTURE (Fig. 3 & Fig. 5)

1. Shut off the power at the fuse box or circuit breaker. If necessary, remove old fixture, including mounting hardware.
2. Carefully remove the fixture from the carton and check that all parts are included as shown in the illustration.
3. Loosen hex nut (R) using wrench (P) (not included). Carefully remove washer (Q) and canopy (O).
4. Attach fixture loop (N) to all thread (M).
5. Thread long all thread (G) to bottom of the fixture body. Slide cap (H) over long all thread (G) and secure with finial (I)

## HANGING THE FIXTURE (Fig. 4)

6. Thread all thread into ceiling loop until snug.
7. Thread the other end of all thread into the crossbar. Note: The length of all thread into the crossbar may be adjusted if necessary.
8. Secure all thread to crossbar using lock washer and hex nut.
9. Take this crossbar assembly and mount it to ceiling outlet box with mounting screws (Size: #8-32N\*L0.5"). The side of crossbar marked with "GND" must face out.
10. Determine the desired hanging height and use a pair of proper chain pliers to remove and discard the excess chain.
11. Open one link at the end of chain and attach it to fixture loop. Close the link. Slip lock collar and canopy over chain and allow them to rest on the fixture body. Open the link at the other end of the chain and attach it to ceiling loop. Close the link.
12. Carefully lace the fixture's wires through the chain. Feed the fixture wires through the ceiling loop and all thread assembly.

## CONNECTING THE WIRE (Fig. 2)

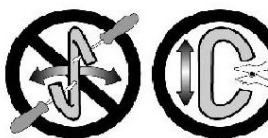
13. Connect the electrical wire as shown in fig.2, making sure that all wire connectors are secured. If your outlet has a ground wire (green or bare copper), connect the fixtures ground wire to it. Otherwise, connect the fixture ground wire directly to the crossbar using the green screw provided.
14. Tuck these wire connections neatly into the outlet box. Slide canopy over the ceiling loop and secure with lock collar.

## FINISHING THE FIXTURE (Fig.3)

15. Slide candle covers (K) over sockets (F).
16. Install (4) four candelabra base bulbs (J) up to 60 watts each or CFL or LED equivalent (not included) in accordance with the fixture specification — **DO NOT EXCEED THE MAXIMUM WATTAGE RATING! (NE PAS DEPASSER LA PUISSANCE NOMINALE MAXIMALE!)**.

Your installation is now complete. Return power to the junction box and test the fixture.

**Note: Illustration (Fig. 1) on this manual is for installation purposes only. It may or may not be identical to the fixture purchased.**



Notice: It is important to use proper chain pliers (not included)

To OPEN and CLOSE the chain included with this fixture. Do not open them with other tools that may twist or stress the chain links. It is important to use proper chain pliers like the ones shown in the diagram.

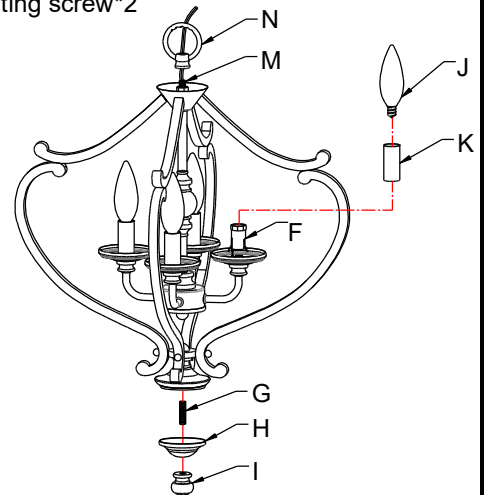
Fig. 3

Set# A-010

-Crossbar

-Ground screw

-Mounting screw\*2



Candle Cover#CCV21048P-84

Fig. 4

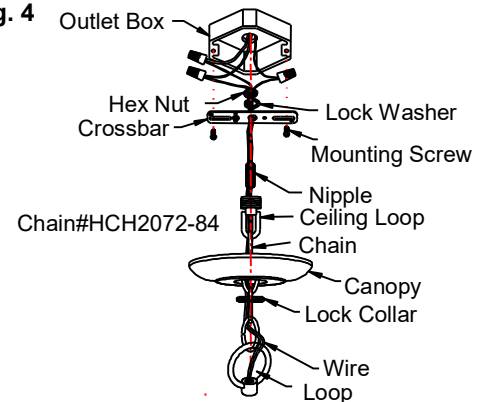


Fig. 5

