

WARNING! SHUT POWER OFF AT FUSE OR CIRCUIT BREAKER.
AVERTISSEMENT! COUPER LE COURANT AU NIVEAU DES FUSIBLES OU DU DISJONCTEUR.

ASSEMBLING THE FIXTURE (FIG. 1)

1. Shut of power at the fuse box or circuit breaker box. If necessary, remove the old fixture including the mounting hardware.
2. Carefully unpack your new fixture and lay out all the parts in a clean area. Take care not to misplace any small parts necessary for installation.
3. Assemble leather straps (H) onto the upper and lower fixture and secure with the ball nuts (I) tightly.
4. Install (6) six candelabra base bulbs (L) up to 60 watts each or CFL or LED equivalent (not included) in accordance with the fixture specification—**DO NOT EXCEED THE MAXIMUM WATTAGE RATING! (NE PAS DEPASSER LA PUISSANCE NOMINALE MAXIMALE!)**.

MOUNTING THE FIXTURE (FIG.1&FIG.2)

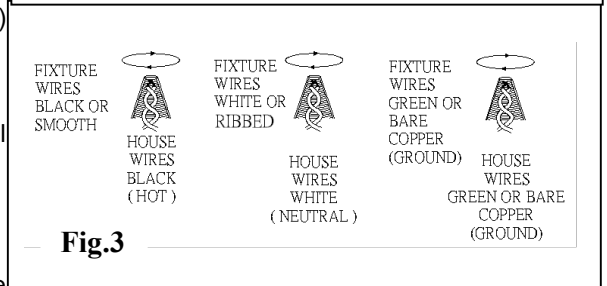
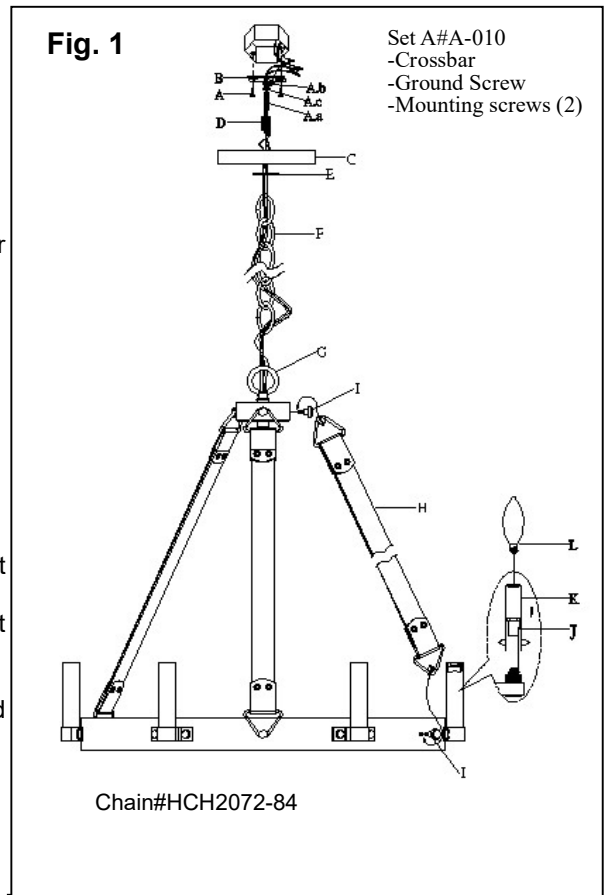
1. Thread the all thread (A.a) into the crossbar (B), Place lock washer (A.b) and hex nut (A.c) over the all thread (A.a), then thread hex nut (A.c) until snug.
2. Thread the ceiling loop (D) onto the all thread (A.a) until snug.
3. Take this crossbar assembly and mount to the junction box using junction box screws (A). The side of crossbar (B) marked “GND” must face out.
4. Use proper chain pliers to open one end link of the chain and connect to the fixture loop (G). Close the link.
5. By measuring, determine the correct number of links needed for the desired hanging height. Using the proper chain pliers, disconnect and discard the remaining chain.
6. Carefully lace the fixture wires through the chain (F).
7. Slip the lock collar (E) and canopy (C) over the chain (F). Allowing them to rest onto the fixture loop (G).
8. Open the other end link of the chain (F) and connect to ceiling loop (D). Then close the link.
9. Feed the fixture wires through the ceiling loop (D) and all thread (A.a) and pull tight.

CONNECTING THE WIRES (FIG. 3)

1. Connect the electrical wires as shown in figure 3, making sure that all wire connectors are secured. If your junction box has a ground wire (green or bare copper), connect the fixture’s ground wire to it. Otherwise, connect the fixture’s ground wire directly to the crossbar (B) using the green screw provided.
2. Tuck the wire connectors neatly into the junction box and then raise the canopy to the ceiling.
3. Tighten with lock collar (E) onto the ceiling loop (D) to secure the canopy (C).

Your installation is now complete. Return power to the junction box and test the fixture.

Note: Illustration (Fig.1) on this manual is for installation purposes only. It may or may not be identical to the fixture purchased.



Notice: It is important to use proper chain pliers (not included) to OPEN and CLOSE the chain included with this fixture. Do not open them with other tools that may twist or stress the chain links. It is important to use proper chain pliers like the ones shown in the diagram.

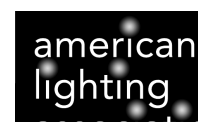
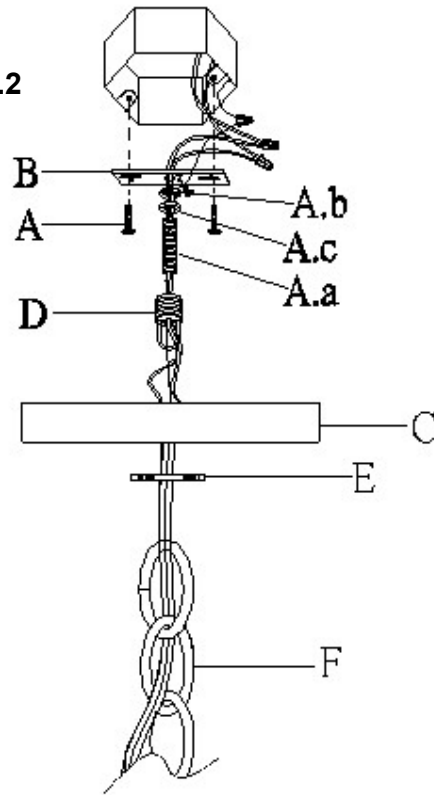
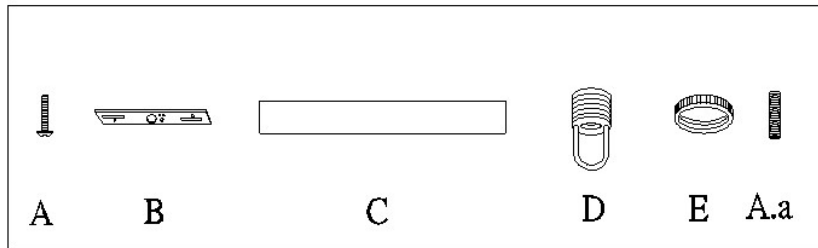


Fig.2



a. Hardware Bag:

- A. Screw*2
- B. Crossbar*1
- C. Ceiling Canopy*1
- D. Canopy Chain Loop*1
- E. Canopy Lock Ring*1
- A.a. Nipple*1



b. Hardware Bag:

- F. Chain*1
- H. Leather Strap with Hook*3
- I. Ball Nut*6
- K. Tube*6

