

INSTALLATION INSTRUCTIONS

Item# 4553-588

READ AND SAVE THESE INSTRUCTIONS

WARNING! SHUT POWER OFF AT FUSE OR CIRCUIT BREAKER.

AVERTISSEMENT! COUPER LE COURANT AU NIVEAU DES FUSIBLES OU DU DISJONCTEUR.

PREPARATION (Fig. 1 and Fig. 2)

- Carefully remove the fixture from the carton and check that all the parts are included as shown in the illustration.
- Shut off the power at the fuse box or circuit breaker. If necessary, remove the old fixture including the mounting hardware.
- Adjust the steel cable (J) to keep fixture leveled. **Note: Press spring coupling (I) by hand and adjust the steel cable (J) to desired length.**

MOUNTING THE PENDANT (Fig. 1)

- Thread the mounting screws (A) (Size: #8-32N*L1.5") to the pre-drilled holes in the circular strap (B) spaced the same distance apart as the holes in the canopy (D2), tighten the mounting screws (A) with small hex nut (E).
- Attached the circular strap assembly to the ceiling outlet box with the outlet box screws (C) (Size: #8-32N*L0.5"). The side of the circular strap marked "GND" must face out.
- Thread the nipple (M) into the hicky (not shown) inside the canopy (D1), and place the splice box cover (N) over the nipple (M) and fasten with the column nut (P) until tight.
- By measuring, determine the desired hanging height and thread rods (F1, F2 and F3) to the nipple (M). Then attach to loop (Q1) by screwing in rod (F1).
- Attach the quick link (R) connect to the fixture loop (Q1) and ceiling loop (Q2), carefully feed the wire over the fixture loop (Q1), quick link (R) and ceiling loop (Q2), and pull the wires tight.

CONNECTING THE WIRES (Fig. 3)

- At this point, connect the electrical wires as shown in Fig. 3, making sure all wire connectors are secured. If your outlet box has a ground wire (green or bare copper), connect the fixture's ground wire to it. Otherwise, connect the fixture's ground wire directly to the circular strap using the green screw provided.
- Tuck the wire connections neatly into the ceiling outlet box, raise canopy (D2) assembly to the ceiling.

COMPLETING THE INSTALLATION (Fig. 1)

- Align the canopy (D2) to the mounting screw (A) and secure with knurled knobs (S).
- Place the glass shade (G) over socket cup (H). Using screws (K) secure glass shades to socket cap above socket cup (H).
- Install light bulbs (L) (supplied) in accordance with the fixture's specification. **(DO NOT EXCEED THE MAXIMUM WATTAGE RATING) (NE PAS DEPASSER LA PUISSANCE NIMINALE MAXIMALE!).**

Your installation is not completed. Return power to the outlet box and test the fixture.

Note: Illustration (Fig. 1 and Fig. 2) on this manual is for installation purchase only. It may or may not be identical to the fixture purchased.

a. Hardware Bag:

- A. Mounting Screw*2
- B. Circular Strap*1
- C. Outlet Box Screw*2
- D2. Canopy*1
- P. Column Nut*1
- M. Nipple*1
- N. Splice box cover*1
- Q1/Q2. Loop*2
- R. Quick Link*1
- S. Kunrled Knob*4

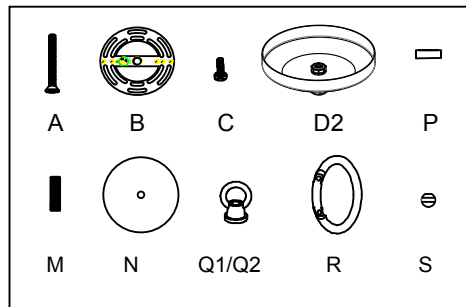
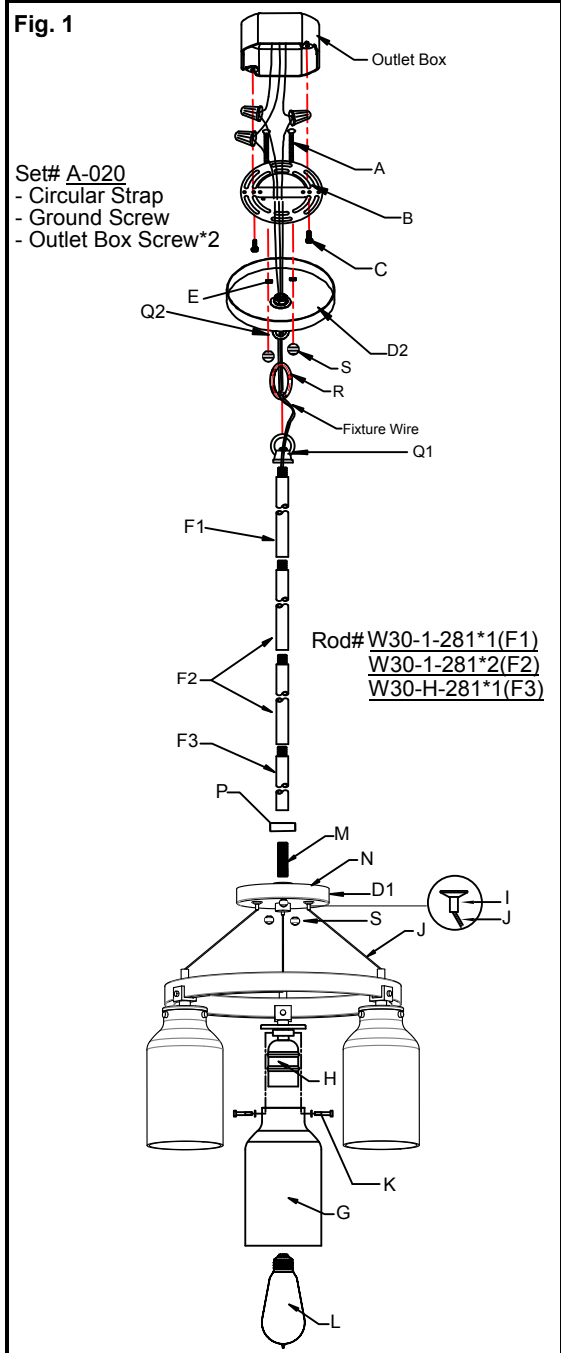
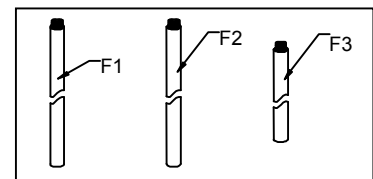


Fig. 1



b. Hardware Bag:

- F1. ROD 12**1
- F2. ROD 12**2
- F3. ROD 6**1



PREPARATION (Fig. 1 and Fig. 2)

1. Carefully remove the fixture from the carton and check that all parts are included as shown in the illustration.
2. Shut off the power at the fuse box or circuit breaker. If necessary, remove the old fixture including the mounting hardware.
3. Adjust the steel cable (J) to keep fixture leveled. **Note: Press spring coupling (I) by hand and adjust the steel cable (J) to the desired length.**

MOUNTING THE SEMI FLUSH (Fig. 2)

4. Thread the mounting screws (A) (Size: #8-32N*L1.5") to the pre-drilled holes in the circular strap (B) spaced the same distance apart as the holes in the canopy (D1), tighten the mounting screws (A) with small hex nuts (E).
5. Attach the circular strap assembly to the ceiling outlet box with outlet box screws (C) (Size: #8-32N*L0.5"). The side of the circular strap marked "GND" must face out.

CONNECTING THE WIRES (Fig. 3)

6. At this point, carefully cut the fixture wire, connect the electrical wires as shown in figure 3, making sure that all wire connectors are secured. If your outlet box has a ground wire (green or bare copper), connect the fixture's ground wire to it. Otherwise, connect the fixture's ground wire directly to the circular strap using the green screw provided.
7. Tuck the wire connections neatly into the ceiling Outlet Box and raise the canopy (D1) all the way to the ceiling.

COMPLETING THE INSTALLATION (Fig. 2)

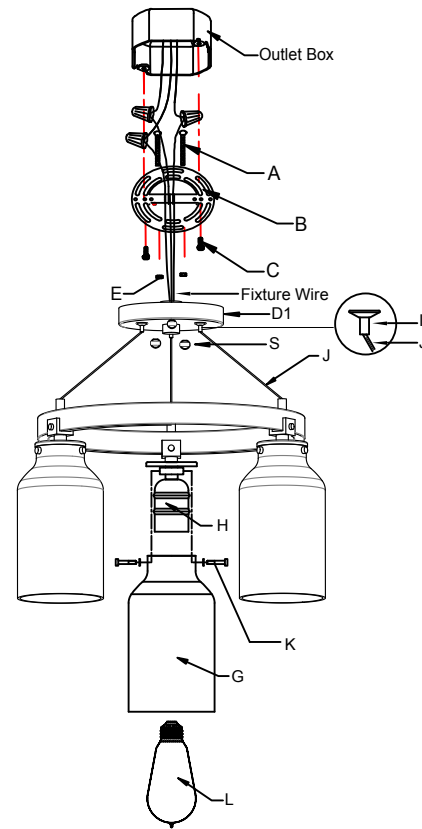
8. Align the canopy (D1) to the mounting screws (A) and secure with knurled knobs (S).
9. Place the glass shade (G) over socket cup (H). Using screws (K) secure glass shades to socket cap above socket cup (H).
10. Install the light bulb(s) (L) (supplied) in accordance with the fixture's specifications. **(DO NOT EXCEED THE MAXIMUM WATTAGE RATING!) (NE PAS DEPASSER LA PUISSANCE NOMINALE MAXIMALE!).**

Your installation is now complete. Return power to the outlet box and test the fixture.

Note: Illustration (Fig. 1 and Fig. 2) on this manual is for installation purposes only. It may or may not be identical to the fixture purchased.

*** Cutting electrical wire is permanent. Once fixtures electrical wire is cut for semi-flush, it cannot be changed back to a pendant.

Fig. 2



Set# A-020
-Circular Strap
-Ground screw
-Outlet Box Screw*2

Fig. 3

