

INSTALLATION INSTRUCTIONS

Item#4443-66A (Convertible Lamps for Pendant) (New. 10/07/2021)

READ AND SAVE THESE INSTRUCTIONS

WARNING! SHUT POWER OFF AT FUSE OR CIRCUIT BREAKER.
AVERTISSEMENT! COUPER LE COURANT AU NIVEAU DES FUSIBLES OU DU DISJONCTEUR.

ASSEMBLING THE FIXTURE (Fig. 1)

1. Shut off the power at the fuse box or circuit breaker. If necessary, remove old fixture, including mounting hardware.
2. Carefully remove fixture from carton and check that all parts are included as shown in the illustration.
3. Attach fixture loop (A) by threading it onto all thread (H).
4. Secure rod (R) onto all thread (S).
5. Place candle covers (C) over socket (D).
6. Place cloth shade (G) over tube (C).

MOUNTING THE FIXTURE (Fig. 2)

7. Thread all thread into ceiling loop until snug.
8. Thread other end of all thread into crossbar until snug. Note: The length of all thread into crossbar may be adjusted if necessary.
9. Place lock washer and hex nut over end of all thread protruding through crossbar. Then thread hex nut onto all thread until snug.
10. Take crossbar assembly and mount it to ceiling outlet box using the mounting screws (Size: #8-32N*L0.5"). The side of crossbar marked "GND" must face out.
11. Use proper chain pliers to open one end link of chain and connect to fixture loop. Then close link.
12. By measuring, determine the correct number of links needed for desired hanging height. Using chain pliers, disconnect and discard excess chain.
13. Carefully lace fixture wires through chain.
14. Slip lock collar and canopy over chain and allow them to rest on fixture body.
15. Open other end of chain and attach it to ceiling loop. Then close chain.
16. Carefully feed fixture wires through ceiling loop and all thread and pull until tight.

CONNECTING THE WIRES (Fig. 3)

17. Connect the electrical wires as shown in Fig. 3 making sure that all wire connectors are secured. If your outlet box has a ground wire (green or bare copper), connect the fixture's ground wire to it. Otherwise, connect the fixture's ground wire directly to the crossbar using the green screw provided.
18. Tuck wire connections neatly into ceiling outlet box and raise canopy to ceiling. Thread lock collar to ceiling loop to secure canopy against ceiling.

FINISHING THE INSTALLATION (Fig. 1)

19. Place candle covers (C) over socket (D) of fixture body.
20. Hang crystal drops (B) & (F) to proper position of fixture body.
21. Install (4) four candelabra base bulbs up to 60 watts each or CFL or LED equivalent (not included) in accordance with the fixture specification — **DO NOT EXCEED THE MAXIMUM WATTAGE RATING! (NE PAS DEPASSER LA PUISSANCE NOMINALE MAXIMALE!)**.

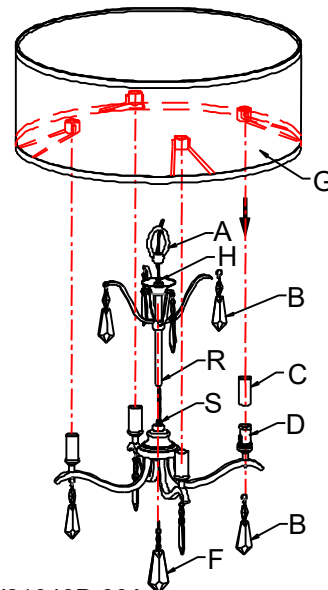
Your installation is now complete. Return power to the outlet box and test the fixture.

Note: Illustration (Fig. 1) on this manual is for installation purposes only. It may or may not be identical to the fixture purchased.

Fig. 1

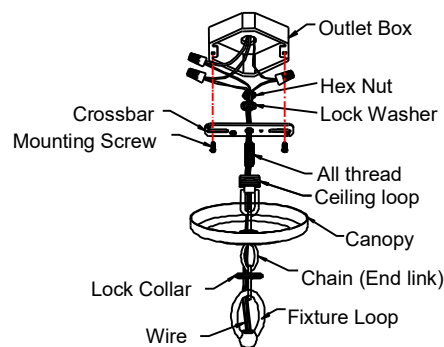
Set# A-010

- Crossbar
- Ground screw
- Mounting Screw *2



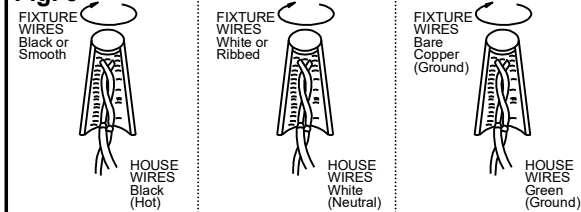
Candle Cover# CCV21048P-66A

Fig. 2



Chain # HCH2072-66A

Fig. 3



Notice: It is important to use proper chain pliers (not included) to OPEN and CLOSE the chain included with this fixture. Do not open them with other tools that may twist or stress the chain links. It is important to use proper chain pliers like the ones shown in the diagram.



LA-3496E

INSTALLATION INSTRUCTIONS

Item#4443-66A (Convertible Lamps for Semi Flush Mount) (New. 10/07/2021)

READ AND SAVE THESE INSTRUCTIONS

WARNING! SHUT POWER OFF AT FUSE OR CIRCUIT BREAKER.
AVERTISSEMENT! COUPER LE COURANT AU NIVEAU DES FUSIBLES OU DU DISJONCTEUR.

ASSEMBLING THE FIXTURE (Fig. 4)

1. Remove loop (A) from wire and cut down length of wire if wire is too long. (Fig.1)
2. Secure rod (R) onto all thread (S).
3. Place candle covers (C) over socket (D).

MOUNTING THE FIXTURE (Fig. 4)

4. Thread wire into canopy (O), lock washer (P), washer (N) and hex nut (K) in sequence, then secure them onto all thread (H) by using wrench (M).
5. Thread studs (L) into pre-drilled holes in circular strap (I) spaced same distance apart as holes on canopy (O).
6. Attach circular strap (I) to outlet box using mounting screws (J) (Size: #8-32N*L0.5"). The side of circular strap marked "GND" must face out. (Fig. 4)

CONNECTING THE WIRES (Fig.3)

7. Connect the electrical wires as shown in Fig. 3 making sure that all wire connectors are secured. If your outlet box has a ground wire (green or bare copper), connect the fixture's ground wire to it. Otherwise, connect the fixture's ground wire directly to the circular strap using the green screw provided.
8. Tuck wire connections neatly into ceiling outlet box and raise canopy to ceiling.

FINISHING THE INSTALLATION (Fig.1)

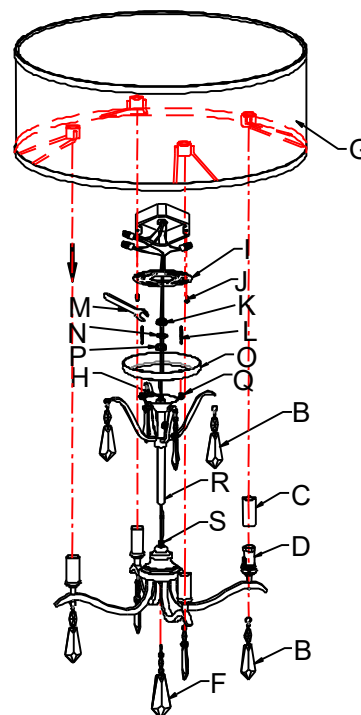
9. Place canopy (O) onto studs (L) and secure with cap nut (Q).
10. Hang crystal drops (B) & (F) to proper position of fixture body.
11. Install (4) four candelabra base bulbs up to 60 watts each or CFL or LED equivalent (not included) in accordance with the fixture specification — **DO NOT EXCEED THE MAXIMUM WATTAGE RATING! (NE PAS DEPASSER LA PUISSANCE NOMINALE MAXIMALE!).**

Your installation is now complete. Return power to the outlet box and test the fixture.

Note: Illustration (Fig. 4) on this manual is for installation purposes only. It may or may not be identical to the fixture purchased.

Fig. 4

Set# A-020
-Circular Strap
-Ground screw
-Mounting Screw *2



Wrench# WRH-Y-89

Candle Cover# CCV21048P-66A