

INSTALLATION INSTRUCTIONS

Item#2483-613 (WALL SCONCE)

READ AND SAVE THESE INSTRUCTIONS

WARNING! SHUT POWER OFF AT FUSE OR CIRCUIT BREAKER.

AVERTISSEMENT! COUPER LE COURANT AU NIVEAU DES FUSIBLES OU DU DISJONCTEUR.

PREPARATION

1. Shut off power at the fuse box or circuit breaker box and remove the old fixture including the mounting hardware.
2. Carefully unpack your new fixture and lay out all the parts in a clear area. Take care not to misplace any small parts necessary for installation.

MOUNTING THE FIXTURE (Fig.1)

3. Thread screws (D) into the pre-drilled holes in the circular strap (A) spaced the same distance apart as the holes in the back plate (E) of the fixture body. The length of screws (D) may be adjusted if necessary.
4. Attach the circular strap (A) to the junction box (not included) using the junction box screws (B) (SIZE: #8-32N, L0.5"). The side of the circular strap (A) marked "GND" must face out.

CONNECTING THE WIRES (Fig. 2)

5. Connect the electrical wires as shown in Fig.2, making sure that all wire connectors are secured. If your junction box has a ground wire (green or bare copper), connect the fixture's ground wire to it. Otherwise, connect the fixture's ground wire directly to circular strap (A) using the green screw (C) provided. After the wires are connected, tuck them carefully inside the junction box.

FINISHING THE INSTALLATION (Fig.1)

6. Place back plate (E) over circular strap (A) aligning the holes in back plate (E) with the screws (D). Secure with two finials (F).
7. Install (1) one medium base bulb (H) up to 60 watts each or CFL or LED equivalent (not included) in accordance with the fixture specification—**DO NOT EXCEED THE MAXIMUM WATTAGE RATING! (NE PAS DEPASSER LA PUISSANCE NOMINALE MAXIMALE!)**
8. Hang glass panels (G) (4pcs string ① and 3pcs string ②) onto hooks (I).

Your installation is now complete. Return power and test the fixture.

Fig. 1

Set#A-020
-Circular strap *1
-Screws*2
-Ground screw*1
-Junction box screw*2

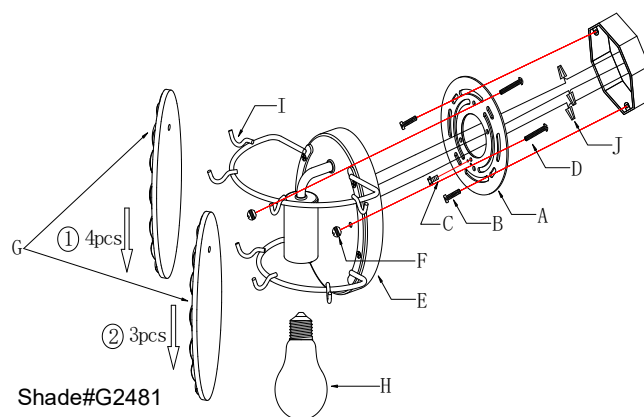
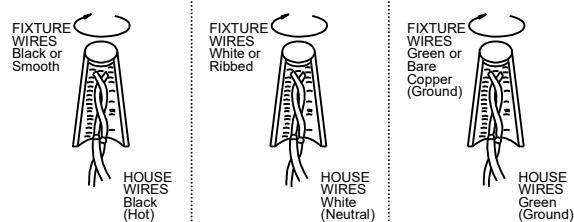
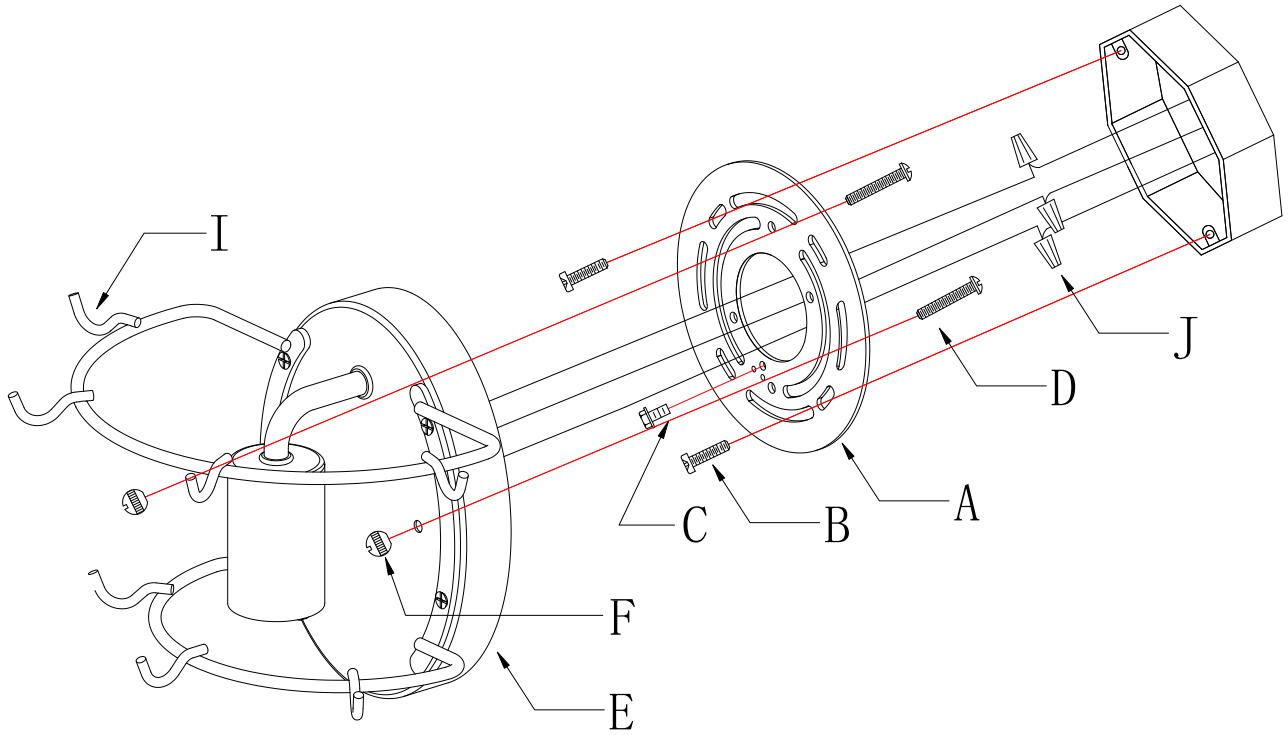


Fig. 2



Note: Illustration (Fig.1) on this manual is for installation purposes only. It may or may not be identical to the fixture purchased.

Fig.3



a. Hardware Bag:

- A. Circular strap *1
- B. Junction box screw*2
- C. Ground screw *1
- D. Screws*2
- F. Finial *2
- J. Wire connectors*3

