

# INSTALLATION INSTRUCTION 4365

## For Flush Mount Ceiling Fixture

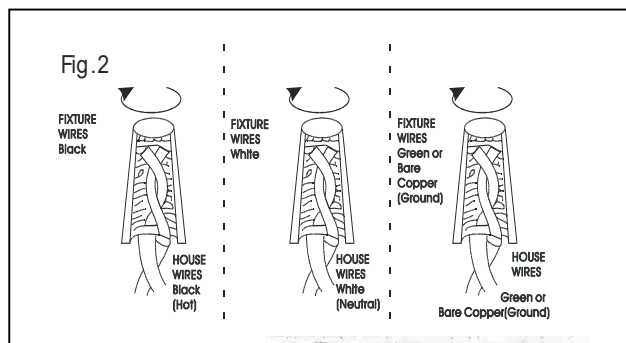
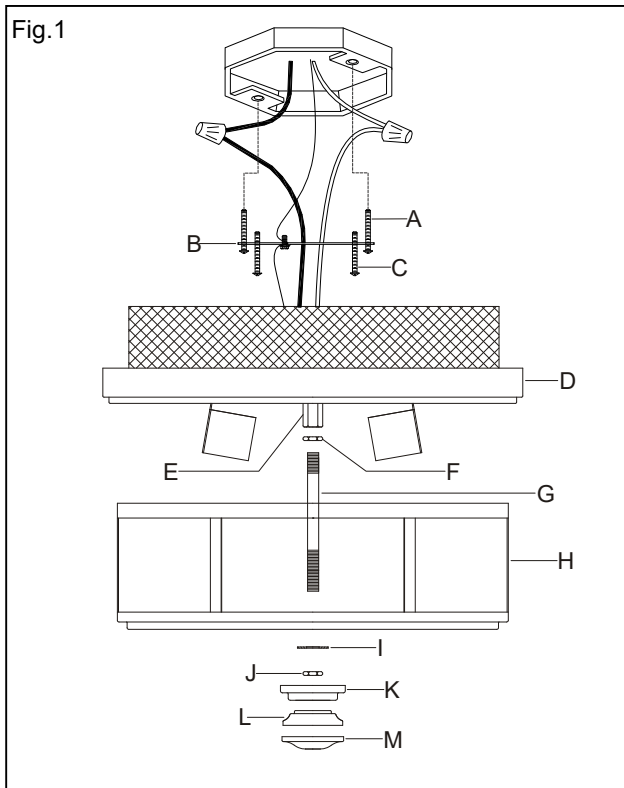
**WARNING! SHUT POWER OFF AT FUSE OR CIRCUIT BREAKER .  
AVERTISSEMENT! COUPER LE COURANT AU NIVEAU DES FUSIBLES OU DU DISJONCTEUR.**

READ AND SAVE THESE INSTRUCTIONS

### MOUNTING THE FIXTURE

1. Shut off the power at the fuse box or circuit breaker box. If necessary, remove the old fixture and all mounting hardware from junction box.
2. Carefully unpack your new fixture and lay out all the parts on a clear area. Take care not to loose any small parts necessary for installation.
3. Thread mounting screws (C) into the match holes on the mounting bar (B). Secure mounting bar (B) to junction box with junction box screws (A). The side of the mounting bar marked "GND" must face out.
4. Connect the electrical wires as show in (Fig. 2). Making sure all wire nuts are secured. You may have to wrap the connections with electrical tape. If your junction box has a ground wire (green or bare copper), connect the fixture's ground wire to it. Otherwise, connect fixture's ground wire directly to the mounting bar (B) using the green screw provided.
6. Tuck wire connections neatly into the junction box.
7. Raise the ceiling pan (D) until the mounting screws protrude through the key slots. Turn the ceiling pan (D) clockwise until mounting screws (C) are in the narrow part of the key slots. Tighten screws (C) with screwdriver.
8. Install (2) two medium base bulbs up to 60 watts each or CFL or LED equivalent (not included) in accordance with the fixture specification. (**DO NOT EXCEED THE MAXIMUM WATTAGE RATING!**) (**NE PAS DEPASSER LA PUISSANCE NOMINALE MAXIMALE!**)
9. Thread nut (F) onto all thread (G) and thread all thread (G) onto coupling (E).
10. Slide glass frame (H) and washer (I) over all thread (G) and secure with nut (J).
11. Slide the caps (K, L) over all thread (G) and secure with finial (M).

Return power to the junction box and test the fixture.  
Your installation is now complete.



**CAUTION-RISK OF FIRE. CONSULT A QUALIFIED ELECTRICIAN TO ENSURE CORRECT BRANCH CIRCUIT CONDUCTOR. MIN 90°C SUPPLY CONDUCTORS.**