

# INSTALLATION INSTRUCTIONS

Item#2733-709 (New. 2022/02/17)

## READ AND SAVE THESE INSTRUCTIONS

**WARNING! SHUT POWER OFF AT FUSE OR CIRCUIT BREAKER.**

**AVERTISSEMENT! COUPER LE COURANT AU NIVEAU DES FUSIBLES OU DU DISJONCTEUR.**

### MOUNTING THE FIXTURE (Fig.1)

1. Shut off power at the fuse box or circuit breaker box and remove the old fixture including the mounting hardware.
2. Carefully unpack your new fixture and lay out all the parts in a clear area. Take care not to misplace any small parts necessary for installation.
3. Loosen screws (D) to remove mounting plate (A) from fixture body (C).
4. Position mounting plate (A) on the wall and mark the location of four drywall anchors (I). Pre-drill the holes for the drywall anchors (I). Insert the drywall anchors (I) into the wall.
5. Attach mounting plate (A) to junction box (not included) with mounting screws (B) (Size: #8-32N\*L0.5"). The side of the mounting plate (A) marked "GND" and two convex points must face out.
6. Place woodscrews (J) through holes into the drywall anchor (I) to secure the mounting plate (A) as shown in Fig.1.

### CONNECTING THE WIRES (Fig. 2)

7. Connect the electrical wires as shown in Fig. 2, making sure that all wire connectors are secured. If your junction box has a ground wire (green or bare copper), connect the fixture's ground wire to it. Otherwise, connect the fixture's ground wire directly to the mounting plate (A) using the green screw provided. After the wires are connected, tuck them carefully inside the junction box.

### FINISHING THE INSTALLATION (Fig.1)

8. Place fixture body (C) over mounting plate (A) and secure with screws (D).
9. Place glass shade (F) over socket (E) and secure with metal ring (G).
10. Install (3) three candelabra base bulbs (H) up to 60 watts each or CFL or LED equivalent (not included) in accordance with the fixture specification — **DO NOT EXCEED THE MAXIMUM WATTAGE RATING! (NE PAS DEPASSER LA PUISSANCE NOMINALE MAXIMALE!)**

Your installation is now complete. Return power and test the fixture.

**Note: Illustration (Fig.1) on this manual is for installation purposes only. It may or may not be identical to the fixture purchased.**

Fig. 1

Set#A-021-170118A  
-Mounting screw\*2  
-Ground screw  
-Mounting plate

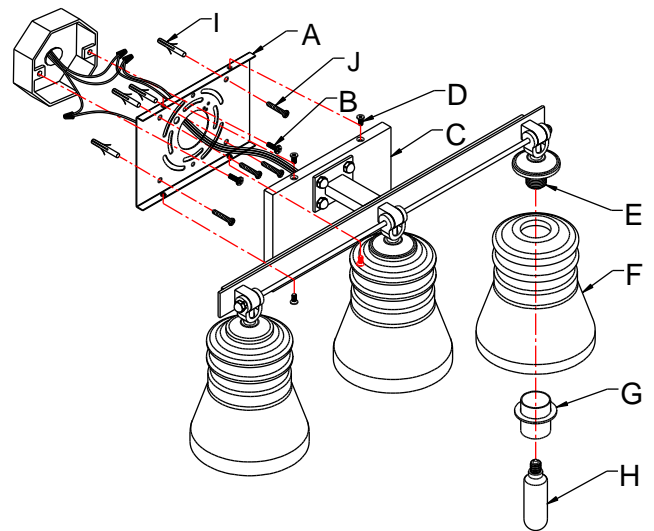
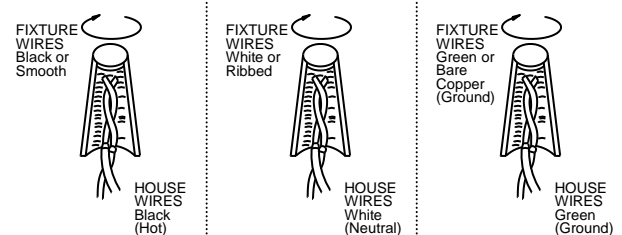


Fig. 2



LA-3522E