

INSTALLATION INSTRUCTIONS For 4133

**WARNING! SHUT POWER OFF AT FUSE OR CIRCUIT BREAKER .
AVERTISSEMENT! COUPER LE COURANT AU NIVEAU DES FUSIBLES OU DU DISJONCTEUR.**

READ AND SAVE THESE INSTRUCTIONS

MOUNTING THE FIXTURE (Fig. 1)

1. Shut off the power at the fuse box or circuit breaker. If necessary, remove the old fixture including the mounting hardware.
2. Carefully remove the new fixture from the carton and check that all parts are included as shown in the illustration.
3. Thread the two mounting screws (A) (Size:#8-32*1.4"L) part way into the crossbar (B).
4. Secure the crossbar (B) to the junction box using the junction box screws (C) (Size:#8-32*0.6"L). The side of the crossbar marked "GND" must face out.

CONNECTING THE WIRES (Fig. 2)

5. At this point, connect the electrical wires as shown in Fig. 2, making sure that all wire connectors are secured. If your outlet box has a ground wire (green or bare copper), connect the fixture's ground wire to it. Otherwise, connect the fixture's ground wire directly to the mounting plate using the green screw provided. After the wires are connected, tuck them carefully inside the outlet box.

COMPLETING THE INSTALLATION (Fig. 1)

6. Raise the fixture body (D) allowing for the mounting screws (A) to protrude through the holes on the fixture body (D), then secure with the finials (E).
7. Install the light bulbs (Included) in accordance with the fixture's specifications. **(DO NOT EXCEED THE MAXIMUM WATTAGE!) (NE PAS DEPASSER LA PUISSANCE NOMINALE MAXIMALE!).**
8. Thread the rod (G) into the coupling (F).
9. Slide the wire netting (H) onto the rod (G), then secure with the finial (I).

Your installation is now complete. Return power to the junction box and test the fixture.

Fig.1

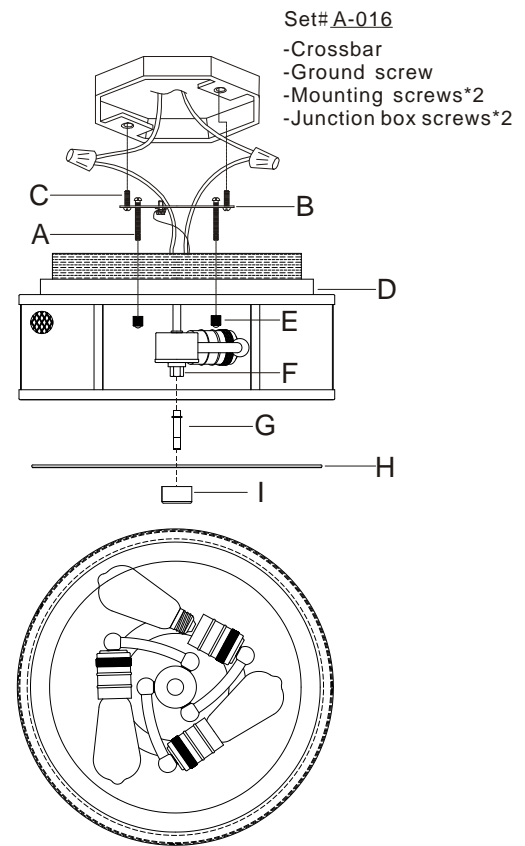
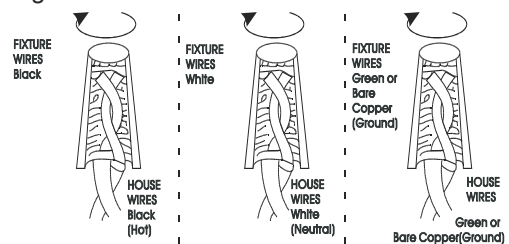


Fig.2



CAUTION-RISK OF FIRE. CONSULT A QUALIFIED ELECTRICIAN TO ENSURE CORRECT BRANCH CIRCUIT CONDUCTOR. MIN 90°C SUPPLY CONDUCTORS.