

INSTALLATION INSTRUCTIONS

Item#2338-66A

READ AND SAVE THESE INSTRUCTIONS

WARNING! SHUT POWER OFF AT FUSE OR CIRCUIT BREAKER.
AVERTISSEMENT! COUPER LE COURANT AU NIVEAU DES FUSIBLES OU DU DISJONCTEUR.

MOUNTING THE FIXTURE (Fig.1)

1. Shut off the power at the fuse box or circuit breaker. If necessary, remove the old fixture, including the mounting hardware.
2. Carefully remove the fixture from the carton and check that all parts are included as shown in the illustration.

ASSEMBLING THE FIXTURE WITH CORD (Fig. 1)

3. Determine the desired hanging height and if necessary, cut the cord leaving an additional 5" to allow for the electrical connections.
4. If need, use flathead screw driver to loosen the screw (J) to adjust the length of the cable wire, then tighten the screw (J) until (K) is snug.
5. Attach the mounting plate (A) to junction box (Not included) with screws (B). The side of the mounting plate (A) marked "GND" must face out.

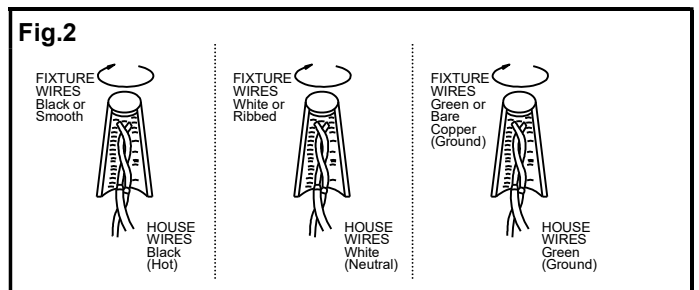
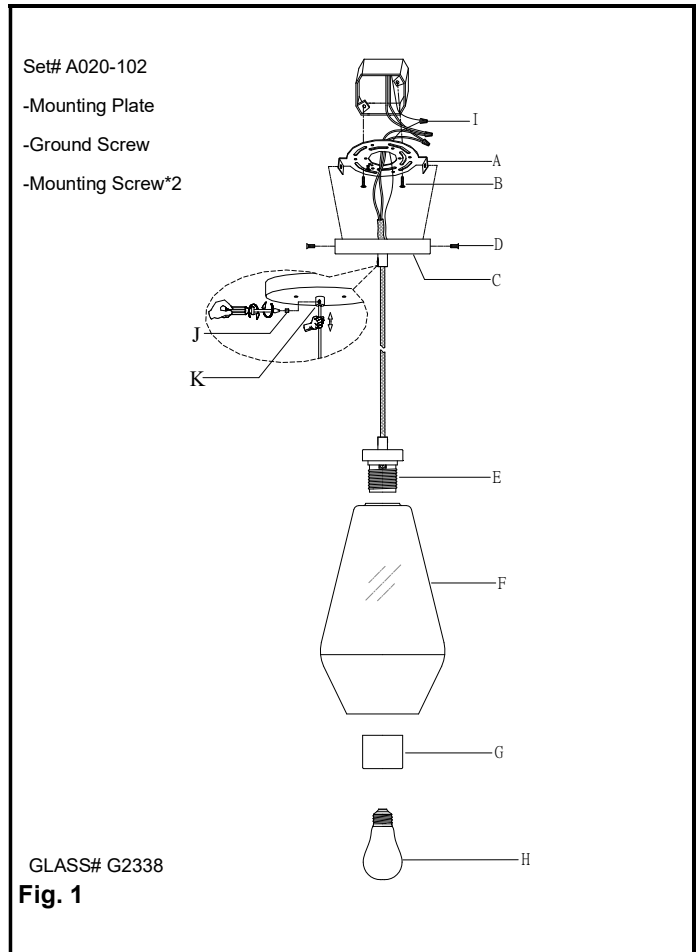
CONNECTING THE WIRES (Fig.2)

6. At this point, connect the electrical wires as shown in Fig.2, making sure that all wire connectors (I) are secured. If your junction box has a ground wire (green or bare copper), connect the fixture' ground wire to it. Otherwise, connect the fixture's ground wire directly to the mounting plate (A) using the green screw provided.
7. Tuck wire connectors neatly into junction box.

FINISHING THE INSTALLATION (Fig.1)

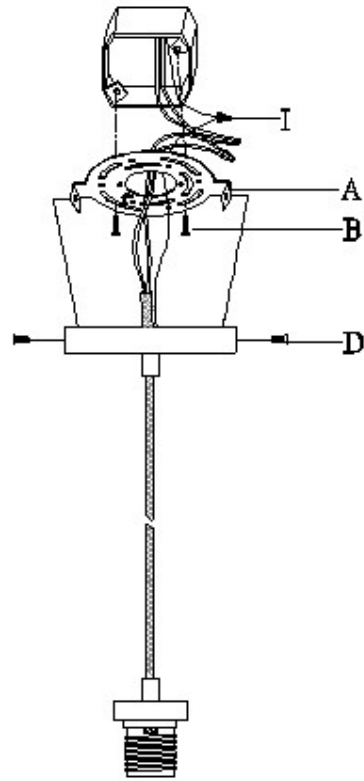
8. Place canopy (C) over mounting plate (A) and secure with canopy screws (D).
9. Unscrew metal cover (G) from socket (E). Position glass shade (F) onto socket and secure with metal cover (G).
10. Install (1) one medium base bulb (H) up to 60 watts each or CFL or LED equivalent (not included) in accordance with the fixture specification—**DO NOT EXCEED THE MAXIMUM WATTAGE RATING! (NE PAS DEPASSER LA PUISSANCE NOMINALE MAXIMALE!)**.

Your installation is now complete. Return power to junction box and test the fixture.



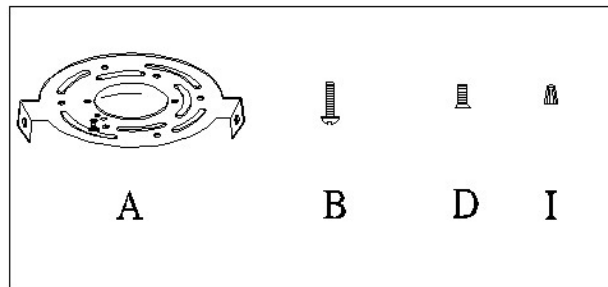
Note: Illustration (Fig.1) on this manual is for installation purposes only. It may or may not be identical to the fixture purchased.

Fig.3



a. Hardware Bag:

- A. Mounting Plate*1
- B. Outlet Box Screws*2
- D. Canopy Screw*2
- I. Wire Connector*3



b. Hardware Bag:

- F. Glass Shade*1
- G. Metal Cover*1

