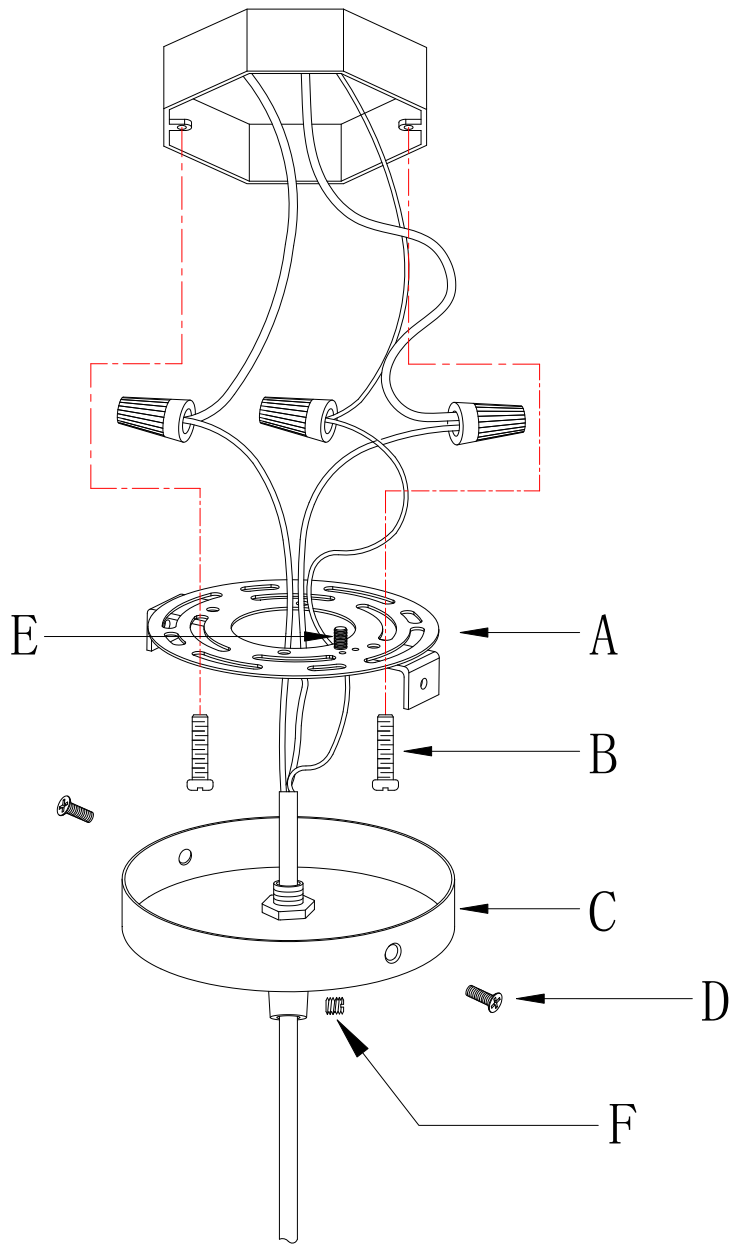




**Fig.3**



**a. Hardware Bag:**

- A. Mounting plate\*1
- B. Outlet box Screw\*2
- C. Canopy \*1
- D. Screw\*2
- E. Ground screw\*1

