

INSTALLATION INSTRUCTIONS

Item#2785-695 (New. 2022/01/20)

READ AND SAVE THESE INSTRUCTIONS

WARNING! SHUT POWER OFF AT FUSE OR CIRCUIT BREAKER.

AVERTISSEMENT! COUPER LE COURANT AU NIVEAU DES FUSIBLES OU DU DISJONCTEUR.

MOUNTING THE FIXTURE (Fig.1)

1. Shut off power at the fuse box or circuit breaker box and remove the old fixture including the mounting hardware.
2. Carefully unpack your new fixture and lay out all the parts in a clean area. Take care not to misplace any small parts necessary for installation.
3. Secure rod (H) onto all thread (I) on fixture body.
4. Place rod assembly (G) over all thread (E) on rod (H). Carefully pass the wires through rod (H) during assembly.
5. Determine the desired hanging height and thread rods (F1, F2 and F3) to the all thread (E) of rod (H). Attach canopy (C) by threading onto rod (F1). Carefully feed wires through each rod as you assemble. Note: Remove all thread, if installing with one 6" rod only.
6. Attach mounting plate (A) to junction box (Not included) with mounting screws (B) (Size: #8-32N*L0.5"). The side of the mounting plate (A) marked "GND" and two convex points must face out.

CONNECTING THE WIRES (Fig. 2)

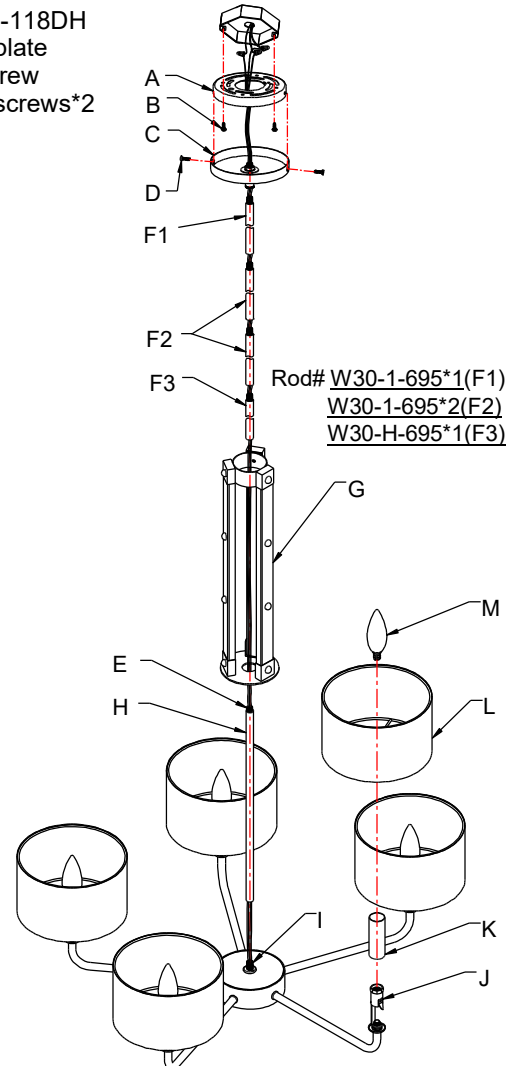
7. Connect the electrical wires as shown in fig 2, making sure that all wire connectors are secured. If your junction box has a ground wire (green or bare copper), connect the fixture's ground wire to it. Otherwise, connect the fixture's ground wire directly to the mounting plate (A) using the green screw provided.
8. Tuck wire connectors neatly into the junction box.

FINISHING THE INSTALLATION (Fig.1)

9. Place canopy (C) over mounting plate (A) and secure with screws (D).
10. Place candle covers (K) over sockets (J).
11. Place cloth shade (L) onto candle cover (K). Adjust cloth shade (L) if necessary.
12. Install (5) five candelabra base bulbs (M) up to 60 watts each or CFL or LED equivalent (not included) in accordance with the fixture specification—**DO NOT EXCEED THE MAXIMUM WATTAGE RATING! (NE PAS DEPASSER LA PUISSANCE NOMINALE MAXIMALE!)**

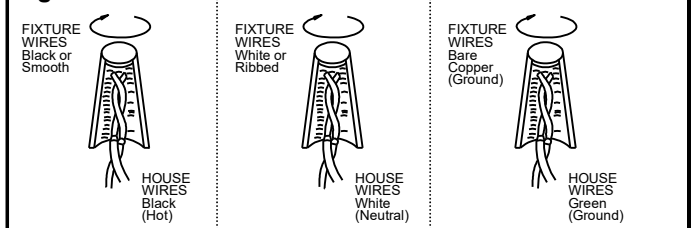
Fig. 1

Set# A-021-118DH
 -Mounting plate
 -Ground screw
 -Mounting screws*2



Candle cover# CCV24075P-695

Fig. 2



Your installation is now complete. Return power to the junction box and test the fixture.

Note: Illustration (Fig.1) on this manual is for installation purposes only. It may or may not be identical to the fixture purchased.