

INSTALLATION INSTRUCTIONS

Item#4876-283 (New. 04/ 22/ 2014)

READ AND SAVE THESE INSTRUCTIONS

WARNING! SHUT POWER OFF AT FUSE OR CIRCUIT BREAKER.
AVERTISSEMENT! COUPER LE COURANT AU NIVEAU DES FUSIBLES OU DU DISJONCTEUR.

ASSEMBLING THE FIXTURE (Fig.1)

1. Shut off the power at the fuse box or circuit breaker. If necessary, remove the old fixture including the mounting hardware.
2. Carefully remove the new fixture from the carton and check that all parts are included as shown in the illustration.
3. Remove the screw (F), and remove the outer frame (J).
4. Insert glass (H) into the outer frame (J), and secure the glass with clips (I).
5. Place the fixture body (G) into the outer frame (J), and secure with screws (F)

MOUNTING THE FIXTURE (Fig.1)

6. Thread screws (A) into the pre-drilled holes in the circular strap (B) spaced the same distance apart as the holes in the canopy of the fixture body (G) and secure with hex nuts (C).
7. Attach the circular strap (B) to the junction box using the mounting screws (D) (size: #8-32N*L0.5"). The side of circular strap (B) marked "GND" must face out.

CONNECTING THE WIRES (Fig. 2)

8. At this point, raise the fixture to the ceiling and connect the electrical wires as shown in figure 2, making sure that all wire connectors are secured. If your outlet box has a ground wire (green or bare copper), connect the fixture's ground wire to it. Otherwise, connect the fixture's ground wire directly to the circular strap using the green screw provided. After wires are connected, tuck them carefully into the ceiling junction box.

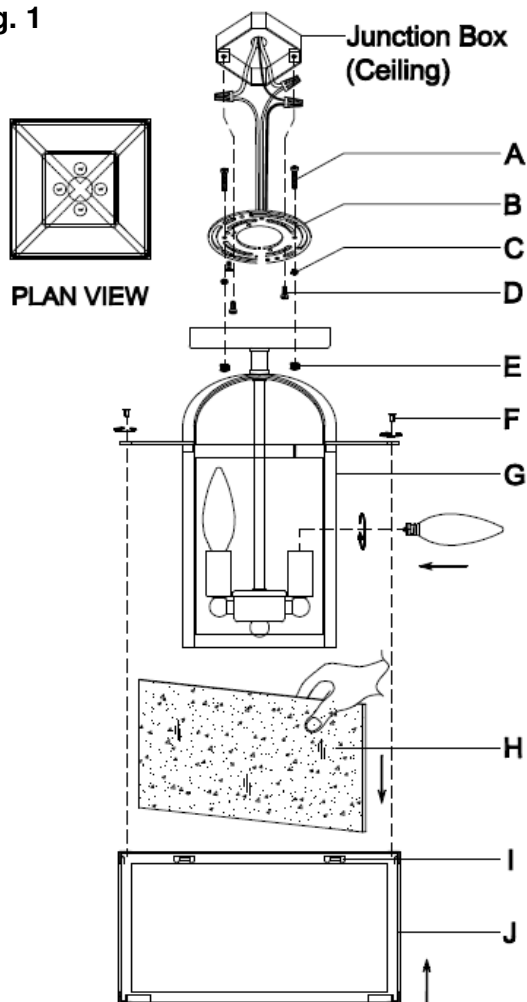
FINISHING THE INSTALLATION (Fig. 1)

9. Align the fixture body (G) to screws (A) and secure it with cap nuts (E).
10. Install the light bulbs (not included) in accordance with the fixture's specifications. (**DO NOT EXCEED THE MAXIMUM WATTAGE RATING!**) (**NE PAS DEPASSER LA PUISSANCE NOMINALE MAXIMALE!**)

Your installation is now complete. Return power to the outlet box and test the fixture.

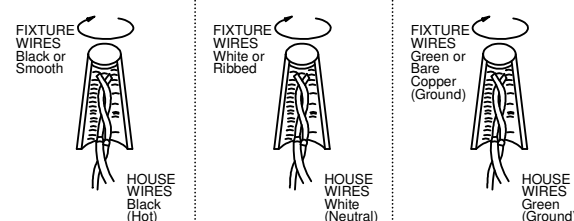
Note: Illustration (Fig.1) on this manual is for installation purposes only. It may or may not be identical to the fixture purchased.

Fig. 1



Set# A-020
- Circular Strap
- Ground Screw
- Mounting Screw*2

Fig. 2



american lighting association