

INSTALLATION INSTRUCTIONS

Item# 4347-593

READ AND SAVE THESE INSTRUCTIONS

WARNING! SHUT POWER OFF AT FUSE OR CIRCUIT BREAKER.

AVERTISSEMENT! COUPER LE COURANT AU NIVEAU DES FUSIBLES OU DU DISJONCTEUR.

ASSEMBLING THE FIXTURE (Fig.1)

1. Shut off the power at the fuse box or circuit breaker. If necessary, remove the existing fixture and its mounting hardware from the ceiling.
2. Carefully remove the new fixture from the carton and check that all parts are included as shown in the illustration.
3. Thread screws (A) into the pre-drilled holes in the circular strap (B) spaced the same distance apart as the holes in the canopy of the fixture body (F) and secure with hex nuts (C).
4. Attach the circular strap (B) to the junction box using the mounting screws (D) (**size: #8-32N*L0.5"**). The side of circular strap (B) marked "GND" must face out.

CONNECTING THE WIRES (Fig.2)

5. At this point, raise the fixture to the ceiling and connect the electrical wires as shown in figure 2, making sure that all wire connectors are secured. If your outlet box has a ground wire (green or bare copper), connect the fixture's ground wire to it. Otherwise, connect the fixture's ground wire directly to the circular strap using the green screw provided. After wires are connected, tuck them carefully into the ceiling junction box.

HANGING THE FIXTURE (Fig. 1)

6. Align the fixture body (F) to screws (A) and secure it with cap nuts (E).
7. Attach the acrylic ball (J) to the fixture body (F) by turning it clock wise until tight.
8. Install the light bulbs (not included) in accordance with the fixture's specifications: **DO NOT EXCEED THE MAXIMUM WATTAGE RATING! (NE PAS DEPASSER LA PUISSANCE NOMINALE MAXIMALE!)**

Your installation is now complete. Return power to the junction box and test the fixture.

Note: Illustration (Fig.1) (Fig.2) on this manual is for installation purposes only. It may or may not be identical to the fixture purchased.

Fig. 1

Set # A-022

- Circular strap
- Ground Screw
- mounting screws (2)

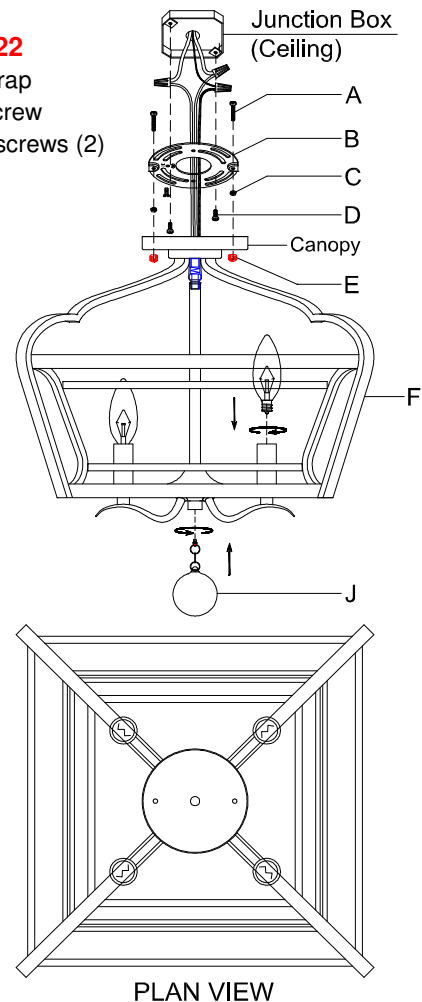


Fig. 2

