

# INSTALLATION INSTRUCTIONS

For Model 1972

## READ AND SAVE THESE INSTRUCTIONS

**WARNING! SHUT POWER OFF AT FUSE OR CIRCUIT BREAKER.**  
**AVERTISSEMENT! COUPER LE COURANT AU NIVEAU DES FUSIBLES OU DU DISJONCTEUR.**

### MOUNTING THE BACKPLATE (Fig.1)

1. Shut off the power at the circuit breaker and remove old fixture, including the crossbar.
2. Carefully unpack your new fixture and lay out all the parts on a clear area. Take care not to lose any small parts necessary for installation.
3. Attach the crossbar (A) to the outlet box using two outlet Box Screws (B). The side of the Crossbar marked "GND" must face out.
4. Thread the nipple(C) part way into the center hole of the crossbar(A).

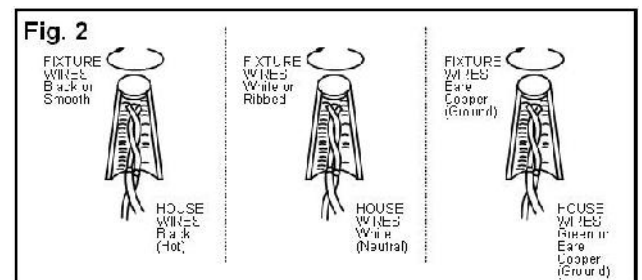
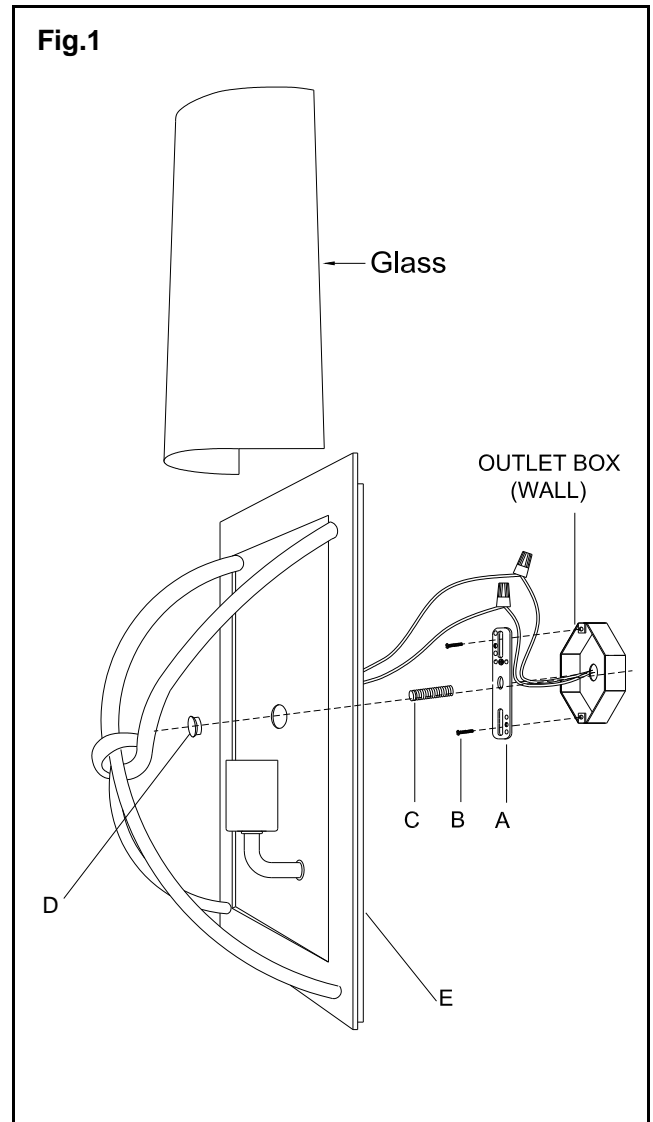
### CONNECTING THE WIRES (Fig. 2)

1. At the point, connect the electrical wires as follow, Connect the black wire from the fixture to the black house (hot) wire. Connect the white wire from the fixture to the white (neutral) house wire. Make sure all wire nuts are secured. You may wrap the connections with electrical tape. If your outlet box has a ground wire (green or bare copper) connects fixture's ground wire to it. Otherwise connect fixture's ground wire directly to the crossbar using the green screw provided.

### MOUNTING FIXTURE AND SHADE

1. After the wires are connected tuck them carefully inside the outlet box as you place the backplate (E) over the nipple (C). Secure the backplate (E) against the wall using Cap Nut (D).
2. Install glass shade by referring to figures 1.
3. Install the bulb in accordance with the fixture's specification. **(DO NOT EXCEED THE MAXIMUM WATTAGE RATING!!) (NE PAS DEPASSER LA PUISSANCE NOMINALE MAXIMALE!).**

Your installation is now complete. Return power to the junction box and test the fixture.



**MIN 90°C SUPPLY CONDUCTORS**

LA-1846E

