

INSTALLATION INSTRUCTION 6919

For Flush Mount Ceiling Fixture

**WARNING! SHUT POWER OFF AT FUSE OR CIRCUIT BREAKER .
AVERTISSEMENT! COUPER LE COURANT AU NIVEAU DES FUSIBLES OU DU DISJONCTEUR.**

READ AND SAVE THESE INSTRUCTIONS

PREPARATION

1. Shut off the power at the fuse box or circuit breaker box. If necessary, remove the old fixture and all mounting hardware from junction box.
2. Carefully unpack your new fixture and lay out all the parts on a clear area. Take care not to loose any small parts necessary for installation.

MOUNTING THE FIXTURE (FIG.1)

3. Thread mounting screws (A) into the match holes in the circular strap (B). Secure the circular strap (B) to outlet box with outlet box screws (C). The side of the circular strap marked "GND" must face out.

CONNECTING THE WIRES (Fig. 2)

4. At this point, connect the electrical wires as show in (Fig. 2). Making sure all wire nuts are secured. You may have to wrap the connections with electrical tape. If your outlet has a ground wire (green or bare copper), connect the fixture's ground wire to it. Otherwise connect fixture's ground wire directly to the crossbar using the green screw provided.
5. Tuck these wire connections neatly into the ceiling junction box and then raise the ceiling pan (D) all the way to the ceiling.

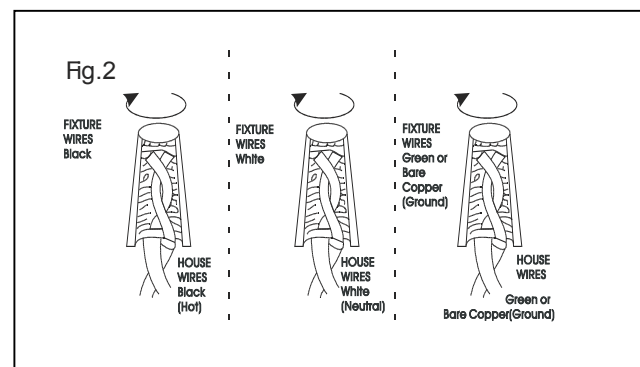
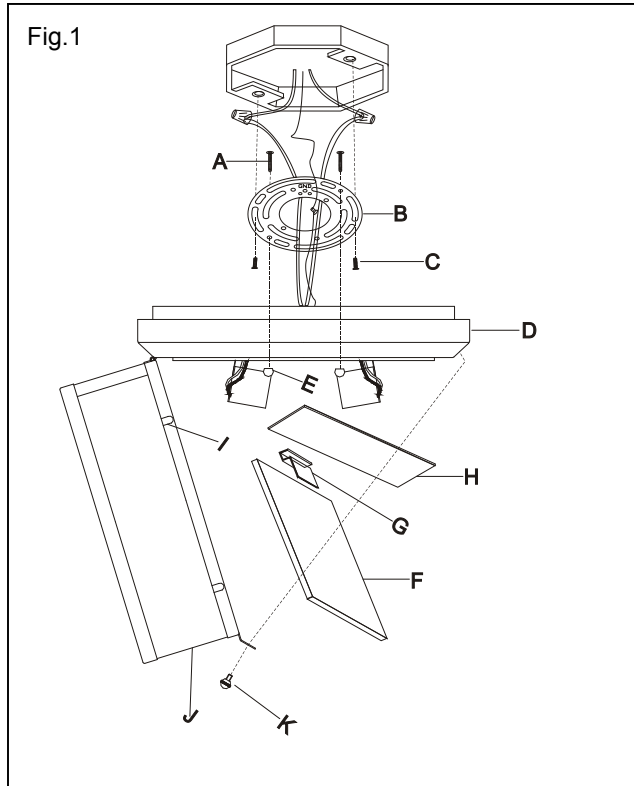
COMPLETING THE INSTALLATION

6. Raise the ceiling pan (D) allowing for the mounting screws (A) to protrude through the hole in the ceiling pan (D), and secure with ball nuts (E).
7. Place the glass panel (F) on the bottom of the glass frame (J), then place the clip (G) in the middle of the edge, repeat this step for the other clips.
8. Insert the side glass panels (H) into the clips (G), then using the sheet metals (I) to compact the glass panels (H).
9. Install the light bulbs in accordance with the fixture's specifications.

(DO NOT EXCEED THE MAXIMUM WATTAGE RATING!) (NE PAS DEPASSER LA PUISSANCE NOMINALE MAXIMALE!)

10. Attach glass frame (J) to ceiling pan (D) and secure with enclosed screws (K). Hand tightens until snug.

Return power to the junction box and test the fixture. Your installation is now complete.



CAUTION-RISK OF FIRE. CONSULT A QUALIFIED ELECTRICIAN TO ENSURE CORRECT BRANCH CIRCUIT CONDUCTOR. MIN 90°C SUPPLY CONDUCTORS.