

# INSTALLATION INSTRUCTIONS

Item#1734 (New. 01/21/2011)

**WARNING! SHUT POWER OFF AT FUSE OR CIRCUIT BREAKER.  
AVERTISSEMENT! COUPER LE COURANT AU NIVEAU DES FUSIBLES OU DU DISJONCTEUR.**

## ASSEMBLY THE FIXTURE (FIG. 1)

1. Shut off the power supply at the fuse box or circuit breaker. Remove the old fixture from ceiling, including the old cross bar.
2. Carefully unpack your new fixture and lay out all the parts on a clear area. Take care not to lose any small parts necessary for installation.
3. Attach the Mounting Plate (A) to the Junction box using Mounting Screws (B). The side of the mounting plate with "GND" marked on it must face out.
4. Determine length desired and thread Bar (F) to nipple (G), then place the Canopy (C) over the Bar (F) and thread the Hanger Ball (E) to Bar (F).
5. While holding the fixture body, install the Hanger Ball (E) by tilting Ball at an angle so that it slips into slot of Mounting Plate (A) as shown.

Your installation is now complete. Return power to the junction box and test the fixture.

**Note: Illustration (Fig. 1) on this manual is for installation purposes only. It may or may not be identical to the fixture purchased.**

## CONNECTING THE WIRES(FIG.2)

6. At this point, connect the electrical wire as shown in figure 2, making sure that all wire connectors are secured. If your outlet has a ground wire (green or bare copper), connect the fixtures Ground Wire to it. Otherwise, connect the fixture Ground Wire directly to the mounting plate Ground wires together and secure with wire connectors provided.
7. After wires are connected, tuck them carefully into the ceiling junction box, then place Canopy (C) over the Mounting Plate (A) and secure it against ceiling with Screws (D).
8. Put the glass shade(I) onto socket(H), and secure it with socket ring(J).

## COMPLETING THE INSTALLATION (Fig. 1)

9. Install Light bulbs (not include) in accordance with the fixture's specifications. **(DO NOT EXCEED THE MAXMUM WATTAGE RATING!) (NE PAS DEPASSER LA PUISSANCE NOMINALE MAXIMALE!).**

Fig.1

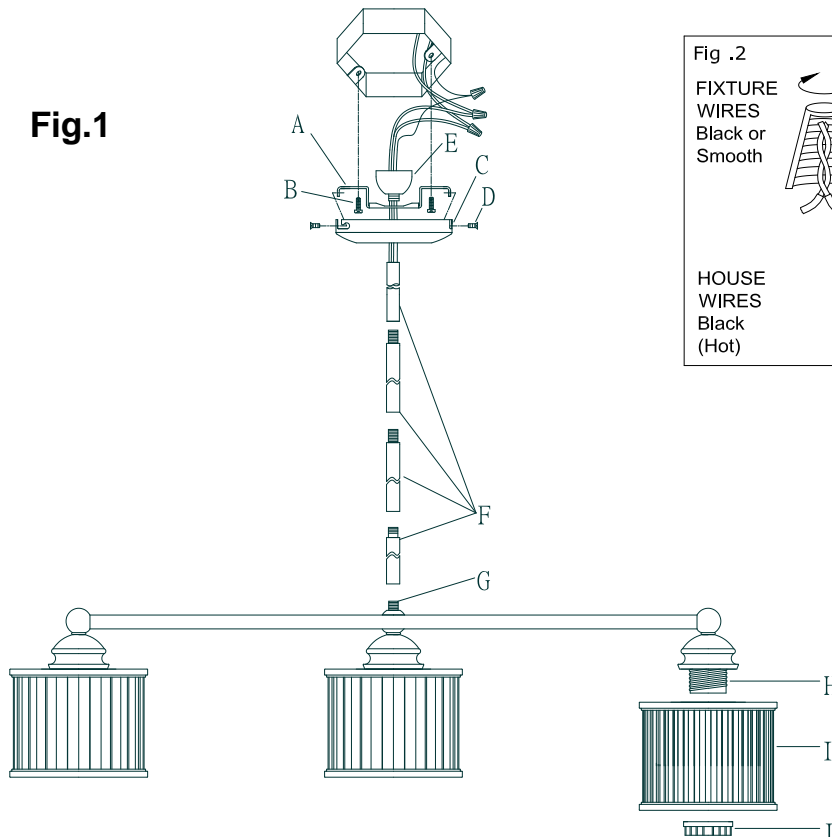


Fig .2

<p>FIXTURE WIRES Black or Smooth</p>	<p>FIXTURE WIRES White or Ribbed</p>	<p>FIXTURE WIRES Bare Copper (Ground)</p>
<p>HOUSE WIRES Black (Hot)</p>	<p>HOUSE WIRES White (Neutral)</p>	<p>HOUSE WIRES Green (Ground)</p>



american  
lighting  
association