

**BE SURE TO FOLLOW ALL STEPS IN THE ORDER GIVEN.
BE SURE POWER IS OFF AT FUSE, OR CIRCUIT BREAKER BOX.**

CAUTION: To reduce the risk of fire or electric shock, disconnect the power by turning off the circuit breaker or removing the fuse at fuse box before installing the light kit.

Step 1. Remove and discard the center plug from the switch cup. (Fig. 1)

Step 2. Feed the BLACK and WHITE wires from the light kit through the center hole of the switch cup. Thread the switch cup to the nipple on the light kit. (Fig. 1) Make sure the light kit is securely attached to the switch cup to prevent it from vibrating loose during fan operation.

Step 3. Carefully move the wires in the switch cup to the side to allow the lock washer and nut to be threaded onto the nipple in light kit. Do not over tighten.

Step 4. Locate the WHITE and BLUE wires in the switch cup labeled "LIGHT", remove the wire nuts attached to these wires. (Fig. 1)

Step 5. Proceed to make the wire connections as follows; Connect the WHITE wire from the switch cup to the WHITE wire from the light kit, secure the connection with a wire nut previously removed. Follow the same procedure for the BLUE wire from switch cup and BLACK wire from light kit. You may wrap the connections with electrical tape for added safety. (Fig. 1)

Step 6. Carefully and neatly tuck the wire connections into the switch cup.

Step 7. Remove the screws from the switch cup plate. Place the switch cup with light kit attached close to the switch cup plate, align the plastic connectors from switch cup and the switch cup plate and firmly snap the two connectors. (Fig. 2) Make sure the connectors are properly connected and that non of the single wires is pushed out of the plastic connectors.

Step 8. Slide the switch cup up over the switch cup plate and rotate until the screw holes are aligned. Secure the switch cup with three screws previously removed. (Fig. 2)

CAUTION: Make sure that the wires are not pinched between the switch cup and the switch cup plate.

Step 9. Install 1x4W LED bulb (included).

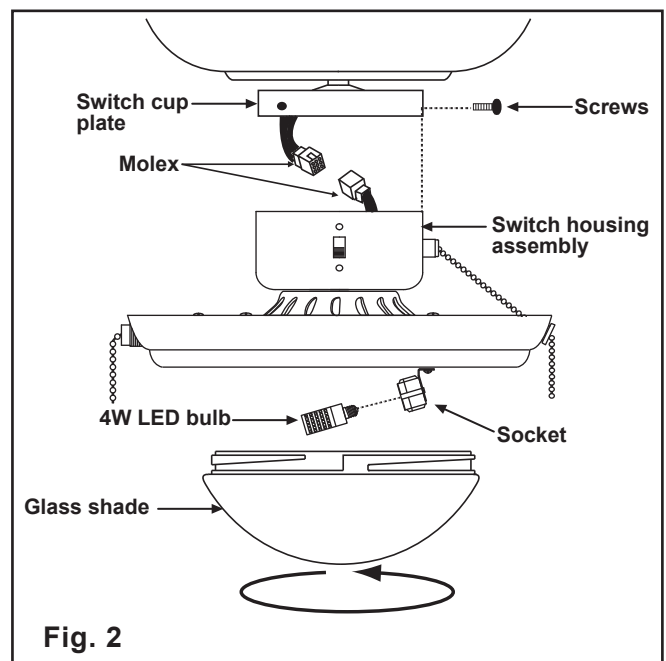
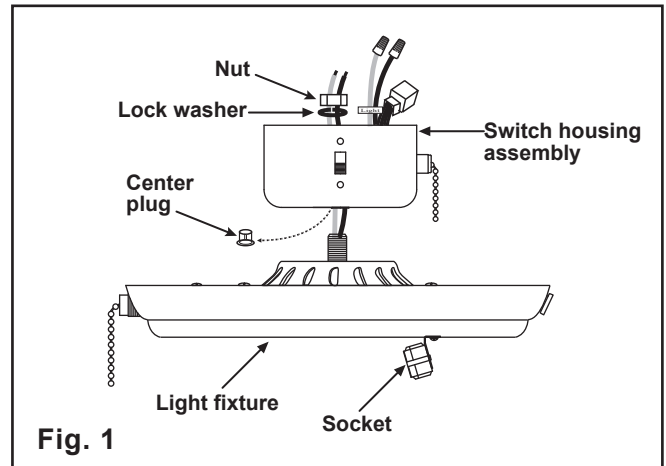
Step 10. Install the glass shade by carefully turning it clockwise until snug. DO NOT OVERTIGHTEN.

CAUTION: To reduce The Risk Of Fire And Electric Shock, This Light Kit Should Be Used Only With The Fan Models Listed Below:

Models: AC-542/AC-552/AC-652.

Manufactured By Air Cool Industrial Co, Ltd.

The Maximum weight : K9373L - 1.07 kgs
K9374L - 1.35 kgs
K9375L - 1.43 kgs



Manual design and all elements of manual design are protected by U.S. Federal and/or State Law, including Patent, Trademark and/or Copyright laws.

