

READ AND SAVE THESE INSTRUCTIONS

BE SURE TO FOLLOW ALL STEPS IN THE ORDER GIVEN.
BE SURE POWER IS OFF AT FUSE, OR CIRCUIT BREAKER BOX.

Attention: The Energy Policy Act of 2005 requires this fan to be equipped with limiting device. If lamping exceeds 75 watts, the ceiling fan's light kit will shut off automatically.

CAUTION: Before starting installation, disconnect the power by turning off the circuit breaker or removing the fuse at the fuse box.

1. Loosen the screws and remove the switch cup. (Fig. 1) Disconnect the connection plug from the fan and switch cup. (Fig. 1)
2. Remove and discard the center plug from the switch cup. Attach the light kit to the switch cup by feeding the wires and threading the light kit through the hole of the switch cup, secure it to the switch cup using the nut and lock washer. Be sure it is tight enough to prevent the light kit from vibrating loose. (Fig.1)
3. Make the wire connections as follows and secure with the wire nuts provided:
 - Connect white wire from switch cup to white wire from light kit.
 - Connect blue wire from switch cup to black wire from light kit.
 - Connect the connection plugs from the switch cup and fan.
4. Re-Connect the connection plugs from the switch cup to the fan, Re-attach the switch cup that is now assembled with the LED light kit to the switch cup plate using the screws previously removed.

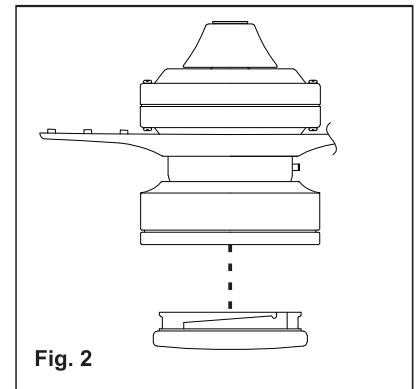
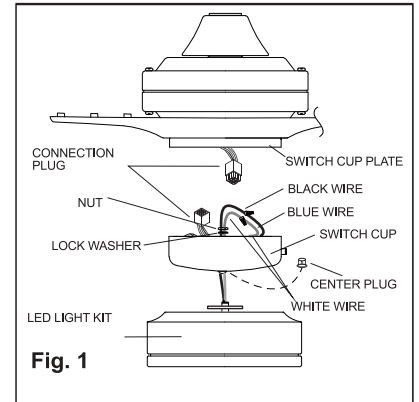
CAUTION: Make sure that the wires are not pinched between the switch cup and the switch cup plate.

Note: Lamping in excess of 75 watt will disable your light kit. To reset your light kit you must turn the power off and re-lamp keeping the wattage under 75 watts.

5. Raise glass shade up against light kit plate and secure it to fan by turning it clockwise until snug. **DO NOT OVERTIGHTEN.**

CAUTION: To reduce The Risk Of Fire And Electric Shock This Light Kit Should Be Used Only With The Fan Models Listed Below: Models: **CF352AW-F727.**

Manufactured by Summer Wind Limited. Approximate maximum Weight: **K9727L - XX LBS**



Manual design and all elements of manual design are protected by U.S. Federal and/or State Law, including Patent, Trademark and/or Copyright law.

ELECTRICAL CONNECTIONS

Follow the steps below to connect the fan to your house supply wires. Use the wire nuts supplied with your fan. Secure the wire nuts by wrapping the connection with electrical tape.

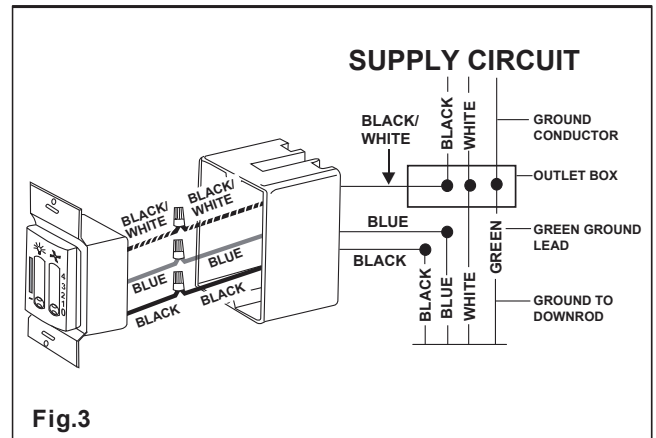
Step 1. Disconnect the power and remove the existing wall plate and switch from the wall junction box.

Step 2. Set the knob of light on the wall control in the - position and set the knob of speed on the wall control in the O position.(Fig.3)

Step 3. Make wire connections (Fig. 3) and secure with wire nuts supplied.

- Black wire from fan to black wire from speed control.
- Black/White wire from speed control to black wire from the A/C supply source.
- White wire from fan to white wire from the A/C supply source.
- Blue wire from fan to blue wire from light control.
- Connect the fan ground wire (green) to the household ground wire.

If your outlet box has a ground wire (green or bare copper) connect the wall control's ground wire to it; otherwise connect the wall control's ground wire directly to one of the screws from the outlet box.

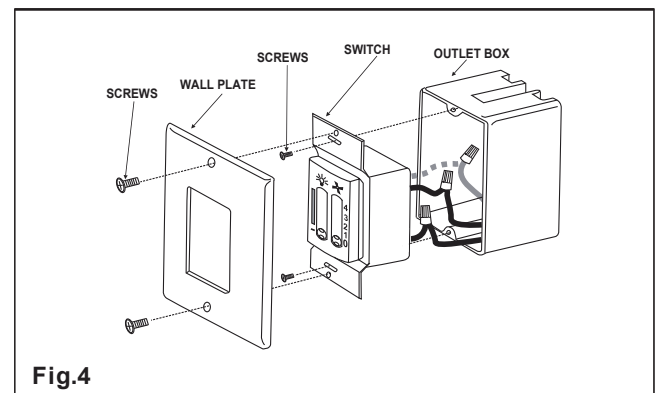


INSTALLING THE WALL CONTROL

Remember to shut the power off at the circuit breaker or fuse box.

WARNING: HOOK UP IN "SERIES ONLY" DO NOT CONNECT THE HOT AND NEUTRAL WIRES OF ELECTRIC CIRCUIT TO THE WALL CONTROL - DAMAGE TO THE SWITCH AND POSSIBLE FIRE COULD OCCUR.

1. (Fig. 4) Carefully tuck the wire connections inside the junction box. Secure the wall control with the two screws provided.
2. Attach the wall plate over the wall control and secure with the two screws provided.



OPERATING YOUR FAN

Restore power to ceiling fan and test for proper operation.

1. The fan 4-speed control is used to set the fan speed as follows:

0= Turns the fan off

1= High Speed

2= Medium High Speed

3= Medium Speed

4= Low Speed

2. The "☀️" button will control the lights, brightness dimmer and off.

Speed settings for warm or cool weather depend on factors such as the room size, Ceiling height, number of fans, etc.