



# 44" Light Wave

BY

**minkaAire**<sup>®</sup>  
A Minka Group<sup>®</sup> Co.

U.S. Patent(s) : D750,213;  
Add'l U.S. Patent(s) Pending

*INSTRUCTION MANUAL WARRANTY CERTIFICATE*

This product is protected by the United States Federal and/or State Law including Patent, Trademark, and /or Copyright Laws.

© 2021 Minka Lighting Inc. Manual design and all elements of manual design are protected by United States Federal and/or State Law including Patent, Trademark and/or Copyright Laws.



The Minka-Aire® warranty is for one (1) year from the date of purchase from an authorized Minka-Aire® dealer. This warranty is only valid to the original purchaser or user against all defects in material and workmanship (light bulbs excluded) for one (1) full year. Additionally, Minka-Aire® warrants the motor only for the lifetime of the Minka Aire ceiling fan (excluding wall controls and electrical components), to the original purchaser or user.

- \* The warranty is voided with the use of any non- Minka-Aire® electrical devices, e.g., wall controls or electrical dimmer switches, etc...
- \* The warranty is void once the original purchaser or user ceases to own the fan or the fan is moved from its original point of installation.
- \* The warranty is void with the use of any hanger bracket (non-Minka Aire or non-fan specific) other than the hanger bracket supplied & installed with this specific fan.

## Warranty Service Information

To obtain warranty service during the warranty period, the purchaser should return the fan with the sales receipt to the original place of purchase. The authorized Minka-Aire® dealer, at its sole discretion, will either repair or replace the fan after verifying the legitimacy of the warranty claim. Replacement is subject to availability of the same model. If the model is unavailable it will be replaced by one of equal value. This is a limited warranty; the original purchaser or user is responsible for the cost of removal and reinstallation of repaired or replacement product.

To obtain the name of the Minka-Aire® authorized dealer nearest you call the Minka-Aire® customer care department at 1-800-307-3267, or contact Minka-Aire® through [www.minkagroup.net](http://www.minkagroup.net) and select FAQ to answer any questions or if you require additional assistance submit the question form found there.

Date Purchased \_\_\_\_\_

Store Purchased \_\_\_\_\_

Model Number       F845

# CONTENTS

SAFETY RULES .....	1	FINISHING THE INSTALLATION .....	7
PACKAGE CONTENTS .....	2	INSTALLING THE 16W LED ASSEMBLY .....	8
INSTALLING THE FAN .....	3	OPERATING THE REMOTE CONTROL/WALL CONTROL .....	9
BLADE INSTALLATION .....	4	CARE OF YOUR FAN .....	10
HANGING THE FAN .....	5	TROUBLESHOOTING .....	11
ELECTRICAL CONNECTIONS .....	6	SPECIFICATIONS .....	12



1151 W. Bradford Court, Corona, CA 92882 • For Customer Assistance Call: 1-800-307-3267



# 1

## ***SAFETY RULES***

1. Before you begin installing the fan, shut power off the circuit breaker of the fuse box.
2. Be cautious! Read all instructions and safety information before installing your new fan. Review accompanying assembly diagrams.
3. Make sure that all electrical connections comply with local codes, ordinance, or National Electrical Codes, ANSI/NFPA 70. Hire a qualified electrician or consult a do-it-your self wiring handbook if you are unfamiliar with installing electrical wiring.
4. Make sure the installation site you choose allows the fan blades to rotate without any obstructions. Allow a minimum clearance of 7 feet from the floor and 18 inches from the top of the blades to the wall.
5. If you are mounting the fan to a ceiling fan outlet box, use a U.L Listed metal octagonal outlet box marked "Acceptable For Fan Support". Secure the box directly to the building structure. The outlet box and its support must be able to support the moving weight of the fan (at least 50 pounds). Do not use a plastic box.
6. Caution: To reduce the risk of injury use only the screws provided with the outlet box in conjunction with the lock washers provided with the fan.
7. If you are mounting the fan to a joist, make sure it is able to support the moving weight of the fan (at least 50 pounds).
8. After you install the fan, make sure that all mounting components are secured to prevent the fan from falling.
9. Do not insert anything into the fan blades while the fan is operating.
10. Turn the fan off and wait for the blades to stop completely before performing any maintenance or cleaning.

**NOTE:** The important safeguards and instructions appearing in this manual are not meant to cover all possible conditions and situations that may occur. It must be understood that common sense, caution and care are factors which cannot be built into this product. These factors must be supplied by the person(s) installing, caring for and operating the unit.

**NOTE: READ AND SAVE ALL INSTRUCTIONS!**

**WARNING**

**TO REDUCE THE RISK OF FIRE, ELECTRIC SHOCK OR OTHER PERSONAL INJURY, MOUNT FAN ONLY TO A U.L LISTED OUTLET BOX OR SUPPORTING SYSTEM MARKED ACCEPTABLE FOR FAN SUPPORT AND USE MOUNTING SCREWS PROVIDED WITH THE OUTLET BOX IN CONJUNCTION WITH THE LOCK WASHERS PROVIDED WITH THE FAN. MOST OUTLET BOXS COMMONLY USED FOR THE SUPPORT OF LIGHTING FIXTURES ARE NOT ACCEPTABLE FOR FAN SUPPORT AND MAY NEED TO BE REPLACED. CONSULT A QUALIFIED ELECTRICIAN IF IN DOUBT.**

**TO REDUCE THE RISK OF PERSONAL INJURY, DO NOT BEND THE BLADE HOLDERS WHILE INSTALLING, BALANCING THE BLADES OR CLEANING THE FAN. DO NOT INSERT FOREIGN OBJECTS BETWEEN ROTATING FAN BLADES.**

**TO REDUCE THE RISK OF FIRE OR ELECTRIC SHOCK, THIS FAN ONLY CAN USE DL-1167RYS-02 SOLID-STATE SPEED CONTROL WITH DL-4111G-01 REMOTE CONTROL ONLY.**

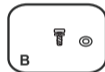
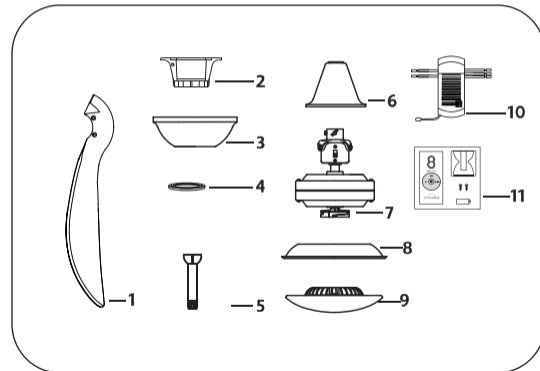
## 2

# PACKAGE CONTENTS

Unpack your fan and check the contents. You should have the following items:

1. Fan blades(3)
2. Hanger bracket
3. Canopy
4. Canopy cover
5. Standard downrod assembly(6")
6. Coupling cover
7. Fan motor/housing assembly
8. Flywheel
9. 16W LED assembly
10. Receiver with 6 wire nuts
11. Transmitter+holder+2 mounting screws + A23 12 volt battery

- A. Mounting hardware:  
 Wire nuts(3)  
 #8x3/4" Machine screws (2)  
 #10x1.5" Wood screws (2)  
 4mm Star washers (2)  
 Metal washers (2)  
 Lock washers (2)
- B. Blade attachment hardware:  
 1/4"x15.8mm screws with lock washers (6 + 1 spare)  
**Metal washers (6 + 1 spare)**
- C. Flywheel attachment hardware:  
 1/4"x9.5mm screws with lock washers (5 + 1 spare)





# INSTALLING THE FAN

Tools Required: Philips screw driver, slotted screw driver, step-ladder, wire cutters, electrical tape.

## MOUNTING OPTIONS

If there isn't an existing mounting box, then read the following instructions. Disconnect the power by removing fuses or turning off circuit breakers.

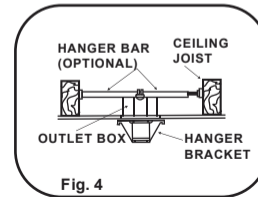
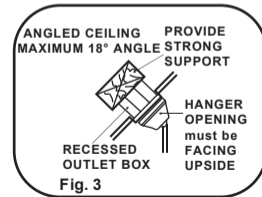
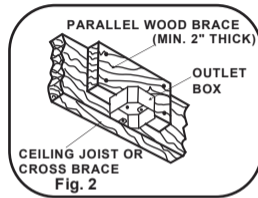
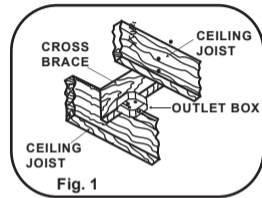
Secure the outlet box directly to the building structure. Use appropriate fasteners and building materials. The outlet box and its support must be able to fully support the moving weight of the fan (at least 50 lbs.). Use a UL listed metal outlet box.

Do not use a plastic outlet box.

Figure 1, 2 and 3 are examples of different ways to mount the outlet box.

Note: You may need a longer downrod to maintain proper blade clearance when installing on a steep, sloped ceiling. Longer downrods are available from your Minka-Aire® dealer.

To hang your fan where there is an existing fixture but no ceiling joist, you may need to install a hanger bar as shown in Fig. 4 (available at your Minka Aire® dealer or local hardware store).



## 4

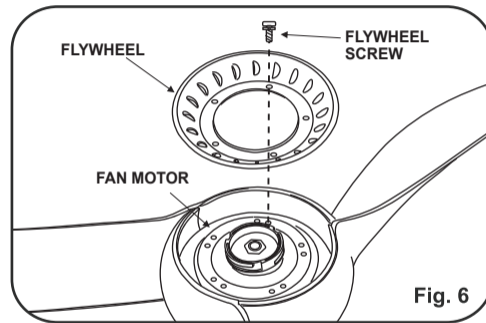
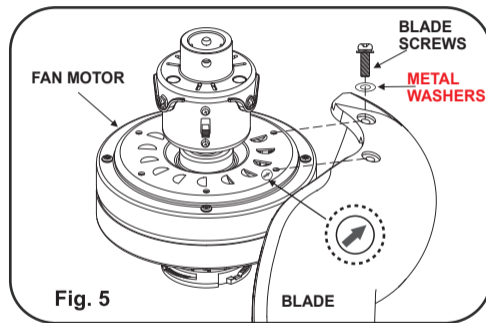
## BLADE INSTALLATION

Step 1. Pay attention to the arrow label on the fan motor. Start from this label and align the two holes on the blade to the two holes on the fan motor.

**Secure blade with 2 blade screws and 2 metal washers provided.** Follow the same process for the remaining two blades. (Fig. 5)

All blade sets are grouped together by weight.

Step 2. Align holes in the flywheel and the fan motor assembly, and secure with the five flywheel screws. Ensure all the screws are tightened. (Fig. 6)



## ***HANGING THE FAN***

5

**WARNING:** All of the parts, hardware and components such as the hanger bracket and hanger ball have been provided for your safety and the proper installation of your new ceiling fan. The use of other parts, hardware or components not supplied by Minka Aire® with the fan will void the Minka Aire® Warranty.

**REMEMBER** to turn off the power. Follow the steps below to hang your fan properly:

**Step 1.** Secure the hanger bracket to the ceiling outlet box using screws and washers included with mounting hardware.(Fig.7)

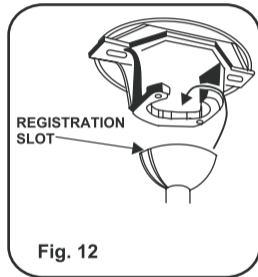
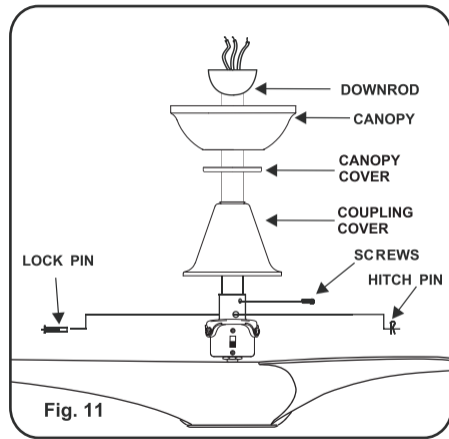
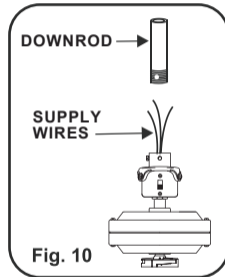
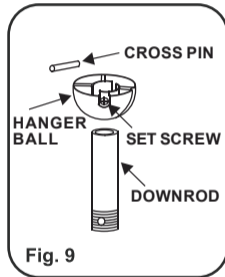
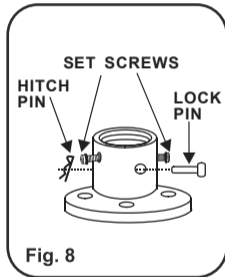
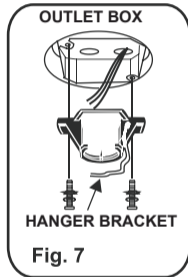
**Step 2.** Loosen the two set screws and remove the hitch pin and lock pin from the top coupling of the motor assembly.(Fig. 8)

**Step 3.** Remove hanger ball from downrod assembly by loosening set screw, removing the cross pin, and sliding ball off rod.(Fig. 9)

**Step 4.** Carefully feed fan wires up through the downrod(Fig 10). Thread the rod into the coupling, next line up holes and replace lock pin and hitch pin. Tighten set screws.

**Step 5.** Slip coupling cover, canopy cover, and canopy onto downrod (Fig.11). Carefully reinstall hanger ball onto rod being sure that cross pin is in the correct position, set screws are tighten and wires are not twisted.

**Step 6.** Now lift motor assembly into position and place hanger ball into hanger bracket. Rotate until the check groove has dropped into the registration slot and seats firmly.(Fig 12)Rod should not rotate if this is done correctly.



## ***ELECTRICAL CONNECTIONS***

**WARNING:** To avoid possible electrical shock be sure electricity is turned off at the main fuse or breaker box before wiring.

**NOTE:** The Aire Control<sup>®</sup> System is equipped with a learning frequency function which has 256 code combinations to prevent potential interference from other remote units. The frequency on your Receiver and Transmitter units have been preset at the factory. (Fig.13)

No frequency change is necessary, should you desire to install another fan within the same home or area with a separate frequency code please see the "frequency interference" troubleshooting section of this instruction manual to learn how to change the frequency.

**Step 1.** Insert Receiver into Hanger Bracket with the flat side of the Receiver facing the ceiling. (Fig.14)

**Step 2. Motor to Receiver Electrical Connections:** Connect the WHITE wire from the fan to the WHITE wire marked "TO MOTOR N" from the Receiver. Connect the BLACK wire from the fan to the BLACK wire marked "TO MOTOR L" from the Receiver. Connect the BLUE wire from the fan to the BLUE wire marked "For Light" from the Receiver.

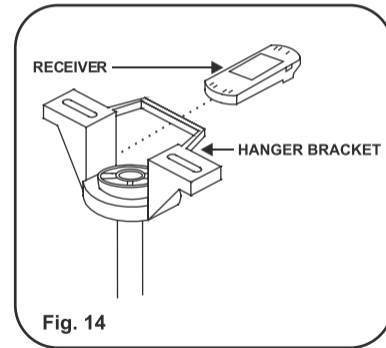
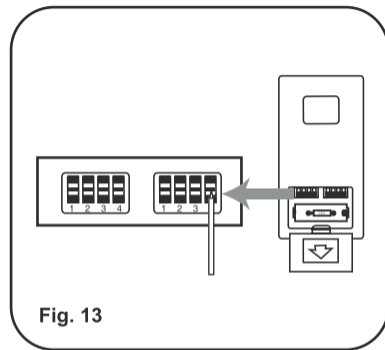
**NOTE:** If your ceiling fan features an UP Light: Connect the ORANGE wire from the fan to the ORANGE wire marked "For Up Light" from the Receiver. Otherwise disregard this step and proceed to secure all wire connections with the plastic wire nuts provided. (Fig.15)

**Note:** Fan must be installed from a maximum distance of 40 feet from the transmitting unit for proper signal transmission between the transmitting unit and the fan's receiving unit.

**Step 3. Receiver to House Supply Wires Electrical connections:** Connect the **WHITE** wire(Neutral) from the outlet box to the **WHITE** wire marked "AC in N" from the receiver. Connect the **BLACK** wire(Hot) from the outlet box to the **BLACK** wire marked "AC in L" from the receiver. Secure all wire connections with the plastic wire nuts provided.(Fig.15)

**Step 4.**If your outlet box has a **GROUND** wire (Green or Bare Copper) connect this wire to the Hanger Ball and Hanger Bracket Ground wires. If your outlet box does not have a Ground Wire, then connect the Hanger Ball and Hanger Bracket Ground Wire together. Secure wire connection with the plastic wire nut provided.(Fig. 15)

After all splices are made, check to make sure there are no loose strands. As an additional precaution we suggest to secure the plastic wire connectors to the wires with electrical tape.



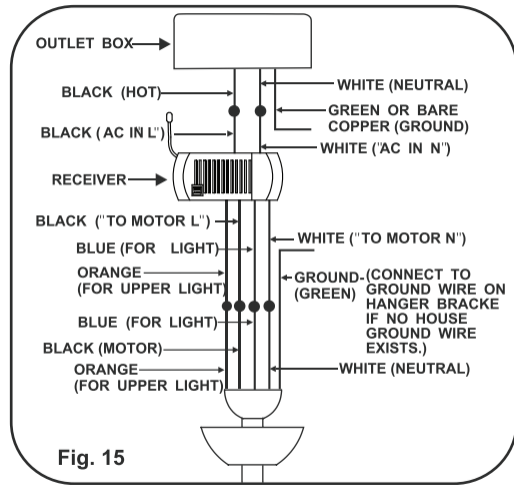


Fig. 15

## 7

***FINISHING THE INSTALLATION***

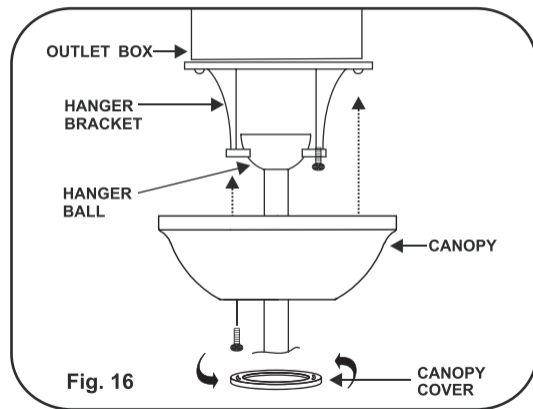
Step 1. Tuck connections neatly into ceiling outlet box.

Step 2. Remove one screw from the hanger bracket and loosen the other screw around 1/4".

Step 3. Align the canopy up to ceiling and over the loose screw. Place the canopy into key hole and rotate canopy clockwise. (Figure 16)

Step 4. Secure the canopy by use previous removed screw.

Step 5. Place the canopy cover to the canopy and rotate canopy cover clockwise until it is locked into right position. (Figure 16)



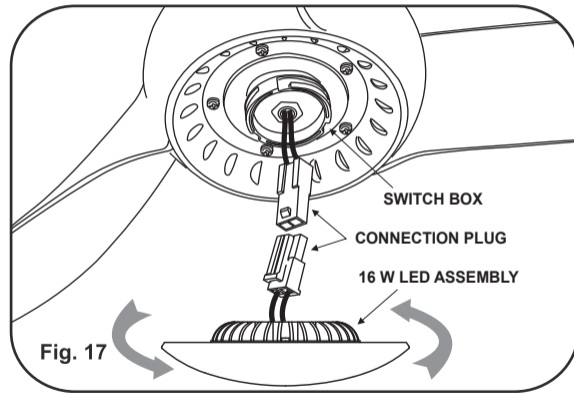


## INSTALLING THE 16W LED ASSEMBLY

Step 1. While holding the 16 W LED assembly under your fan, firmly snap the wire connection plugs together. (Fig.17)

Step 2. Attach the 16 W LED assembly to the switch box by twisting tightly. (Fig.17)

Note: This is a integrated LED light kit assembly and can not be disassembled to prevent electronic shock.



## OPERATING THE REMOTE CONTROL/WALL CONTROL

Remote Control only: Install a A23 12volt battery (included). To prevent damage to transmitter remove the battery if not used for long periods of time.

Restore Power to Ceiling Fan.

A. ● ● ● Buttons:

These buttons are used to set the fan speeds as follows;

● = Low Speed

● ● = Medium Speed

● ● ● = High Speed

B. ■ Button:

This button turns the fan off.



C. Button:

These buttons turn the light ON or OFF and also control the brightness settings of the light. The following

instructions apply to ceiling fans that feature a DOWN light (● button) only or ceiling fans that feature an UP light (○ button) and a DOWN light (● button) that are controlled independent of each other;

Press and release the button for the desired light to turn the light ON or OFF. Press and hold the button to set the desired light brightness. The light will cycle between bright and dim settings as long as the button is pressed. The light key has an automatic auto-resume feature that allows the light to remain at the same brightness as the last time it was turned off.

D. OFF-ON Slide Button (Wall Control Fans Only)

This button turns the power Off and On to the Fan and Light(s).



E. Button: (Full Function Remote Control Units Only)

This button is used to change the direction of the rotation of the blades; forward for warm weather or reverse for cool weather.

NOTE: If your Remote Control or Wall Control does not have a "↻" button, Please look for a slide reverse switch on the switch housing.

Speed settings for warm or cool weather depend on factors such as the room size, ceiling height, number of fans, etc.

The Reverse switch is located on the coupling. Slide the switch to the down for warm weather operation. Slide the switch to the up for cool weather operation.(Fig. 18)

NOTE: Wait for fan to stop before changing the setting of the slide switch.

Warm Weather(forward)

A DOWNWARD airflow creates a cooling effect as shown in Figure 19. This allows you to set your air conditioner on a warmer setting without affecting your comfort.

Cool Weather(Reverse)

An UPWARD airflow moves warmer air off the ceiling area as shown in Figure 20. This allows you to set your heating unit on a cooler setting without affecting your comfort.

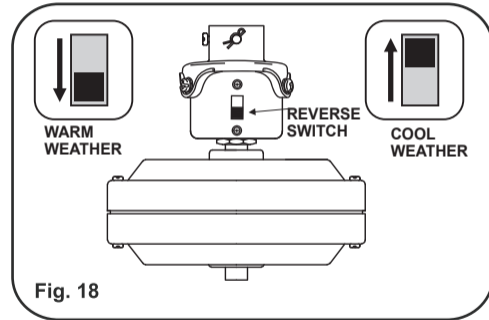
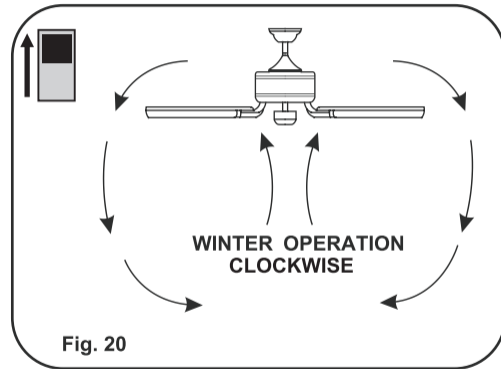
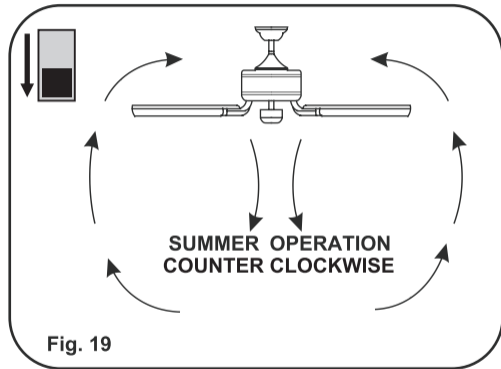


Fig. 18



## CARE OF YOUR FAN

10

Here are some suggestions to help maintain your fan.

1. Because of the fan's natural movement some connections may become loose. Check the support connections, brackets and blade attachment twice a year. Make sure they are secure. (It is not necessary to remove fan from the ceiling).

2. Clean your fan periodically to help maintain its new appearance over the years. Use only a soft brush or lint free cloth to avoid scratching the finish. Plated finishes are sealed with lacquer to minimize discoloration or tarnishing.

Do not use water when cleaning, this could damage the motor, wood blades or possibly cause an electrical shock.

3. Use a lint free lightly damp cloth or duster to remove dust from the blades.

4. There is no need to oil your fan. The motor has permanently lubricated bearings.

5. If your fan is provided with glass shades, clean with lukewarm soapy water and a soft cloth or sponge. **DO NOT IMMERSE GLASS SHADES IN HOT WATER. DO NOT PUT GLASS SHADES INTO AN AUTOMATIC DISHWASHER.**

**WARNING**  
**MAKE SURE THE POWER IS OFF AT THE ELECTRICAL PANEL BOX BEFORE YOU ATTEMPT ANY REPAIRS. REFER TO THE SECTION "ELECTRICAL CONNECTIONS".**

## ***TROUBLESHOOTING***

### **SYMPTOM**

Fan will not start

### **SOLUTION**

- Check to make sure the wall switch is turned on.
- Check circuit fuses or breakers.
- Caution! Make sure the power is turned off before performing the following steps.
- Remove canopy and check wire connections.
- Check wall control transmitter connections(if applicable).
- Note:fan must be installed at a maximum distance of 40 feet from the transmitting unit for proper signal transmission between the transmitting unit and the fan's receiving unit.

### **SYMPTOM**

Fan Sounds Noisy

### **SOLUTION**

- Allow a 24 - hour "break in " period. Most noises associated with a new fan will go away during this time.
- Make sure the screws that attach the fan blade holder to the motor hub is tight.
- Make sure outlet box is secured to building structure, if necessary use the wood screws provided to further secure outlet box to joist.
- Make sure hanger bracket is secure to the outlet box,screws are tight.

#### SYMPTOM

Fan Wobble

#### SOLUTION

- NOTE: All blade sets are grouped by weight. Because wood and plastic blades vary in density, the fan may wobble even though blades are matched.
- Make sure outlet box is secured to building structure, if necessary use the wood screws provided to further secure outlet box to joist.
- Make sure hanger bracket is secure to the outlet box, screws are tight.
- If a Balancing kit is provided follow the instructions included with the balancing kit to help correct any excessive wobble.

#### SYMPTOM

Fans/Light Turn on and Off Unexpectedly

#### SOLUTION

- This is caused by interference. Please see "frequency interference" for step to change the frequency.

## SYMPTOM

Frequency Interference

## SOLUTION

1. Turn the power off to your ceiling fan.
2. Please use a small size tool to change the frequency settings on the control system.
3. Return power to the unit.

Note: After the AC power is on, do not press any other button on the transmitter before pressing the "Stop" button, doing so will cause the procedure to fail.

4. Within 60 seconds of turning the fan's AC power ON. Press the transmitter's "Stop" button and hold the "Stop" button for 10 seconds.
5. Once the receiver has detected the set frequency, the down light of your fan will blink twice and the fan will begin to rotate for a short period and then shut off.
6. The receiver has now learned the frequency which has been selected on the transmitter. After completing the steps above, you should be able to operate the ceiling fan and light. If the fan is not responding to the transmitter, please turn the power off to the receiver, and repeat the process.



# SPECIFICATIONS

12

These are typical readings. Your actual fan may vary. They do not include amps and wattage used by the light (s).

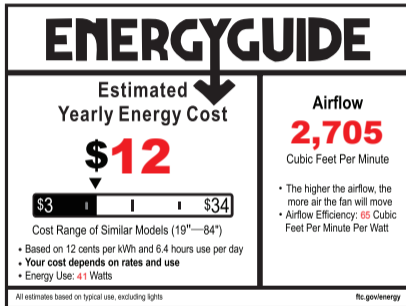
For any additional information about your Minka Aire® Ceiling fan, please write to:

Fan Size	Speed	Volts	Amps	Watts	RPM	N.W.	G.W.	C.F.
44"	Low	120	0.28	16.63	94	5.87	8.6	2.155'
	High	120	0.51	60.61	193	kgs	kgs	



1151 W. Bradford Court, Corona, CA 92882 • For Customer Assistance Call: 1-800-307-3267

## PERFORMANCE AND ENERGY INFORMATION



FAN SPEED	AIRFLOW (CFM)*	POWER USE (watts)	AIRFLOW EFFICIENCY (CFM/watt)
Low	1,599	16.63	96
High	3,673	60.61	60

**Ceiling fan airflow is measured in cubic feet per minute (CFM). Power use is measured in watts. To maximize energy savings:**

- Choose a fan with high airflow efficiency (CFM/watt).
- Use ENERGY STAR®-labeled lighting in your fan.
- Remember to switch off your fan when you leave the room.

\* Measured according to the ENERGY STAR® approved Solid State test method

*For any additional information about your Minka Aire® Ceiling fan, please write to:*

**minkaAire**® 1151 W. Bradford Court, Corona, CA 92882  
A Minka Group® Co.

- For Customer Assistance Call: 1-800-307-3267