

INSTALLATION INSTRUCTIONS

Item#N7528-716-L (New. 2022/05/19)

READ AND SAVE THESE INSTRUCTIONS

WARNING! SHUT POWER OFF AT FUSE OR CIRCUIT BREAKER.

AVERTISSEMENT! COUPER LE COURANT AU NIVEAU DES FUSIBLES OU DU DISJONCTEUR.

PREPARATION (Fig. 1)

1. Shut off power at the fuse box or circuit breaker box and remove the old fixture including the mounting hardware.
2. Carefully unpack your new fixture and lay out all the parts in a clean area. Take care not to misplace any small parts necessary for installation.

ASSEMBLING THE FIXTURE (Fig. 1)

3. Loosen hex nuts (D) on canopy (H) with wrench (J) (Not included), take apart metal washer (E), lock washer (L), canopy, metal plate (I) and rods (Q).
4. Determine desired hanging height and thread rods (F1, F2 and F3) to all thread (S) of fixture body. Carefully pass wires through each rod during assembly. Secure swivels (G) onto rods (F1).
5. Align metal bar (N) onto swivels (G) and secure with rods (Q).
6. Align metal plate (I) and canopy (H) followed by lock washer (L) and metal washer (E) onto all thread (M) and secure with hex nuts (D) using wrench (J) (Not included).
7. Position mounting plate (A) on ceiling and mark location of the two drywall anchors (K). Pre-drill holes for drywall anchors (K). Then insert drywall anchors (K) into ceiling.
8. Attach mounting plate (A) to junction box (Not included) using mounting screws (B) (Size: #8-32N*L0.5") and wood screws (O) into drywall anchors (K). The side of mounting plate marked "GND" must face out.
9. The support cable is provided to support weight of fixture while wiring. Align fixture to mounting plate (A) and attach hook (P) on the end of support cable (O) into a slot located on mounting plate (A). Carefully allow support cable (O) to support weight of fixture while wiring.

CONNECTING THE WIRES (Fig. 2)

10. Connect the electrical wires as shown in Fig. 2, making sure that all wire connectors are secured. If your junction box has a ground wire (green or bare copper), connect fixture's ground wire to it. Otherwise, connect fixture's ground wire directly to mounting plate using green screw provided.
11. Tuck wire connections neatly into junction box.

COMPLETING THE INSTALLATION (Fig. 1)

12. Place canopy (H) over mounting plate (A) and secure with screws (C).

Your installation is now complete. Return power to the junction box and test the fixture.

Note: Illustration (Fig. 1) on this manual is for installation purposes only. It may or may not be identical to the fixture purchased.

Dimmable with ELV and/or LED compatible wall dimmer switches.

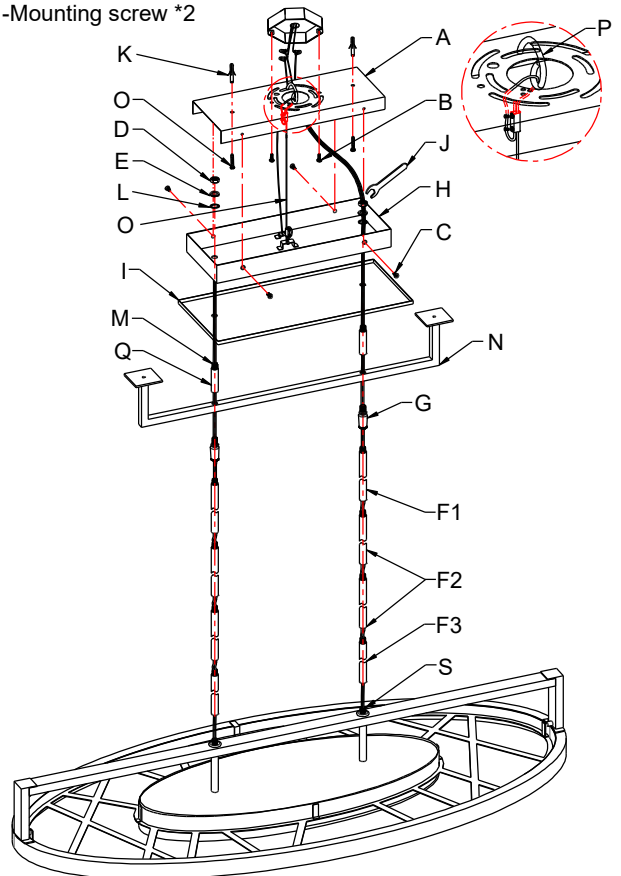
Fig. 1

Set# A-021-310120

-Mounting plate

-Ground screw

-Mounting screw *2



Rod# W30-1-172 *2 (F1)

W30-1-172 *4 (F2)

W30-H-172 *2 (F3)

Fig. 2

