

INSTALLATION INSTRUCTIONS

Item#N7383-613 (New. 2022/05/15)

(Convertible lamps for pendant)

READ AND SAVE THESE INSTRUCTIONS

WARNING! SHUT POWER OFF AT FUSE OR CIRCUIT BREAKER.

AVERTISSEMENT! COUPER LE COURANT AU NIVEAU DES FUSIBLES OU DU DISJONCTEUR.

ASSEMBLING THE FIXTURE (Fig. 1)

1. Shut off the power at the circuit breaker and remove the old fixture, including the mounting hardware.
2. Carefully unpack your new fixture and lay out all the parts on a clean area. Take care not to lose any small parts necessary for installation.
3. Secure rod (L) to fixture body (K) using screws (J). Then place larger cloth shade (H) onto fixture body (K) and secure with screws (I).
4. Determine desired hanging height and thread rods (F1,F2,F3) to all thread (G) on fixture body (K). Attach canopy (D) by threading onto rod (F1). Carefully pass wires through each rod during assembly. Note: Remove all thread, if installing with one 6" rod only.
5. Attach mounting plate (A) to junction box (not included) using mounting screws (B) (Size: #8-32N*L0.5"). The side of mounting plate marked "GND" and two convex points must face out.

CONNECTING THE WIRES (Fig. 2)

6. Connect the electrical wires as shown in Fig.2, making sure that all wire connectors are secured. If your junction box has a ground wire (green or bare copper), connect fixture's ground wire to it. Otherwise, connect fixture's ground wire directly to mounting plate (A) using green screw provided.
7. Tuck wire connections neatly into junction box.

FINISHING THE INSTALLATION (Fig.1)

8. Place canopy (D) over mounting plate (A) and secure with screws (E).
9. Install (3) three medium base bulbs (M) up to 60 watts each or CFL or LED equivalent (not included) in accordance with the fixture specification—**DO NOT EXCEED THE MAXIMUM WATTAGE RATING! (NE PAS DEPASSER LA PUISSANCE NOMINALE MAXIMALE!**
10. Secure rod (W) into all thread (O). Then place lower cloth shade (Q) to fixture body (K) using screws (I).
11. Place glass shade (U) followed by metal washer (T) over bottom of rod (W). Then fasten with hex nut (N).
12. Place metal cover (S) over rod (W) and secure with finial (V).

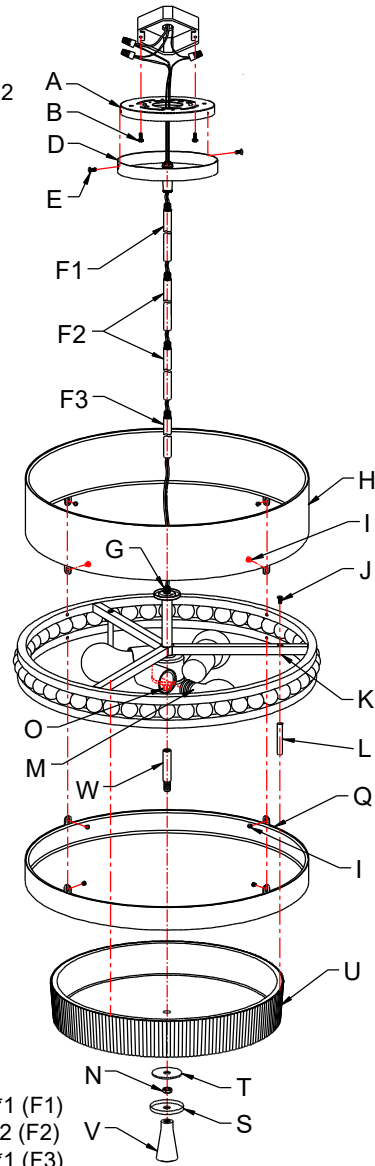
Your installation is now complete. Return power to the junction box and test the fixture.

Note: Illustration (Fig.1) on this manual is for installation purposes only. It may or may not be identical to the fixture purchased.

Fig. 1

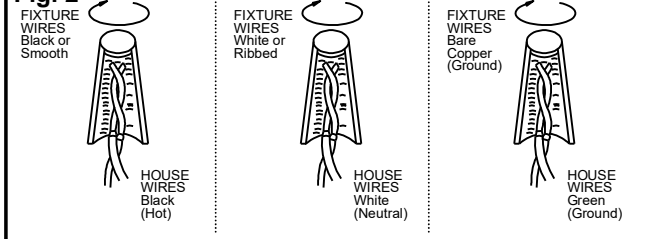
Set# A-021-143D

- Mounting plate
- Ground screw
- Mounting screw *2



- Rod# W35-1-613 *1 (F1)
- W35-1-613 *2 (F2)
- W35-H-613 *1 (F3)

Fig. 2



INSTALLATION INSTRUCTIONS

Item#N7383-613 (New. 2022/05/15)
(Convertible Lamps for SEMI Flush mount)
READ AND SAVE THESE INSTRUCTIONS

WARNING! SHUT POWER OFF AT FUSE OR CIRCUIT BREAKER.
AVERTISSEMENT! COUPER LE COURANT AU NIVEAU DES FUSIBLES OU DU DISJONCTEUR.

PREPARATION (Fig.3 & 4)

1. Loosen hex nut (P) by using wrench (C) (Not included). Carefully remove washer (R), lock washer (W), metal plate (W1), canopy (D) and swivel (S1). (Fig.4) Cut down length of wire if wire is too long.
2. Secure rod (Z) into all thread (G).
3. Thread tube (Y), metal cover (X), canopy (D), metal plate (W1), lock washer (W), washer (R) and hex nut (P) into all thread on top of rod (Z). Then secure hex nut (P) by using wrench (C) (Not included). (Fig. 3)
4. Secure rod (L) to fixture body (K) using screws (J). Then place large cloth shade (H) to fixture body (K) using screws (I).
5. Attach mounting plate (A) to junction box (not included) with mounting screws (B) (Size: #8-32N*L0.5"). The side of mounting plate (A) marked "GND" and two convex points must face out.

CONNECTING THE WIRES (Fig. 2)

6. Connect the electrical wires as shown in Fig 2, making sure that all wire connectors are secured. If your junction box has a ground wire (green or bare copper), connect fixture's ground wire to it. Otherwise, connect fixture's ground wire directly to mounting plate (A) using green screw provided.
7. Tuck wire connections neatly into junction box.

FINISHING THE INSTALLATION (Fig.3)

8. Slide canopy (D) over mounting plate (A) and secure with screws (E).
9. Install (3) three medium base bulbs (M) up to 60 watts each or CFL or LED equivalent (not included) in accordance with the fixture specification. — **DO NOT EXCEED THE MAXIMUM WATTAGE RATING! (NE PAS DEPASSER LA PUISSANCE NOMINALE MAXIMALE!)**.
10. Secure rod (W) into all thread (O). Then place lower cloth shade (Q) to fixture body (K) using screws (I).
11. Place glass shade (U) followed by metal washer (T) over bottom of rod (W). Then fasten with hex nut (N).
12. Place metal cover (S) over rod (W) and secure with finial (V).

Your installation is now complete. Return power to the junction box and test the fixture.

Note: Illustration (Fig. 3) on this manual is for installation purposes only. It may or may not be identical to the fixture purchased.

Fig. 3

Set# A-021-143D
-Mounting plate
-Ground screw
-Mounting screw *2

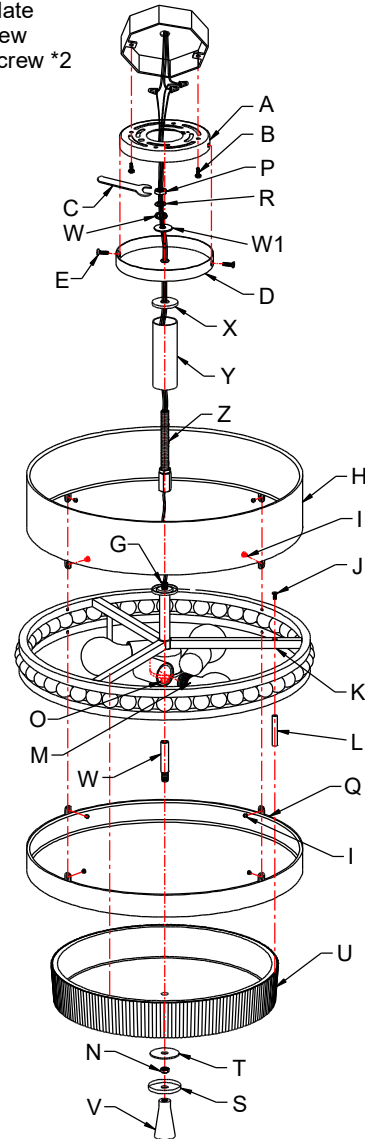


Fig. 4

