

INSTALLATION INSTRUCTIONS

For Item#N7675-695-L (New. 2023/03/25)

READ AND SAVE THESE INSTRUCTIONS

WARNING! SHUT POWER OFF AT FUSE OR CIRCUIT BREAKER.

AVERTISSEMENT! COUPER LE COURANT AU NIVEAU DES FUSIBLES OU DU DISJONCTEUR.

PREPARATION (Fig.1)

1. Shut off power at the fuse box or circuit breaker box and remove the old fixture including the mounting hardware.
2. Carefully unpack your new fixture and lay out all the parts in a clean area. Take care not to misplace any small parts necessary for installation.

ASSEMBLING THE FIXTURE (Fig. 1 & Fig. 2)

3. Place metal cover (H) over all thread (G).
4. Determine the desired hanging height and thread rods (F1, F2 and F3) to all thread (G) on fixture body. Attach canopy (D) by threading onto rod (F1). Carefully pass wires through each rod during assembly.
5. Position mounting plate (B) on ceiling and mark location of the four drywall anchors (A). Pre-drill holes for drywall anchors (A). Then insert drywall anchors (A) into ceiling.
6. Attach mounting plate (B) to junction box (Not included) with mounting screws (E) (Size: #8-32N*L0.5") and wood screws (N) into drywall anchors (A). The side of mounting plate (B) marked "GND" must face out.
7. Connect Red wire (marked output +) (J) on driver (C) to Red wire (marked LED +) on fixture. Connect Black wire (marked output -) (L) on driver (C) to Black wire (marked LED -) on fixture. Secure connections with small wire connector (M) and wrap connections with electrical tape for a more secure connection.
8. The support cable is provided to support weight of fixture while wiring. Align fixture to mounting plate (B) and attach hook (Q) on the end of support cable (R) to a slot located on mounting plate (B). Carefully allow support cable (R) to support weight of fixture while wiring.

CONNECTING THE WIRES (Fig. 3)

9. Connect electrical wires as shown in Fig 3, making sure that all wire connectors are secured. If your junction box has a ground wire (green or bare copper), connect the fixture's ground wire to it. Otherwise, connect the fixture's ground wire directly to mounting plate (B) using the green screw provided.
10. Tuck wire connectors neatly into the junction box.

COMPLETING THE INSTALLATION (Fig. 1)

11. Place canopy (D) over mounting plate (B) and secure with screws (O).
12. Adjust rings (P) to desired position.

Your installation is now complete. Return power to the junction box and test the fixture.

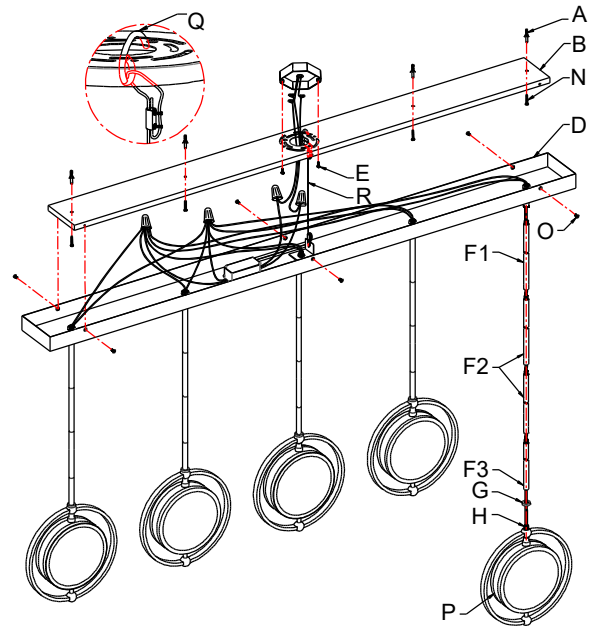
Note: Illustration (Fig. 1) on this manual is for installation purposes only. It may or may not be identical to the fixture purchased.

Dimmable with ELV and/or LED compatible wall dimmer switches.

Fig. 1

Set#A-021-1380118

- Mounting Plate
- Ground Screw
- Mounting Screw *2



Rod# W30-1-695 *5 (F1)

W30-1-695 *10 (F2)

W30-H-695 *5 (F3)

Fig.2

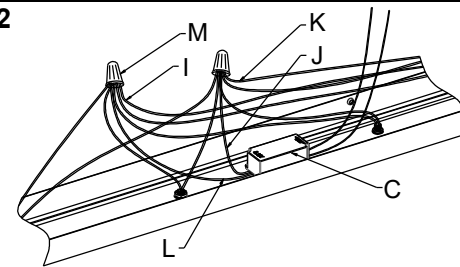
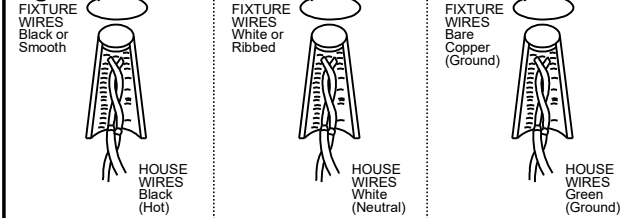


Fig. 3



Intertek

american lighting association

LA-3667E

