

INSTALLATION INSTRUCTIONS

Item#N7812-726 (New. 2022/05/05)

READ AND SAVE THESE INSTRUCTIONS

WARNING! SHUT POWER OFF AT FUSE OR CIRCUIT BREAKER.

AVERTISSEMENT! COUPER LE COURANT AU NIVEAU DES FUSIBLES OU DU DISJONCTEUR.

MOUNTING THE FIXTURE (Fig.1)

1. Shut off power at the fuse box or circuit breaker box and remove old fixture including the mounting hardware.
2. Carefully unpack your new fixture and lay out all the parts in a clear area. Take care not to misplace any small parts necessary for installation.
3. Loosen screws (D) to remove mounting plate (A) and metal mesh (E) from fixture body (C).
4. Attach mounting plate (A) to junction box (not included) with mounting screws (B). The side of mounting plate (A) marked "GND" must face out.
5. Install glass panel (J) into metal frame (H) and secure with tabs provided.
6. Place candle cover (F) over socket of fixture body (C).
7. Install (2) two candleabra base bulbs (G) up to 60 watts each or CFL or LED equivalent (not included) in accordance with the fixture specification. **—DO NOT EXCEED THE MAXIMUM WATTAGE RATING! (NE PAS DEPASSER LA PUISSANCE NOMINALE MAXIMALE!)**

CONNECTING THE WIRES (Fig. 2)

8. Connect electrical wires as shown in Fig. 2, making sure that all wire connectors are secured. If your junction box has a ground wire (green or bare copper), connect fixture's ground wire to it. Otherwise, connect the fixture's ground wire directly to mounting plate (A) using green screw provided.
9. Tuck wire connections neatly inside the junction box.

FINISHING THE INSTALLATION (Fig.1)

10. Place metal mesh (E) and fixture body (C) over mounting plate (A) and secure with screws (D).
11. Place glass assembly over fixture body (C) and secure with screws (I).

Your installation is now complete. Return power to the junction box and test fixture.

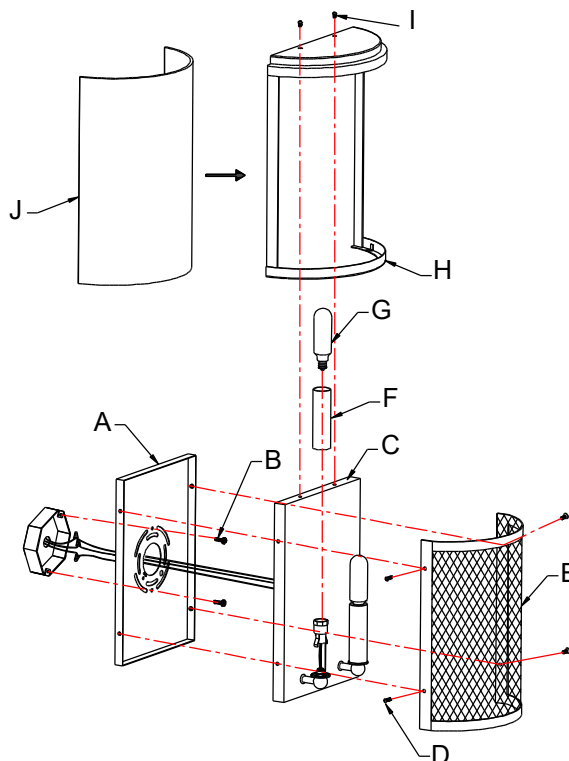
Note: Illustration (Fig.1) on this manual is for installation purposes only. It may or may not be identical to the fixture purchased.

MIN 90°C SUPPLY CONDUCTORS

Fig. 1

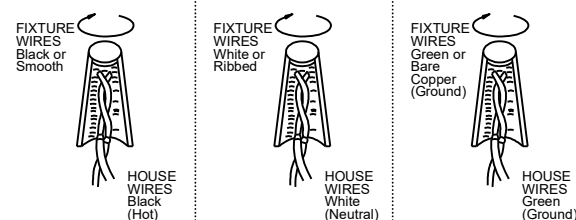
Set#A-021-188270

- Mounting plate
- Ground screw
- Mounting screw *2



Candle Cover# CCV24085P-695

Fig. 2



LA-3542E



american
lighting
associates