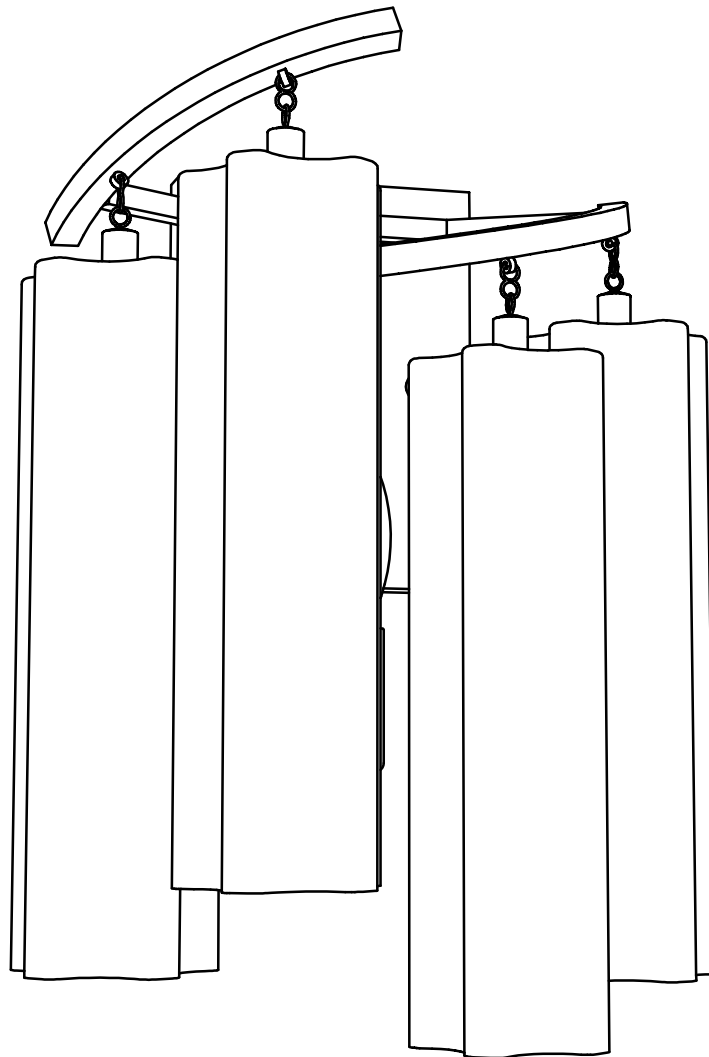




PRODUCT NAME: VICTORIA

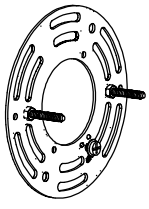
ITEM NUMBER: 39571WFLGS

Please consult your electrician for hanging fixture and wiring.

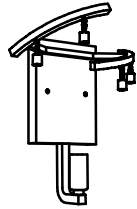


E12 1X60W

IMPORTANT: Turn off the power at the main fuse or circuit breaker box before starting installation.



Mounting Strap (A)



Body (B)

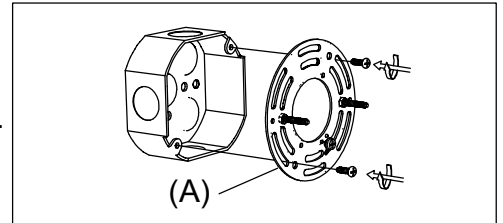
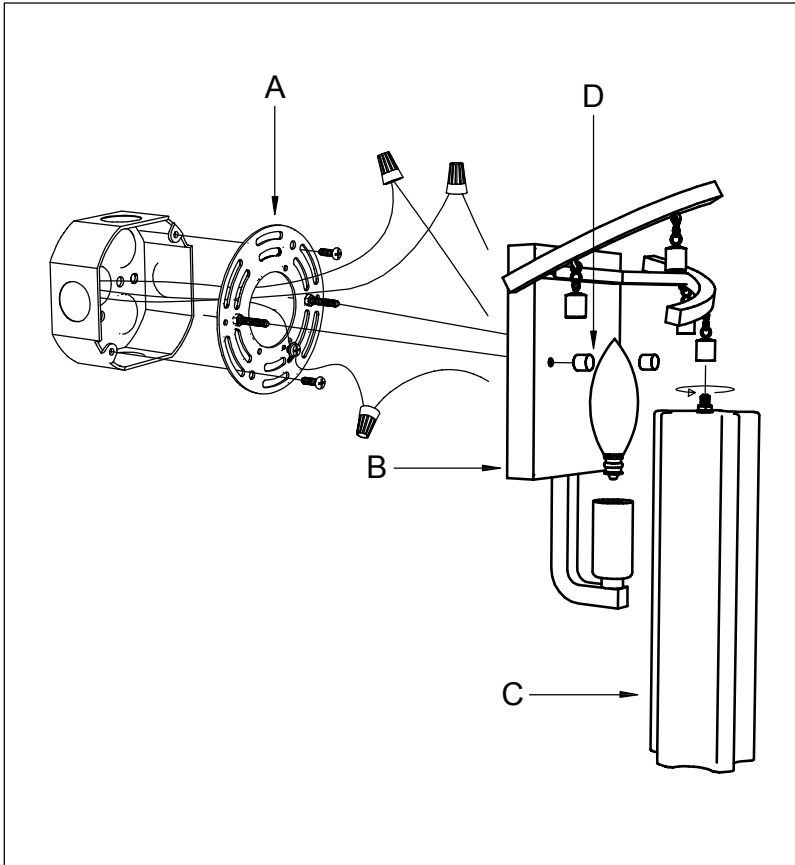


Glass (C)



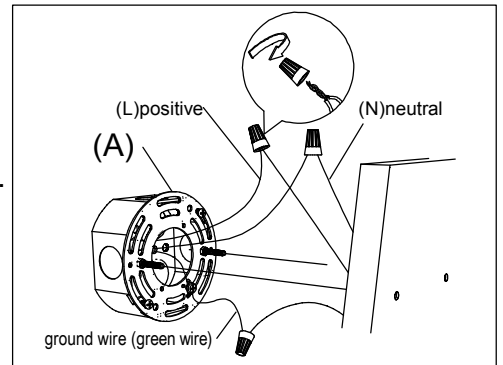
Nut (D)

Locate all hardware & components before discarding packaging



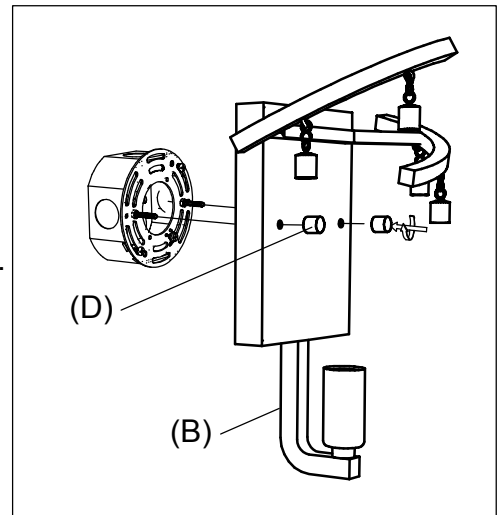
1).

Step.1: Remove mounting bracket (A) from fixture and install to electrical box.



2).

Step.2: Wire fixture to wires in outlet box. Green wire is for Ground.



3).

Step.3: Install body (B) to the outlet box and secure with nut(D). Screw glass (C) to the coupling. Install light bulb.

Cleaning & Care:

Clean with soft cloth and a mild detergent.
Do not use abrasive cleaner.