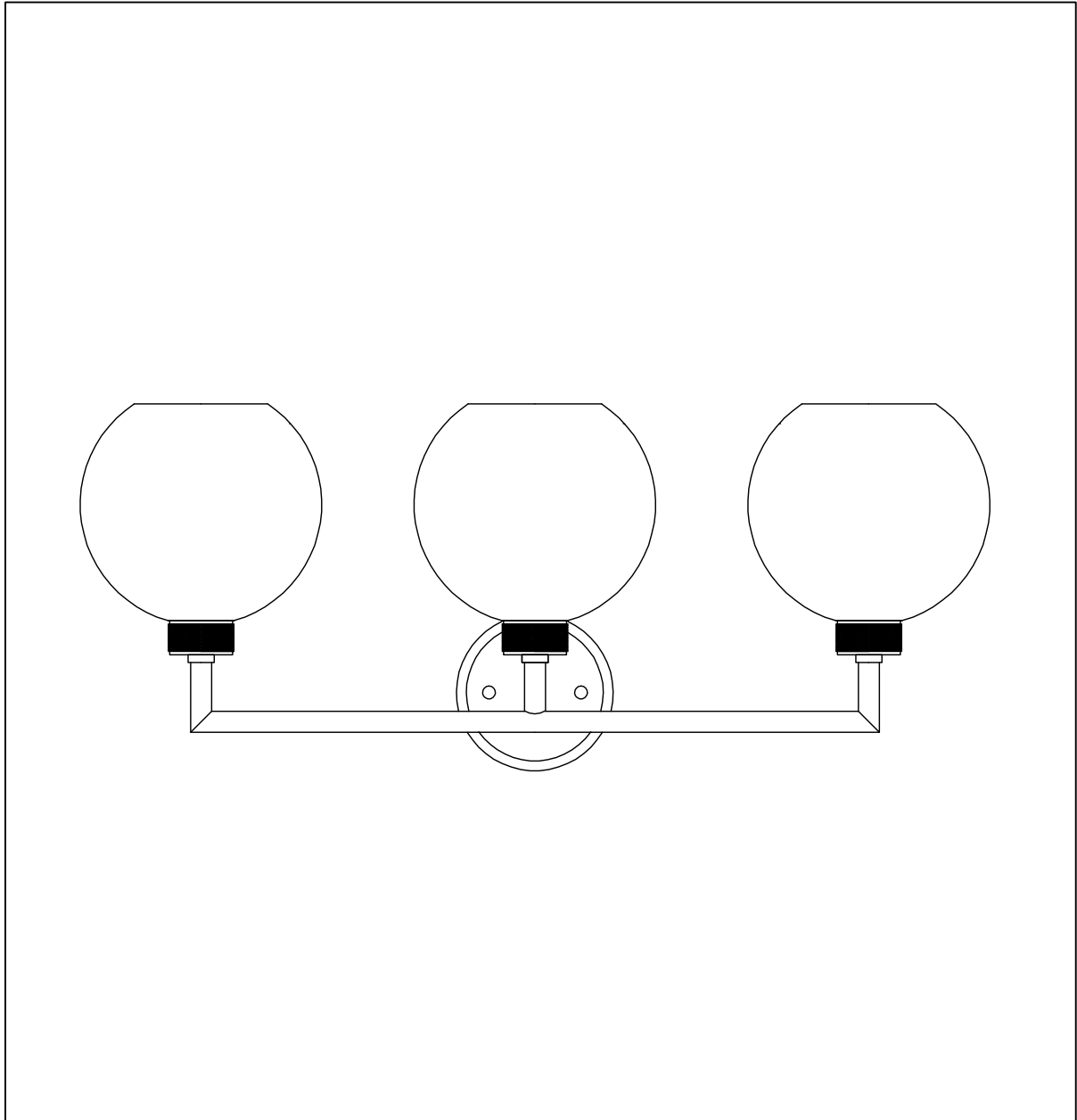




PRODUCT NAME: Vessel 3-Light bath vanity
ITEM NUMBER: 21613CLBKAL

Please consult your electrician for hanging fixture and wiring.



Bulb(not included):3-60 Watt Medium Base Bulbs

IMPORTANT: Turn off the power at the main fuse or circuit breaker box before starting installation

A
Mounting Bracket(1pc)



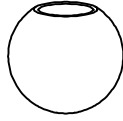
B
Screw(2pcs)



C
Finial(2pcs)



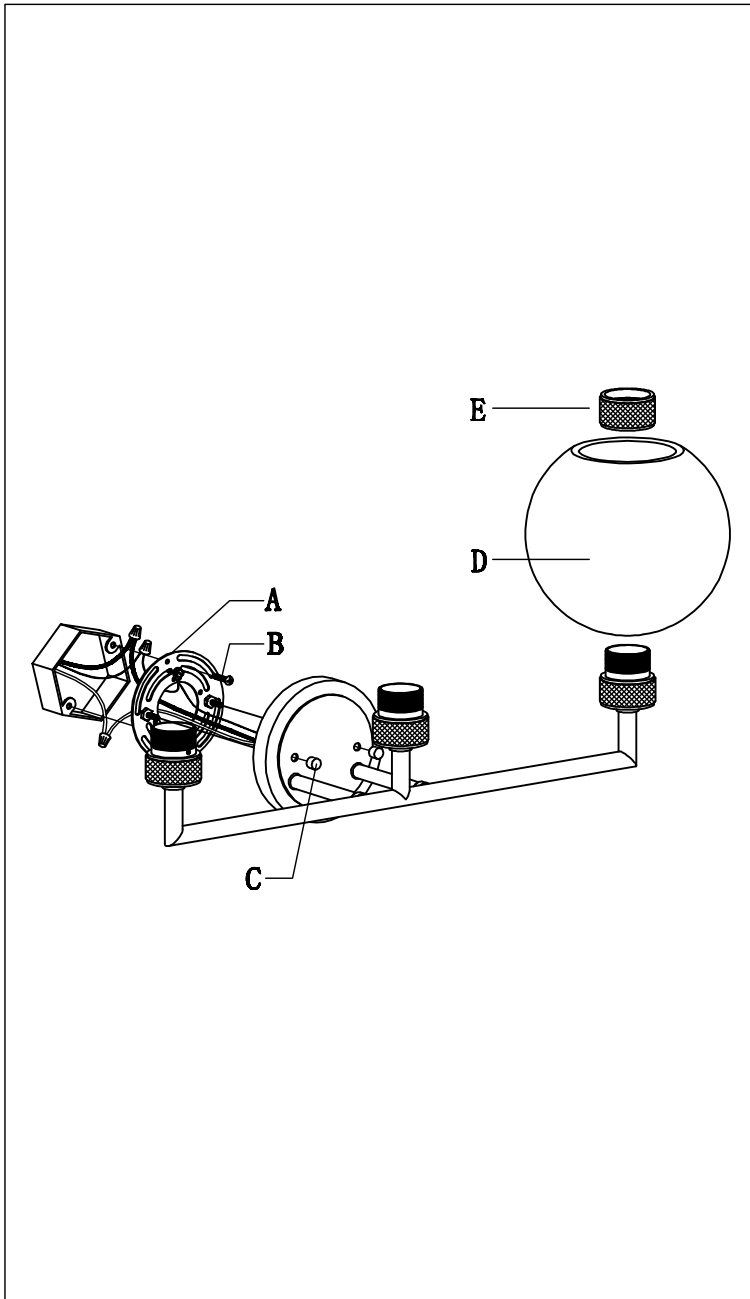
D
Glass (3pcs)



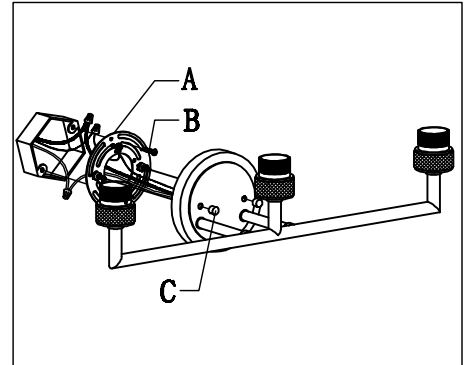
E
Socket ring (3pcs)



Locate all hardware & components before discarding packaging

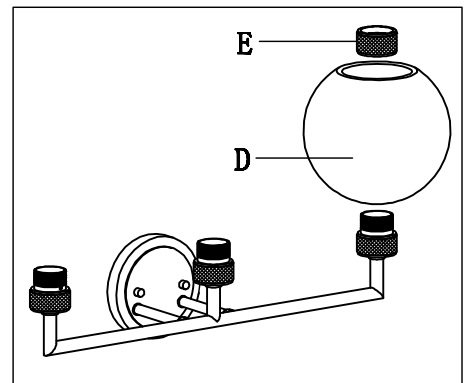


1.)



Step 1: Remove mounting bracket (A) from fixture and install to electrical box. Then wire fixture to wires in outlet box. Copper wire is for Ground. Attach back plate to mounting bracket(A) and screws (B), then tighten by finial(C), so fixture meets wall.

2.)



Step 2. Attached the glass(D) on the socket then secure by socket ring(E).

Cleaning & Care:

Clean with soft cloth and a mild detergent.
Do not use abrasive cleaner.