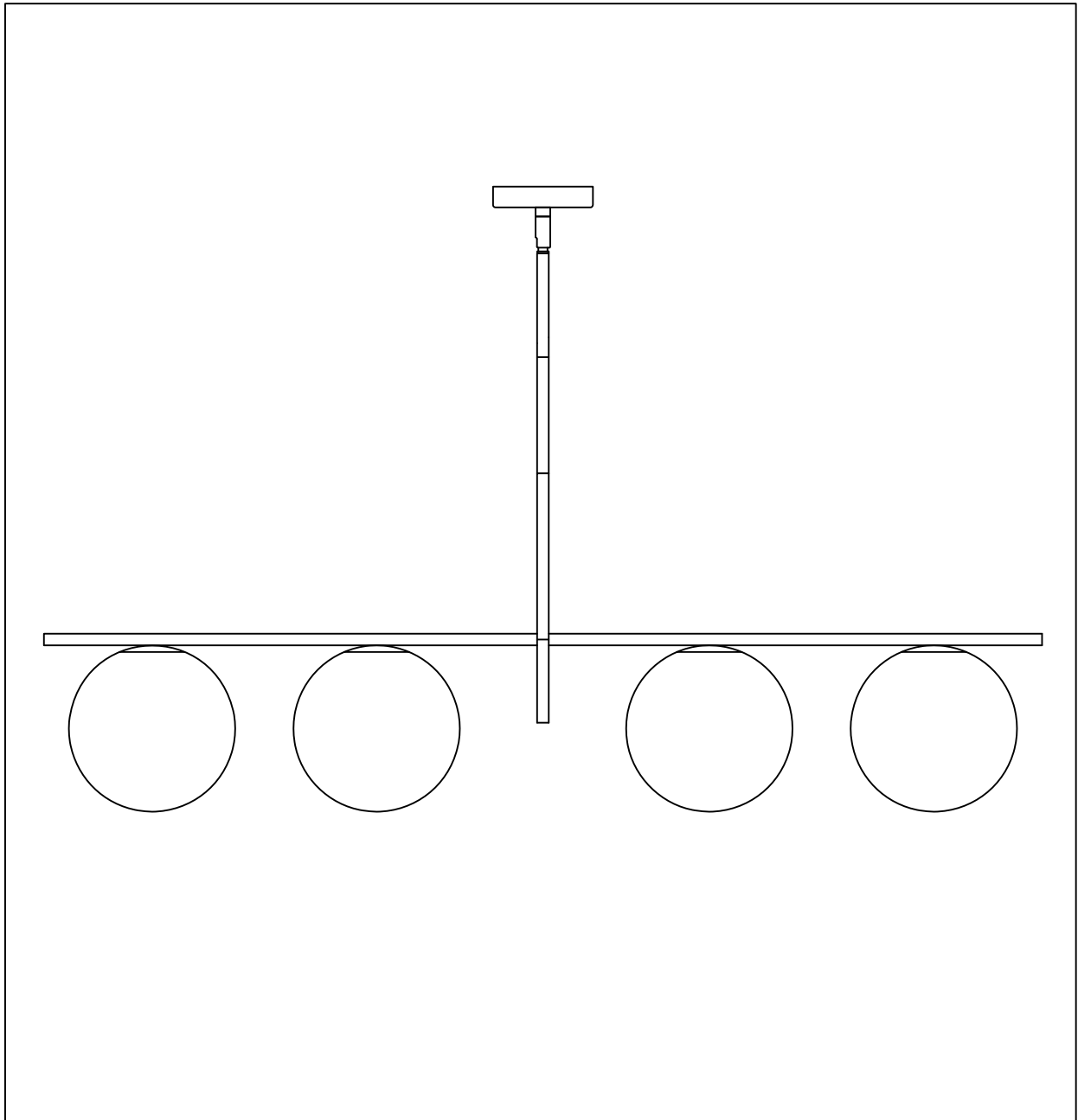




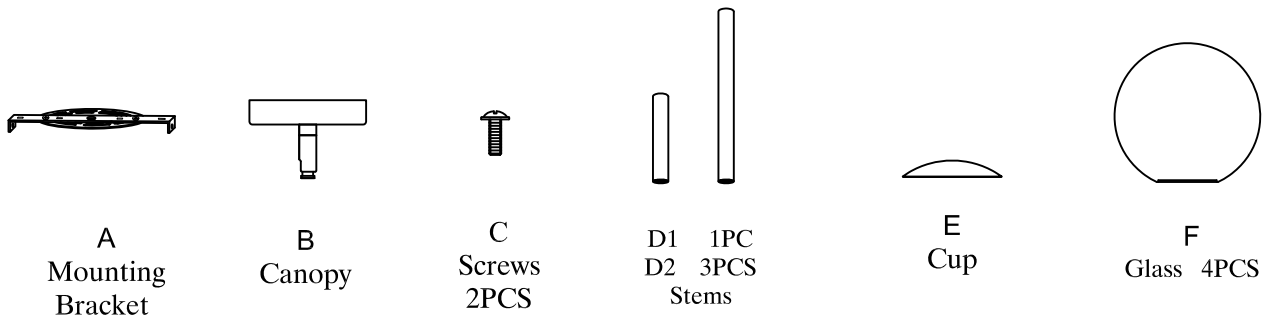
PRODUCT NAME: Vesper  
ITEM NUMBER: 26036SWSBRBK

Please consult your electrician for hanging fixture and wiring.

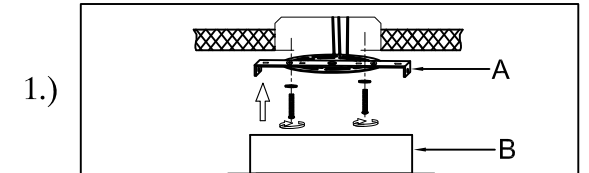
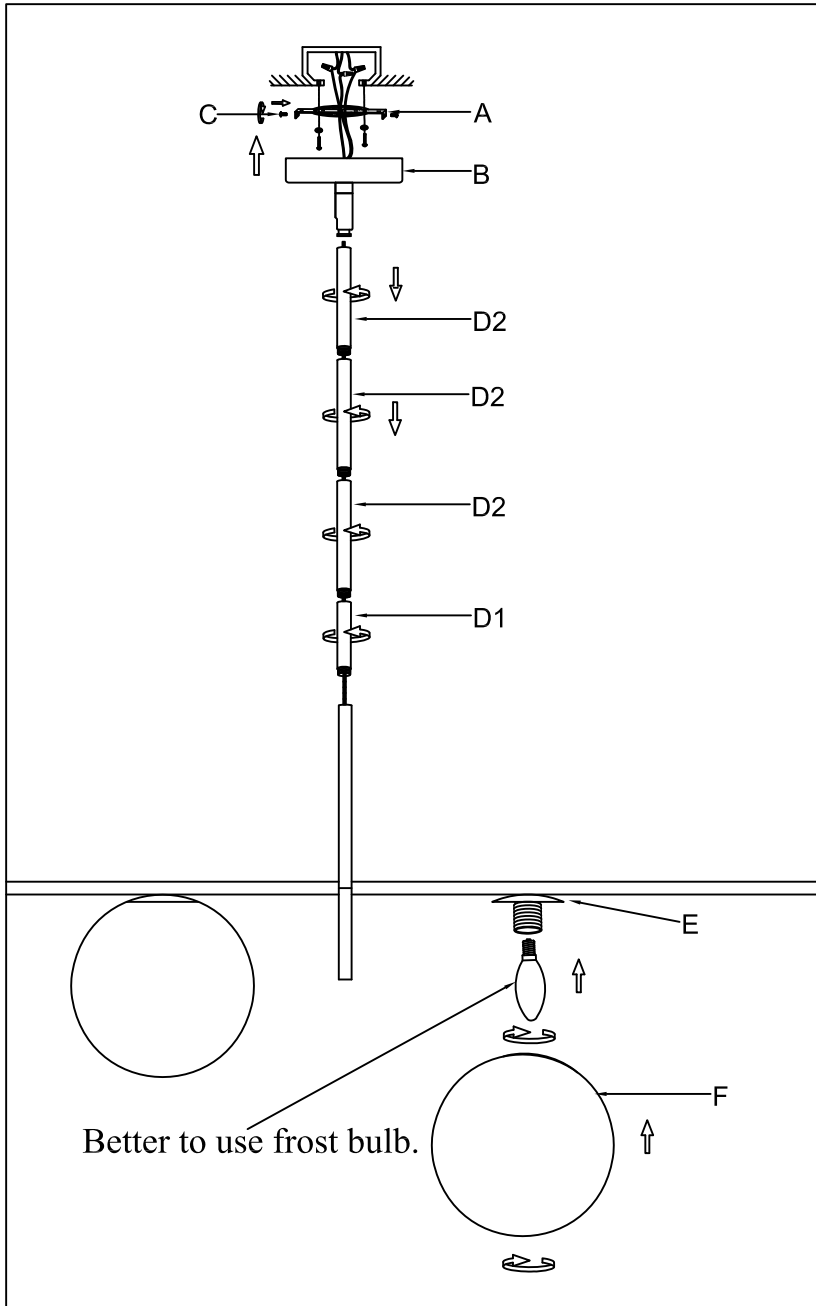


Bulb(Not included): 4 x 60W E12 Candelabra Bulb

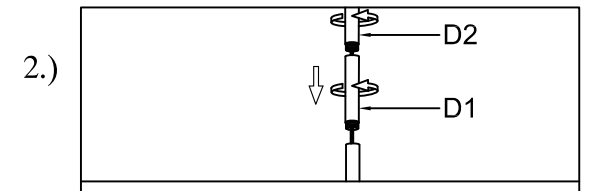
**IMPORTANT:** Turn off the power at the main fuse or circuit breaker box before starting installation



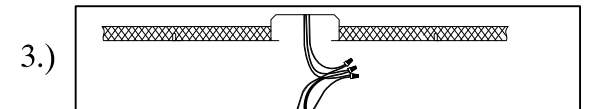
Locate all hardware & components before discarding packaging



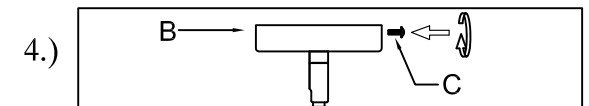
Step 1: Remove mounting bracket (A) from canopy (B) and install to electrical box.



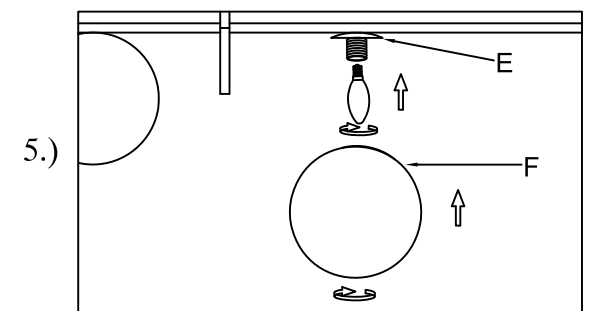
Step 2: Run wire through stem (D) lengths and combine stem lengths to meet desired mounting height. Attach the stem (D) to the body of the fixture.



Step 3: Wire fixture to wires in outlet box. Black wire is positive, white is neutral, bare wire is ground.



Step 4: Install fixture to bracket (A) and tighten screws (C) at the ends of the canopy (B) to secure.



Step 5: Install 60 Watts candelabra base bulb. Then install glass (F) into cup (E).

**Cleaning & Care:**

Clean with soft cloth and a mild detergent.  
 Do not use abrasive cleaner.